

STEP: 1*Assemble Main Piece*

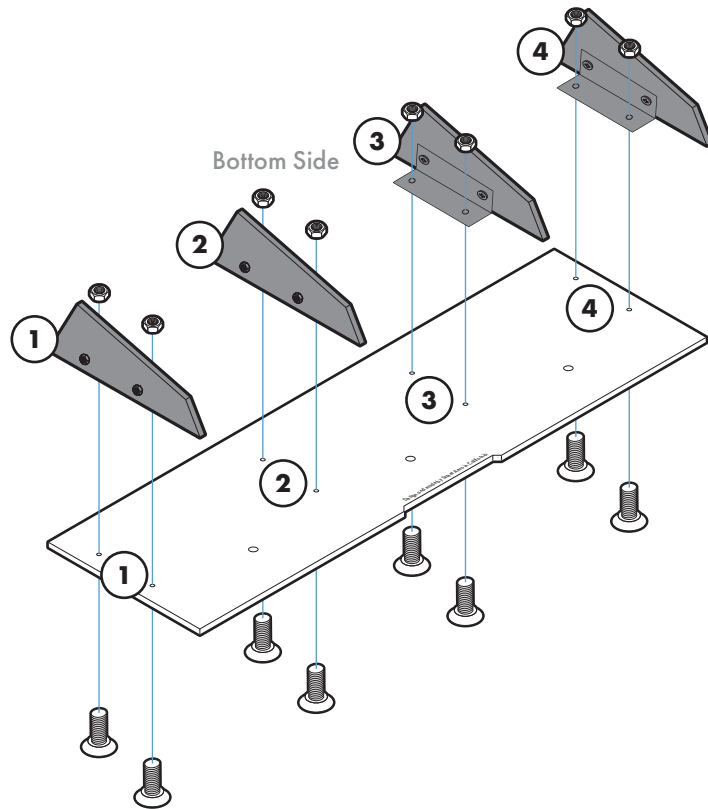
Place the Main Piece upside-down

Carefully place Fin 1, 2, 3, and 4 onto the Main Piece
(Match the number on the Fin to the number on the Main Piece)

Secure with nut and screws

NOTE: To prevent scratches Keep the Fin as straight as possible

NOTE: DO NOT over tighten the nut and bolt

**STEP: 2***Assemble Side Fin*

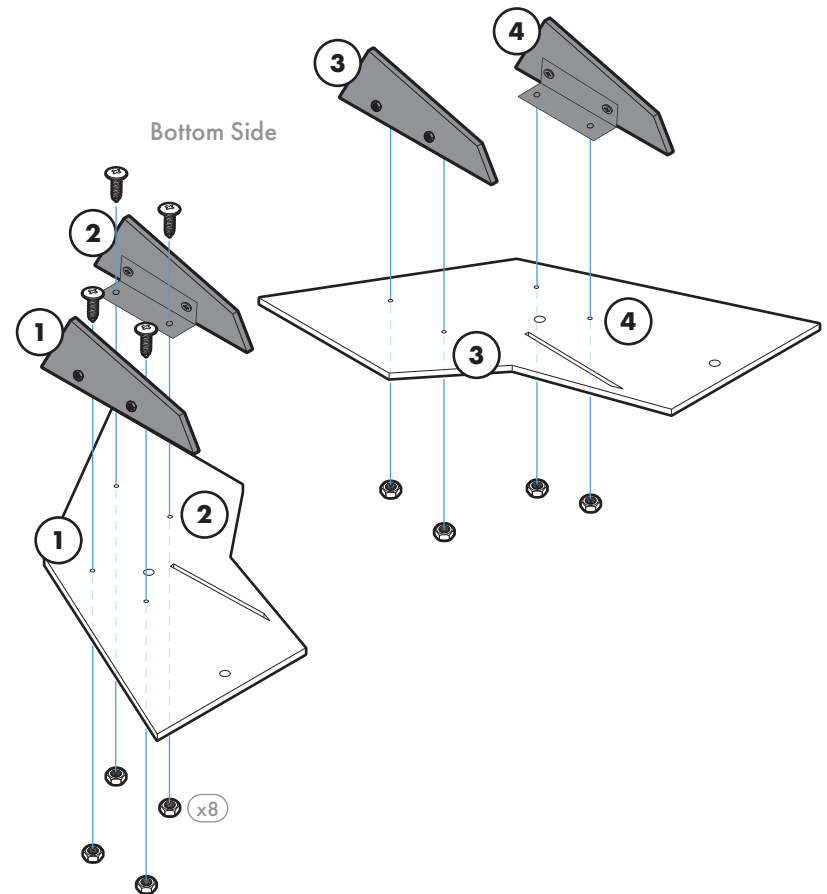
Place both Side Fin upside-down

Carefully place Fin 1 and 2 onto the Driver Side Fin
Carefully place Fin 3 and 4 onto the Passenger Side Fin
(Match the number on the Fin to the number on the Side Fin)

Secure with nut and bolts

NOTE: To prevent scratches Keep the Fin as straight as possible

NOTE: DO NOT over tighten the nut and bolt

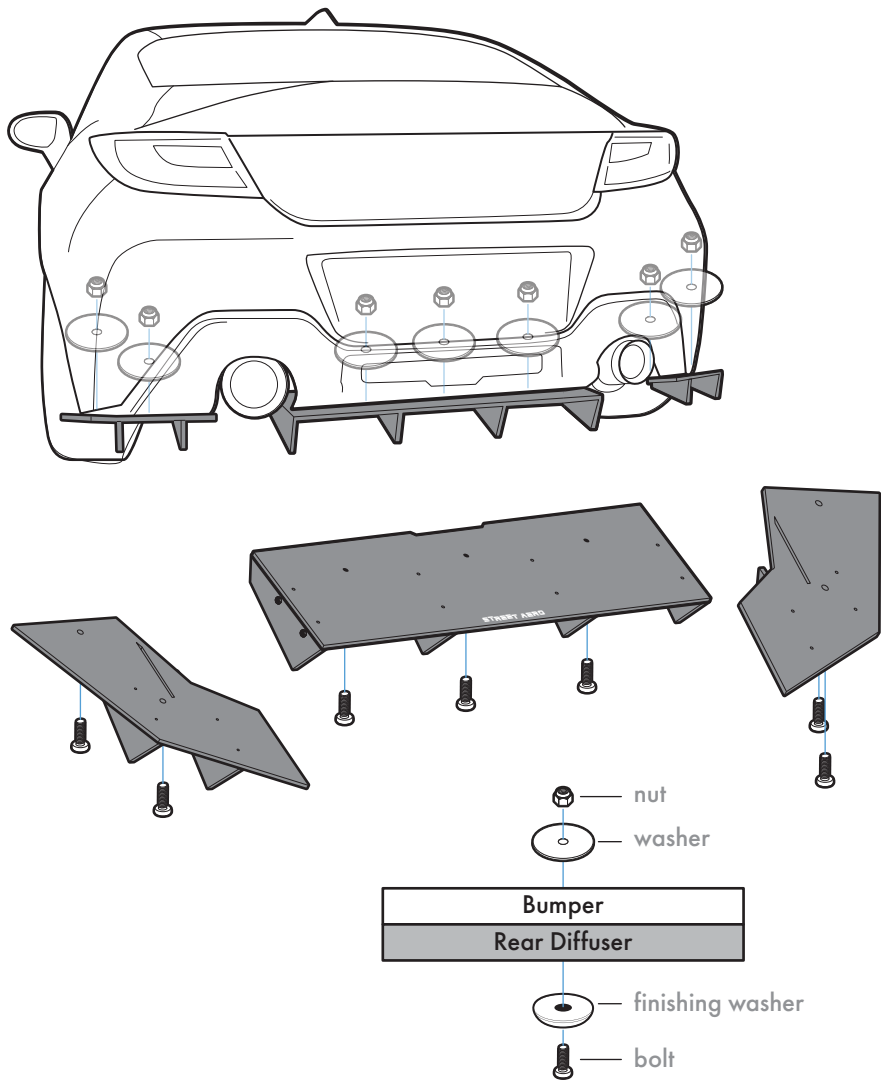


STEP: 3

Assemble Main Piece

Drill through the middle of the Rear Diffuser into the bumper

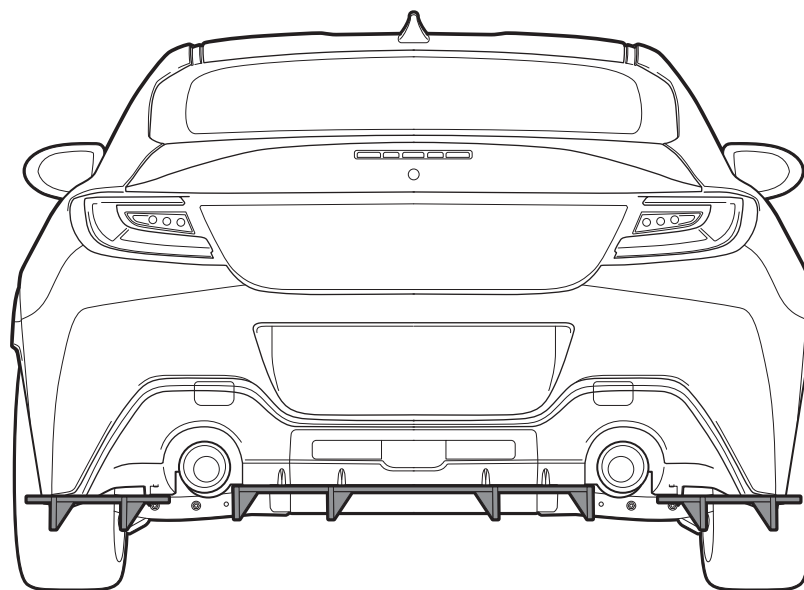
Finish mounting the Rear Diffuser with provided **A Set** hardware



INSTALLATION GUIDE

2022+ Toyota GR86 & Subaru BRZ

ACM Rear Diffuser



s-rda-frs-01 s-rda-frs-03