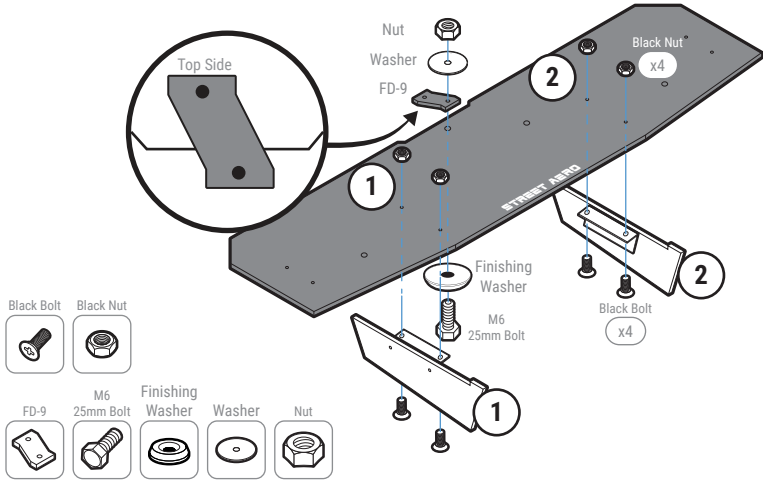


STEP: 1 Assemble Main Piece

Carefully place Fin 1 and Fin 2 onto the Main Piece
(Match the number on the Fin to the number on the Main Piece)

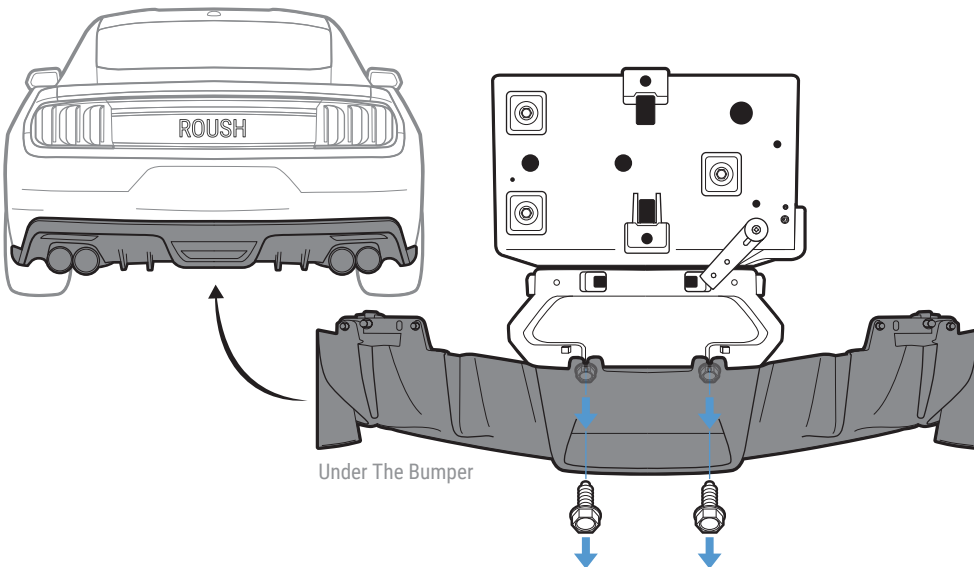
Secure with Black Bolt and Black Nut

Attach and secure Mounting Bracket FD-9 to the Main Panel with provided M6 25mm Bolt, Finishing Washer, Washer, and Nut



STEP: 2 Remove Push Pins

Remove the two OEM Bolts located under the Valence



STEP: 3 Mount Main Panel

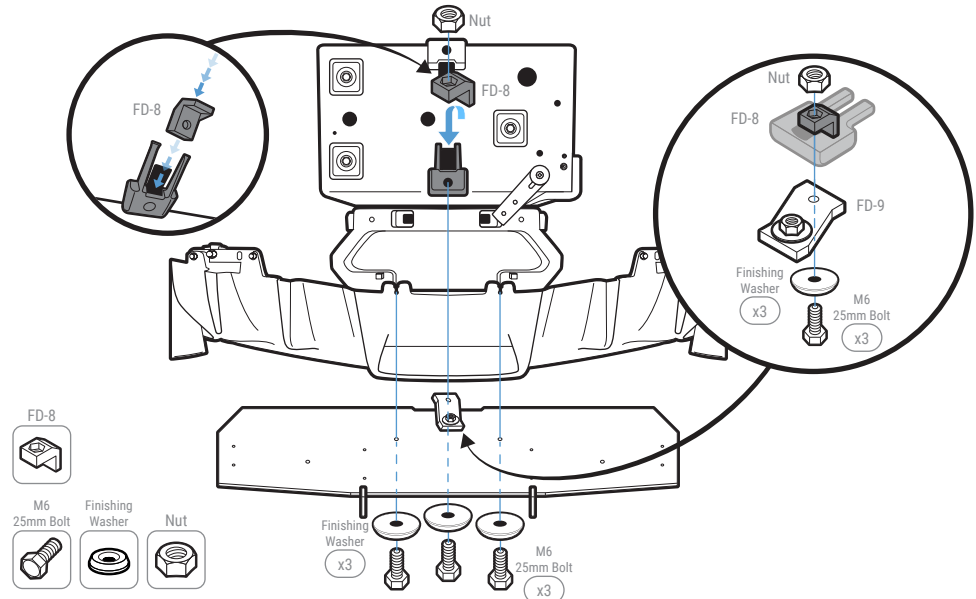
Place Nut into Nut Assist FD-8

NOTE: Push the nut all the way into the socket to prevent it from falling out

Slide Nut Assist FD-8 into designated mounting socket

(shown in the diagram below)

Mount the Main Panel by securing Mounting Bracket FD-9 to the designated mounting socket and OEM mounting holes with M6 25mm Bolt and Finishing Washer



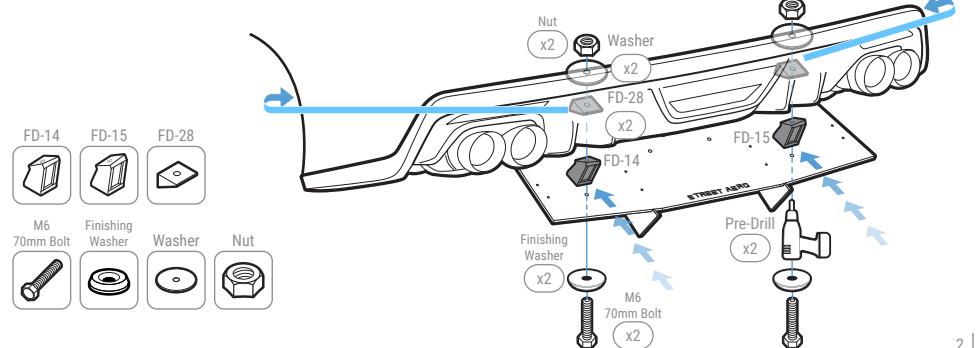
STEP: 4 Continue Mounting Main Panel

Continue mounting the Main Panel to the bumper with Mounting Bracket FD-14 and FD-15

NOTE: Pre-drill by using FD-14 and FD-15 Mounting holes

Secure with M6 70mm Bolt, Finishing Washer, Bevel Spacer FD-28, Washer, and Nut

NOTE: Use the sides near the wheels to place Bevel Spacer FD-28, Washer, and Nut into the bumper



STEP: 5 *Mount the Rear Diffuser*

Attach and secure Mounting Bracket FD-19 to the Side Panel with M6 16mm Bolt, Finishing Washer, and Nut

NOTE: Push the nut all the way into the socket to prevent it from falling out

Attach the Side Panel to the Main Panel

NOTE: Do **Not** tighten Black Bolt on the Side Panel to the Main Panel
(you will need to remove the Side Panel to pre-drill)

Mark where the mounting hole is to the bumper

NOTE: Use the hole on top of FD-18 and FD-19 to mark the drill location
(for Passenger Side use FD-20 and FD-21)

Pre-drill into the bumper

NOTE: Side Panel must be removed before pre-drilling

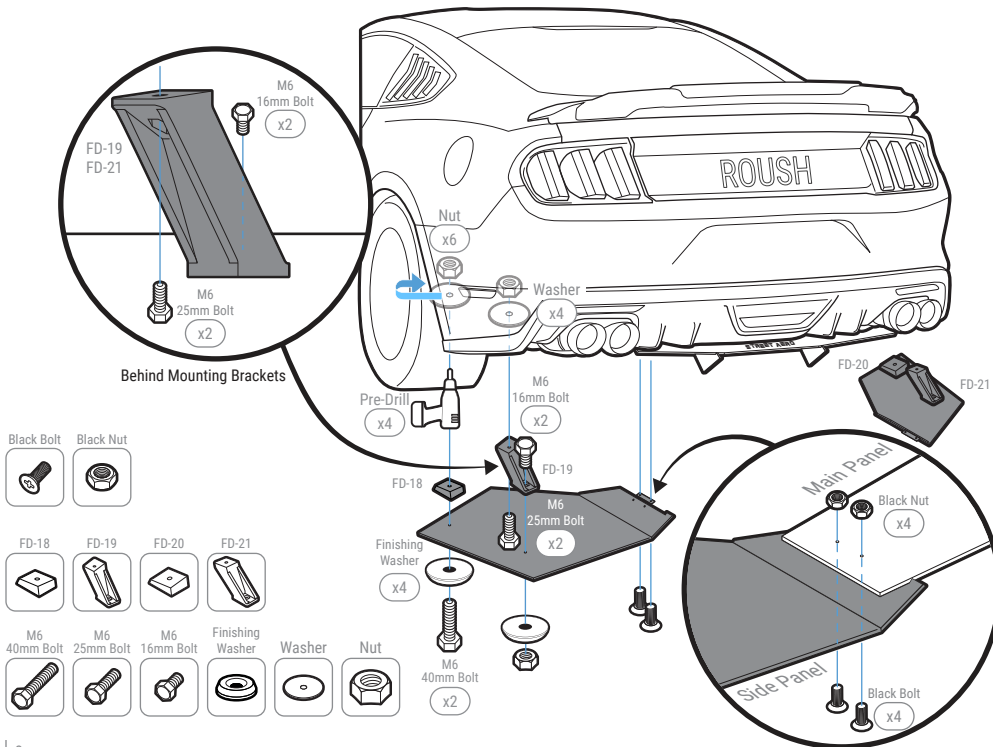
Install the Side Panel to the Main Panel and bumper by securing Mounting Bracket FD-19 with M6 25mm Bolt, Washer, and Nut

NOTE: Use the sides near the wheels to secure the Washer and Nut inside the bumper

Secure Mounting Bracket FD-18 with M6 40mm Bolt, Finishing Washer, Washer, and Nut

NOTE: Use the sides near the wheels to secure the Washer and Nut inside the bumper

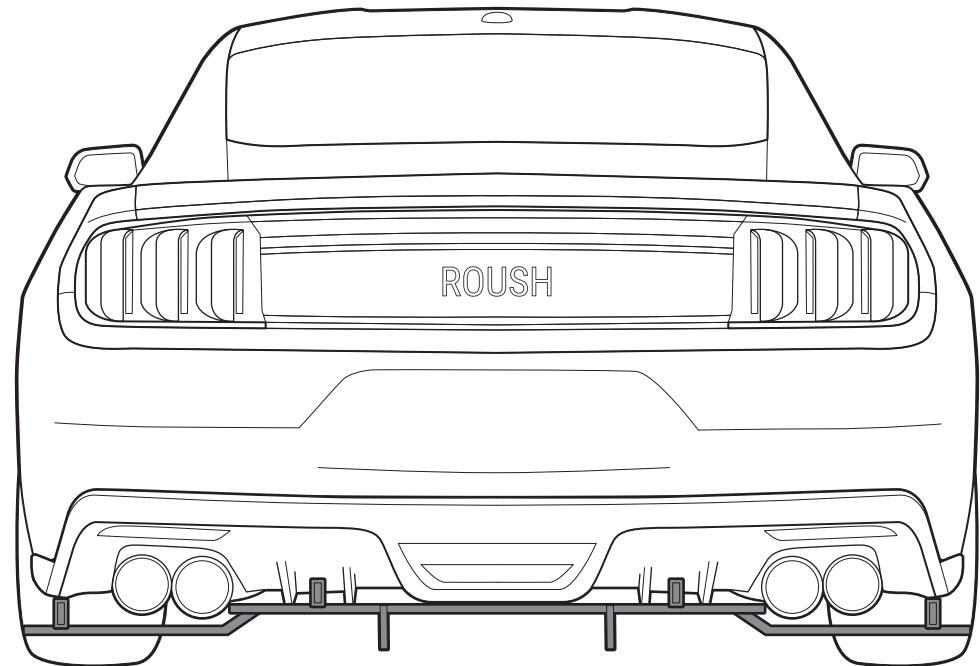
Repeat to install Passenger Side Panel to the Main Panel and bumper



INSTALLATION GUIDE

2015-2017 Ford Mustang (Roush/Roush Rear Valence)

ACM Rear Diffuser



s-rda-frd-06-e1 s-rda-frd-14-e1

www.streetaero.com

info@streetaero.com