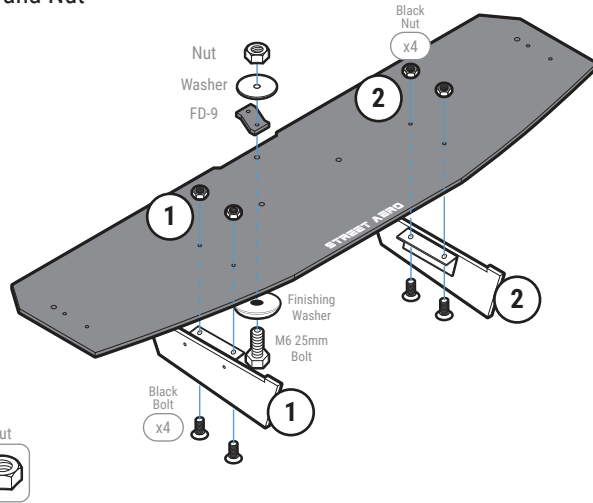


## STEP: 1 Assemble Rear Diffuser

Carefully place Fin 1 and Fin 2 onto the Main Piece  
(Match the number on the Fin to the number on the Main Piece)

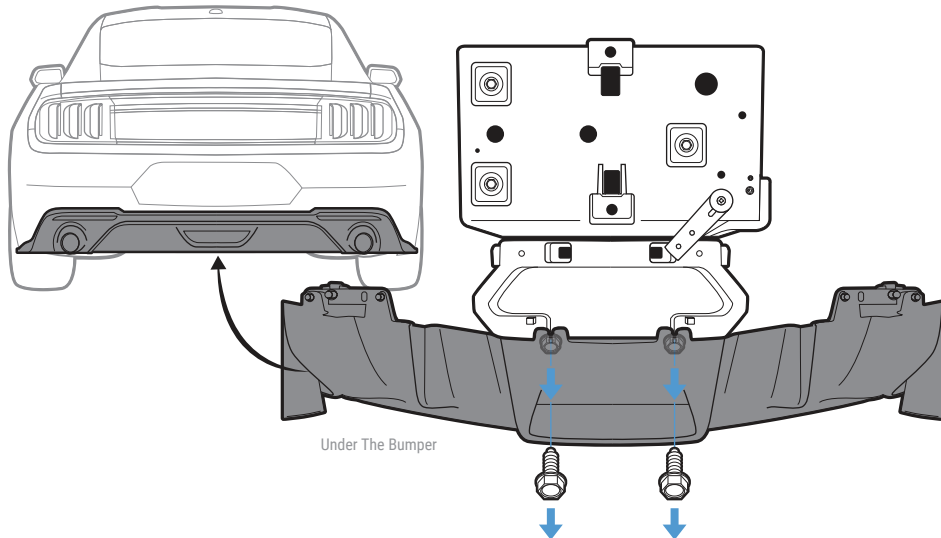
Secure with Black Bolt and Black Nut

Attach and secure Mounting Bracket FD-9 to the Main Panel with provided M6 16mm Bolt, Finishing Washer, Washer, and Nut



## STEP: 2 Remove OEM Bolt

Remove the two OEM Bolt located under the bumper



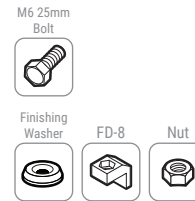
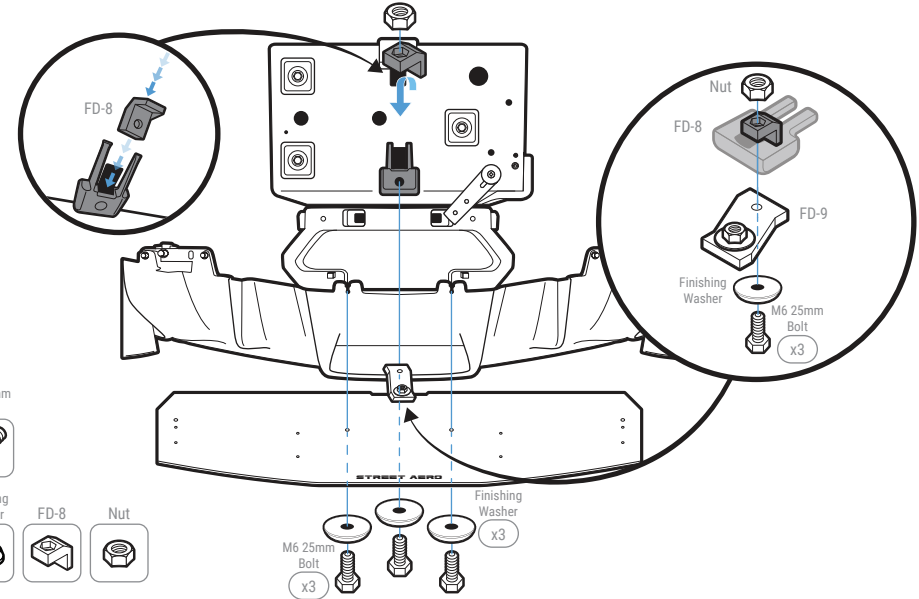
## STEP: 3 Install Mounting Bracket

Place Nut into Nut Assist FD-8

**NOTE:** Push the nut all the way into the socket to prevent it from falling out

Slide Nut Assist FD-8 into designated mounting socket  
(shown in the diagram below)

Mount the Main Panel by securing Mounting Bracket FD-9 to the designated mounting socket. Use M6 25mm Bolt, Finishing Washer, and Nut for OEM mounting holes

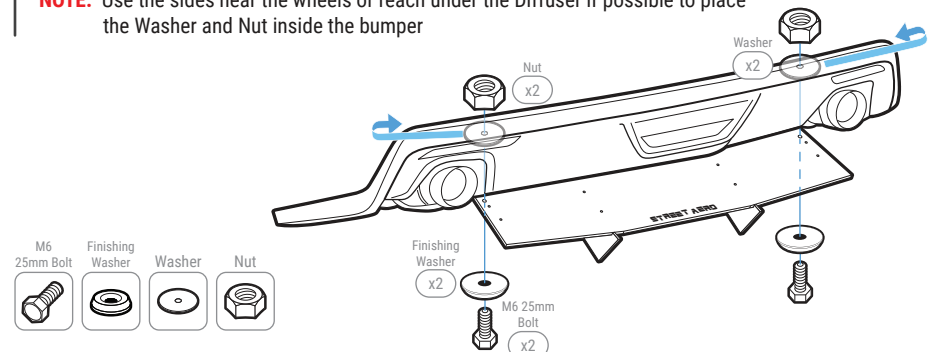


## STEP: 4 Mount Main Panel

Align the Main Panel to the bumper and Pre-Drill where the mounting holes are located

Secure the Main Panel to the bumper with provided M6 25mm Bolt, Finishing Washer, Washer, and Nut

**NOTE:** Use the sides near the wheels or reach under the Diffuser if possible to place the Washer and Nut inside the bumper



**STEP: 5** *Mount the Rear Diffuser*

Attach and secure Mounting Bracket FD-54 and FD-55 to the Side Panel with M6 16mm Bolt, Finishing Washer, and Nut

**NOTE:** Push the bolt all the way into the socket to prevent it from falling out

Attach the Side Panel to the Main Panel with Black Bolt and Black Nut

**NOTE:** Do Not tighten screws on the Side Panel to the Main Panel  
*(you will need to remove the Side Panel to pre-drill)*

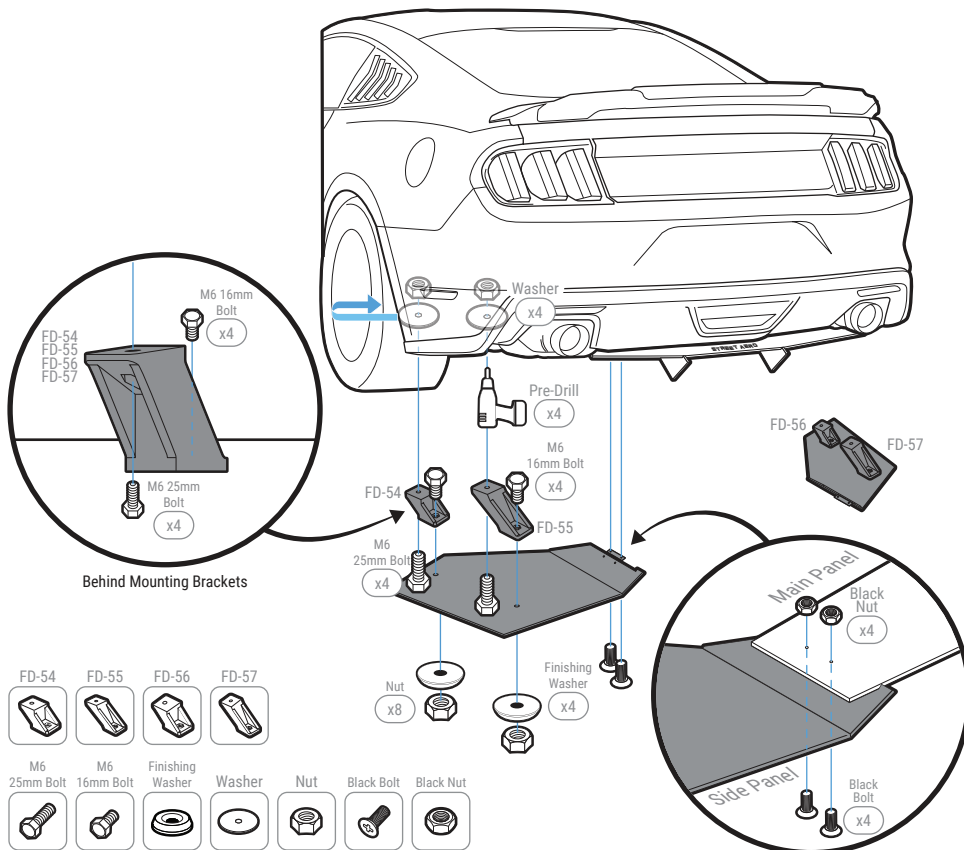
Mark and pre-drill where Mounting Bracket FD-54 and FD-55 would be mounted to the bumper

**NOTE:** Use the hole on top of Mounting Bracket to mark the drill location  
*(Side Panel may need to be removed before pre-drilling)*

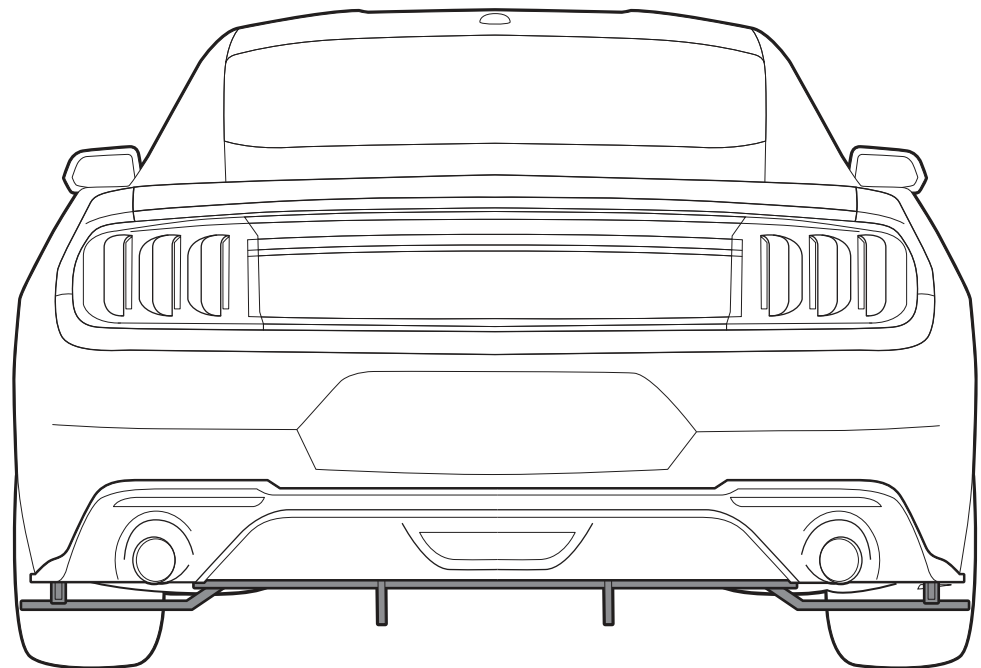
Install the Side Panel to the Main Panel and Bumper by securing Mounting Bracket FD-54 and FD-55 with provided M6 25mm Bolt, Washer, and Nut

**NOTE:** Use the sides near the wheels to secure the Washer and Nut inside the bumper

Repeat to install Passenger Side Panel to the Main Panel and Bumper



**INSTALLATION GUIDE**  
**2015-2017 Ford Mustang V6**  
**ACM Rear Diffuser**



s-rda-frd-17-e1

www.streetaero.com

info@streetaero.com