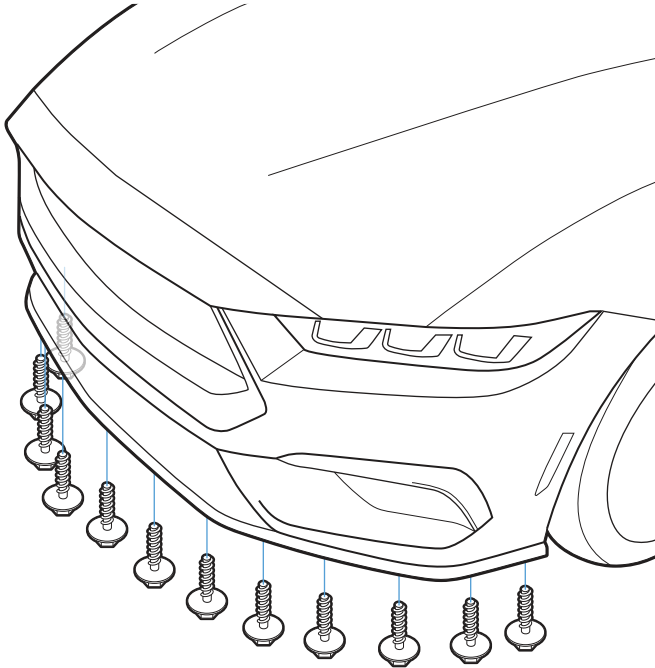


**STEP: 1** Remove OEM Washer Bolt

Remove the 12 OEM Washer Bolt located under the front bumper

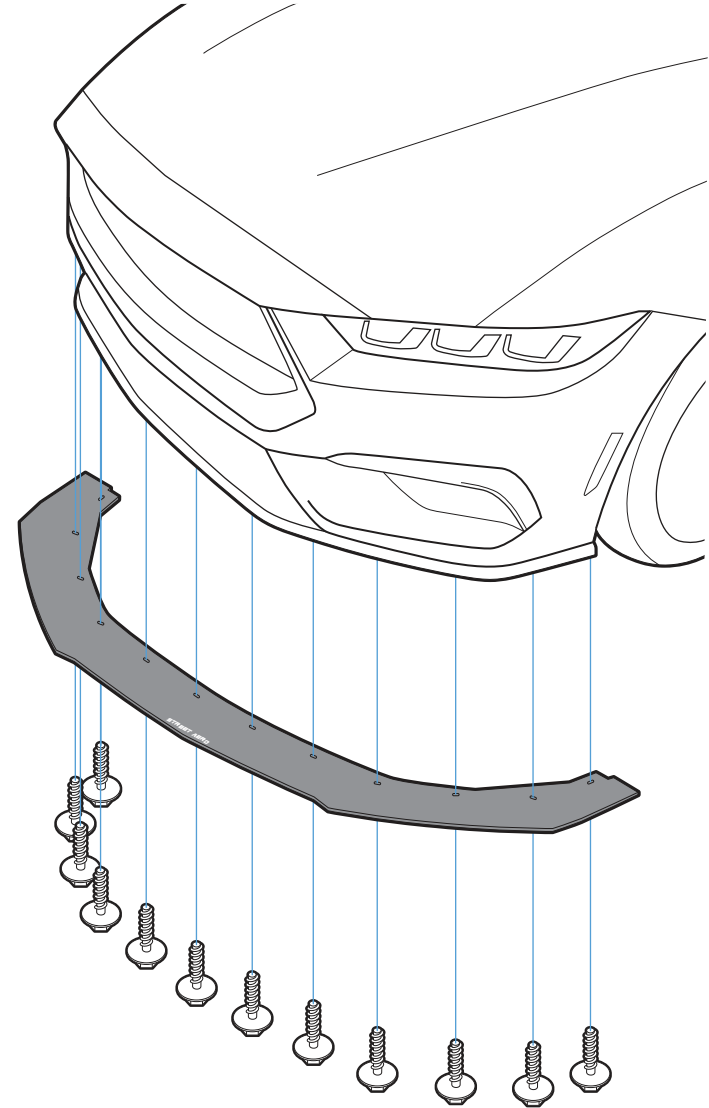
**IMPORTANT:** The 12 OEM Washer Bolt will be needed to mount and install the Front Splitter



**STEP: 3** Mount Front Splitter

Align and position the Front Splitter to the bumper

Secure the Front Splitter to the bumper by re-attaching the OEM Washer Bolt through the Front Splitter to the OEM mounting location

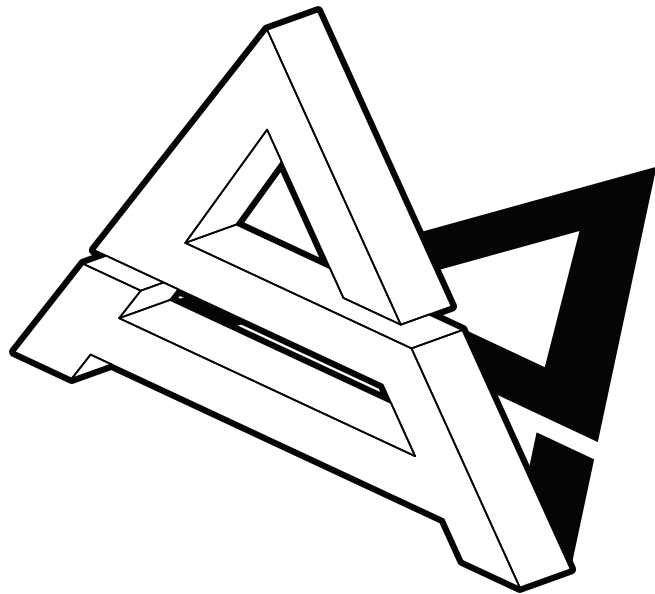


**DISCLAIMER:**

Splitter Rods (**not included**) is recommended for high speed use

# THANK YOU

Thank you for trusting in our brand. We design these products with you in mind. We hope you love it as much as we do! Welcome to the Street Aero family!



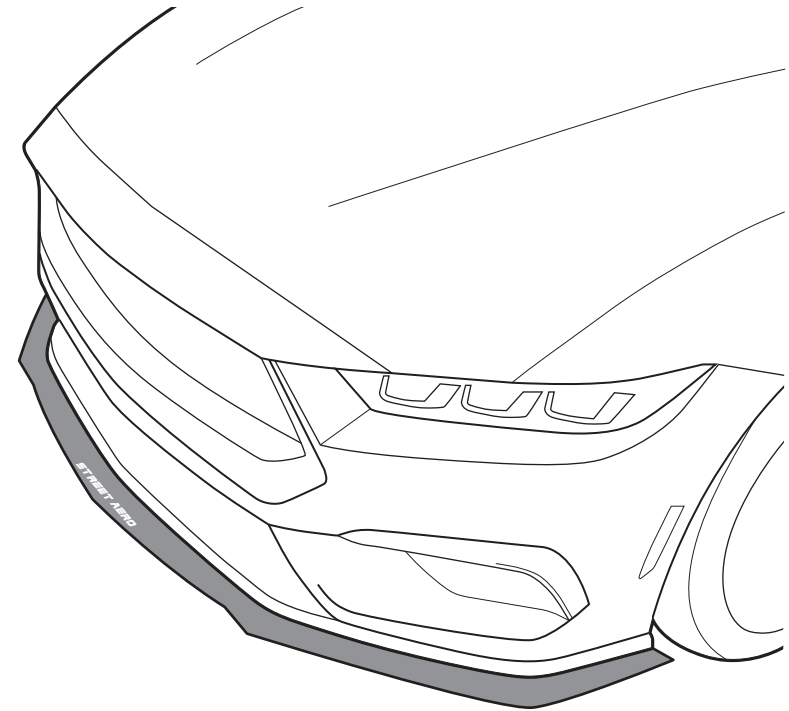
STREET AERO



## INSTALLATION GUIDE

2024 Ford Mustang

ACM Front Splitter



s-fsa-frd-14

[www.streetaero.com](http://www.streetaero.com)

[info@streetaero.com](mailto:info@streetaero.com)