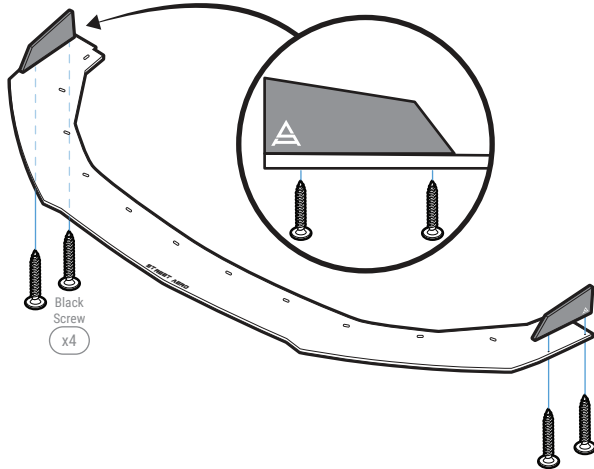


STEP: 1 Attach Front Splitter Fins

Carefully place Front Splitter Fin onto the Front Splitter
(Logo should face outwards)

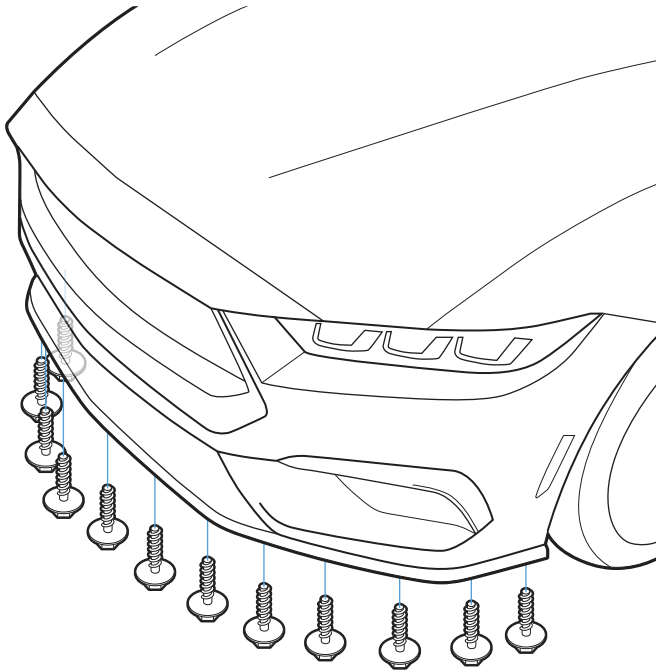
Secure with Black Screw



STEP: 2 Remove OEM Washer Bolt

Remove the 12 OEM Washer Bolt located under the front bumper

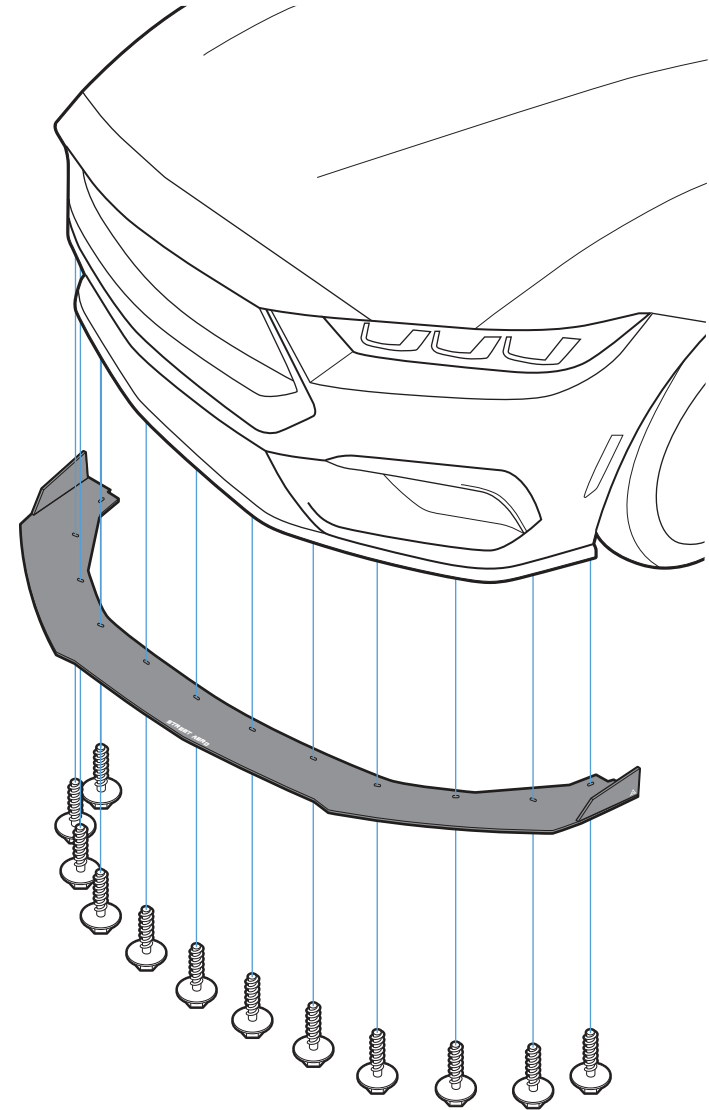
IMPORTANT: The 12 OEM Washer Bolt will be needed to mount and install the Front Splitter



STEP: 3 Mount Front Splitter

Align and position the Front Splitter to the bumper

Secure the Front Splitter to the bumper by re-attaching the OEM Washer Bolt through the Front Splitter to the OEM mounting location

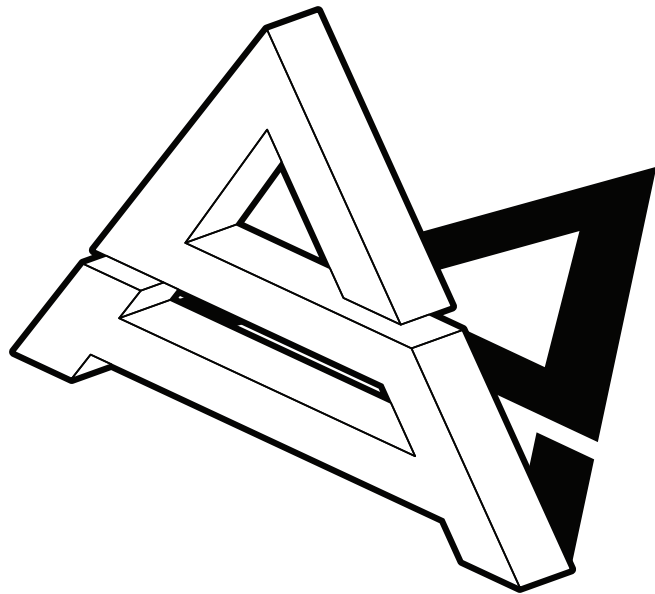


DISCLAIMER:

Splitter Rods (**not included**) is recommended for high speed use

THANK YOU

Thank you for trusting in our brand. We design these products with you in mind. We hope you love it as much as we do! Welcome to the Street Aero family!



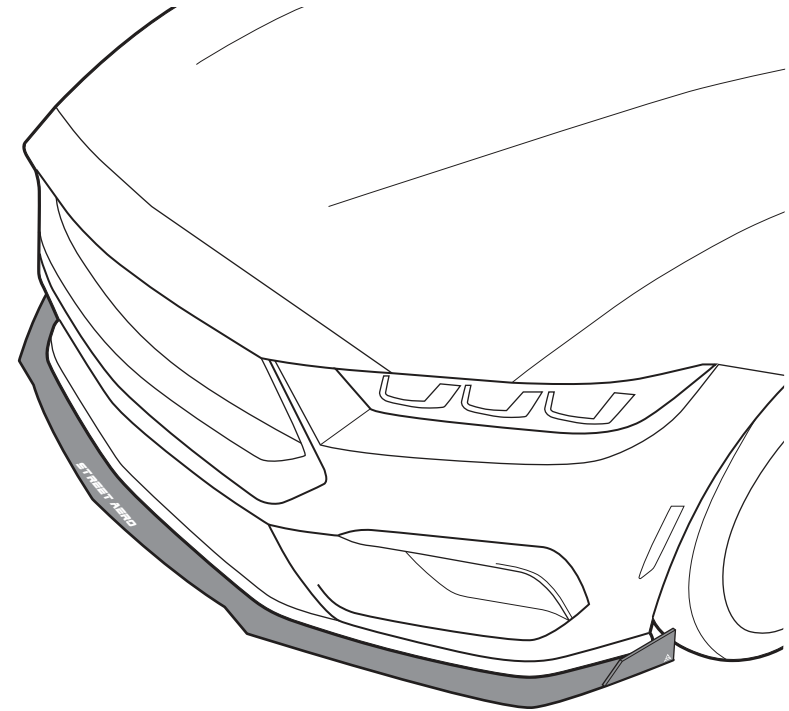
STREET AERO



INSTALLATION GUIDE

2024 Ford Mustang

ACM Front Splitter (With Fins)



s-fsa-frd-14-fin
(With Fins)

www.streetaero.com

info@streetaero.com