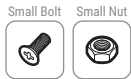
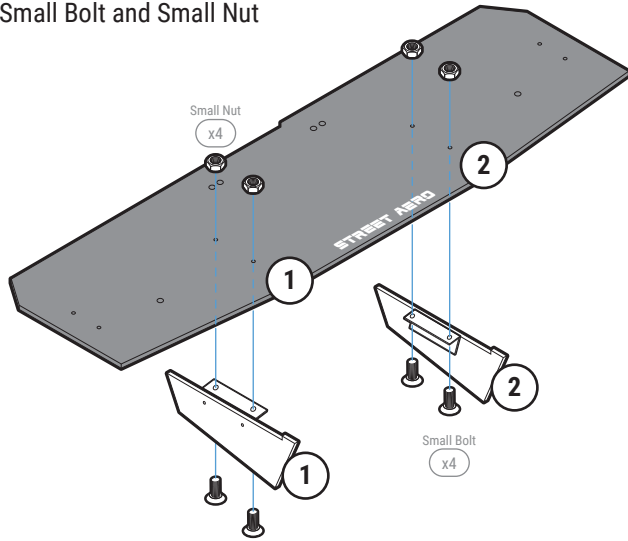


STEP: 1 Assemble Main Panel

Carefully place Fin 1 and Fin 2 onto the Main Piece
(Match the number on the Fin to the number on the Main Piece)

Secure with Small Bolt and Small Nut



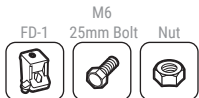
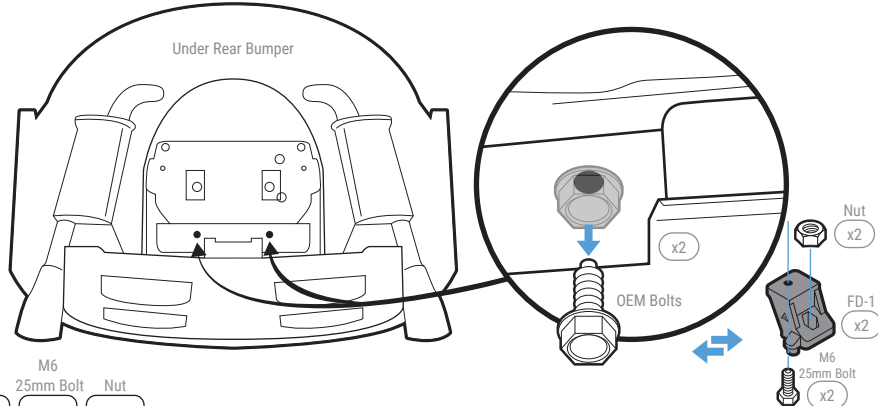
STEP: 2 Replace OEM Bolts

Remove the (2) hex head OEM bolts located under the bumper

Place Nut into both Mounting Bracket FD-1

NOTE: Push the nut all the way into the socket to prevent it from falling out

Attach and secure both Mounting Bracket FD-1 to the OEM hole with M6 25mm Bolt



STEP: 3 Mount Main Panel

Align the assembled Main Panel to the bumper by slotting Mounting Bracket FD-1 into the Main Panel

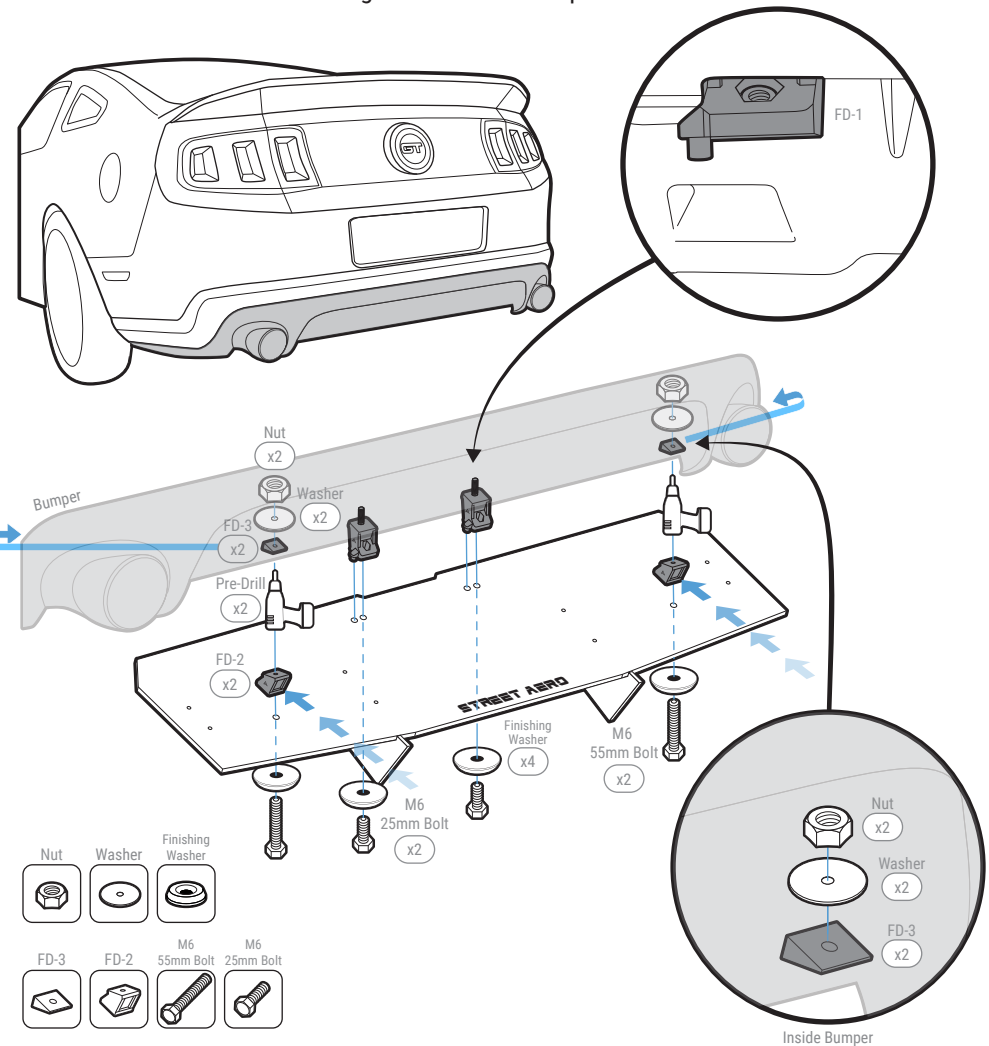
Secure Main Panel to Mounting Bracket FD-1 with provided M6 25mm Bolt and Finishing Washer

Slide Mounting Bracket FD-2 between the bumper and Main Panel

Mark and pre-drill through the Main Panel and bumper

NOTE: Use the hole on top of Mounting Bracket FD-2 to mark the drill location

Secure Main Panel to Mounting Bracket FD-2 with provided M6 55mm bolt



IMPORTANT: DO NOT over tighten or use power tools to mount the Mounting Brackets

STEP: 4*Mount the Rear Diffuser*

Attach and secure Mounting Bracket FD-4 and FD-5 to the Driver Side Panel with provided M6 16mm Bolt, Finishing Washer, and Nut

Attach the Side Panel to the Main Panel with Small Bolt and Small Bolt
Mark where the mounting hole is to the bumper

NOTE: Use the hole on top of FD-4 and FD-5 to mark the drill location

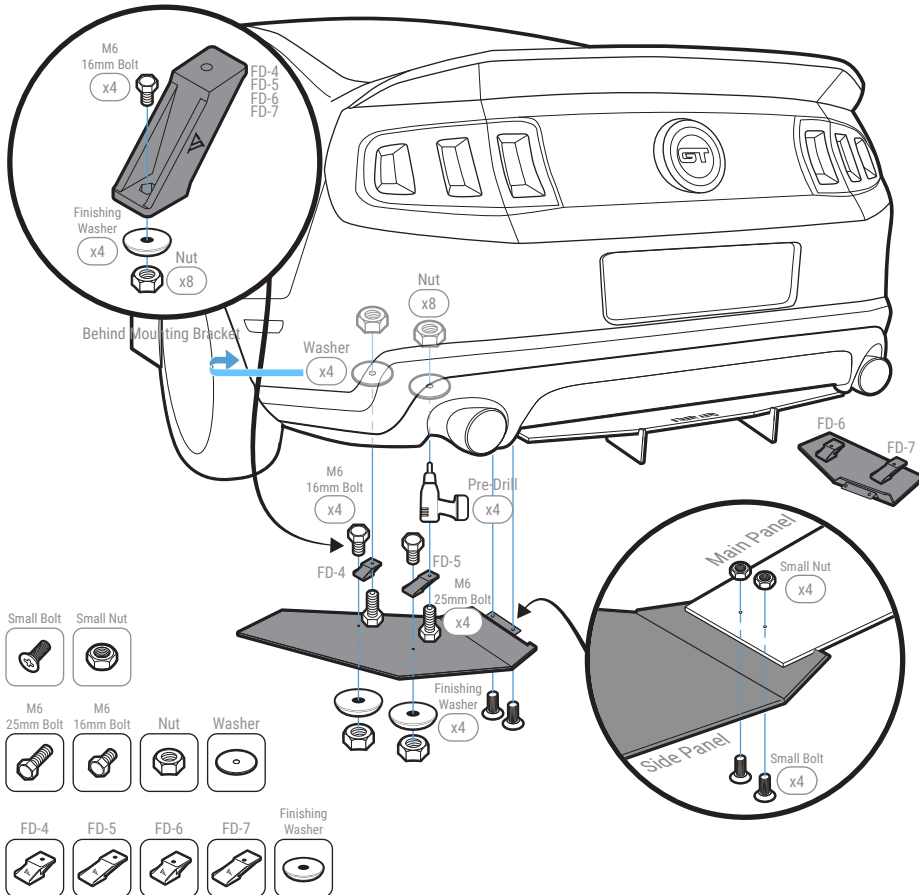
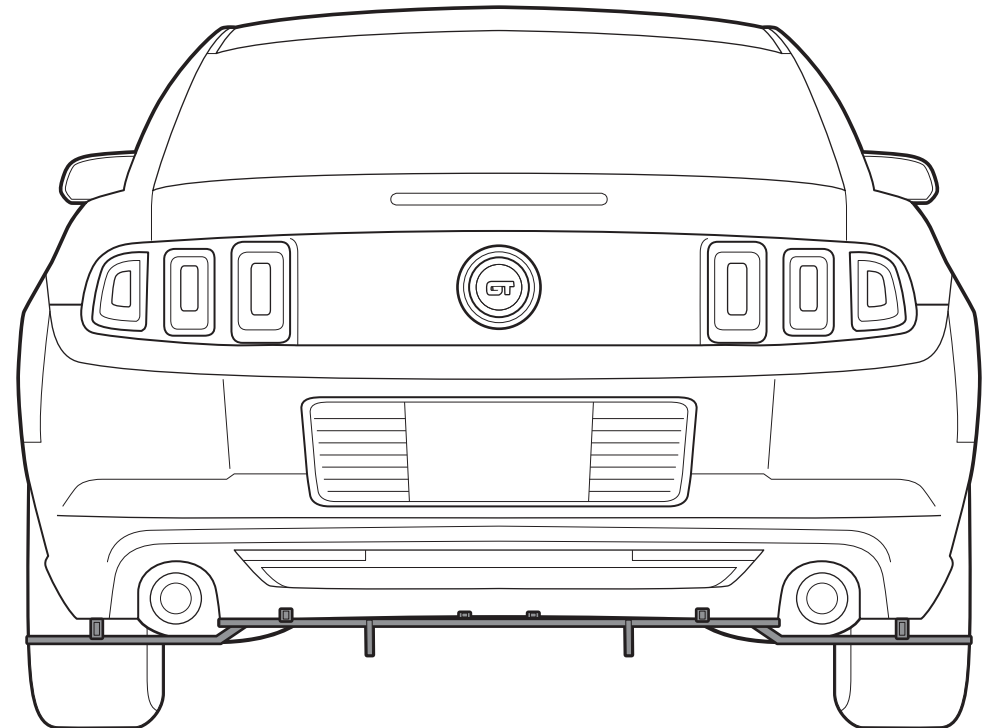
Pre-drill into the bumper

NOTE: Side Panel may need to be removed before pre-drilling

Install the Side Panel to the Main Panel and Bumper with provided M6 25mm Bolt, Washer, and Nut

NOTE: Use the sides near the wheels to secure the Washer and Nut inside the bumper

Repeat to install Passenger Side Panel to the Main Panel and bumper

**INSTALLATION GUIDE****2013-2014 Ford Mustang****ACM Rear Diffuser**

s-rda-frd-11-e1

www.streetaero.com

info@streetaero.com

