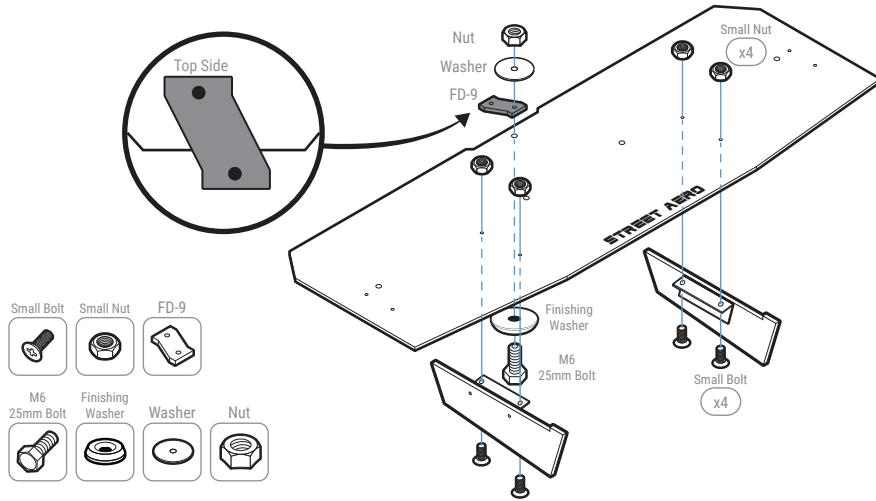


STEP: 1 Assemble Rear Diffuser

Carefully place Fin 1 and Fin 2 onto the Main Panel
(Match the number on the Fin to the number on the Main Panel)

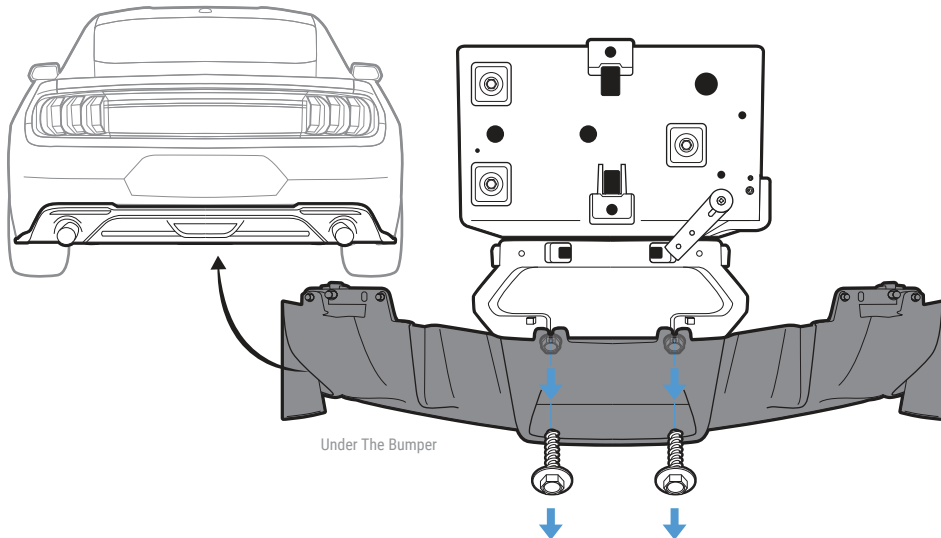
Secure with Small Bolt and Small Nut

Attach and secure Mounting Bracket FD-9 to the Main Panel with provided M6 25mm Bolt, Finishing Washer, Washer, and Nut



STEP: 2 Remove OEM Bolt

Remove the two OEM Bolt located under the bumper



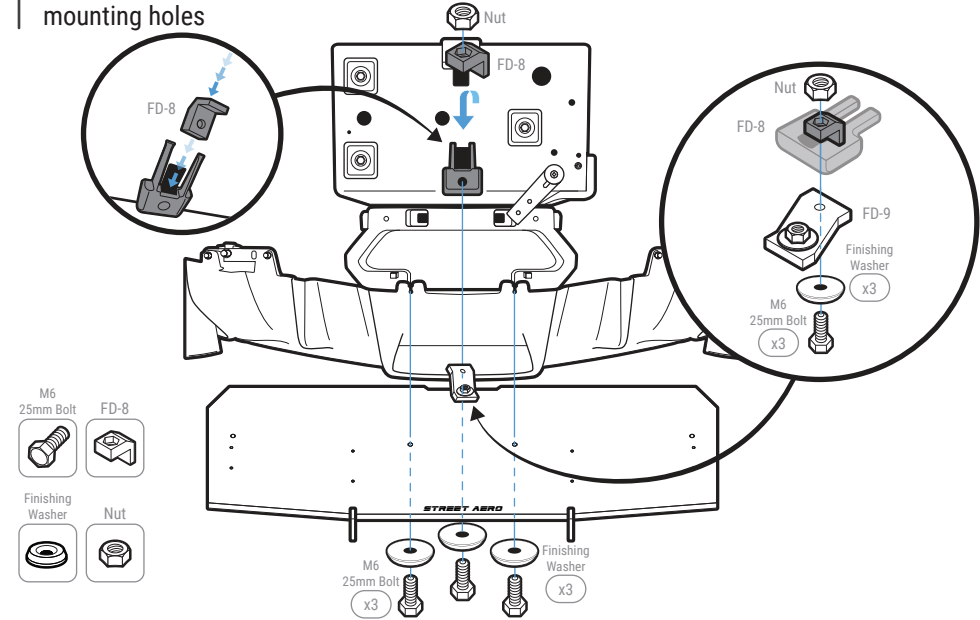
STEP: 3 Install Mounting Bracket

Place Nut into Nut Assist FD-8

NOTE: Push the nut all the way into the socket to prevent it from falling out

Slide Nut Assist FD-8 into designated mounting socket
(shown in the diagram below)

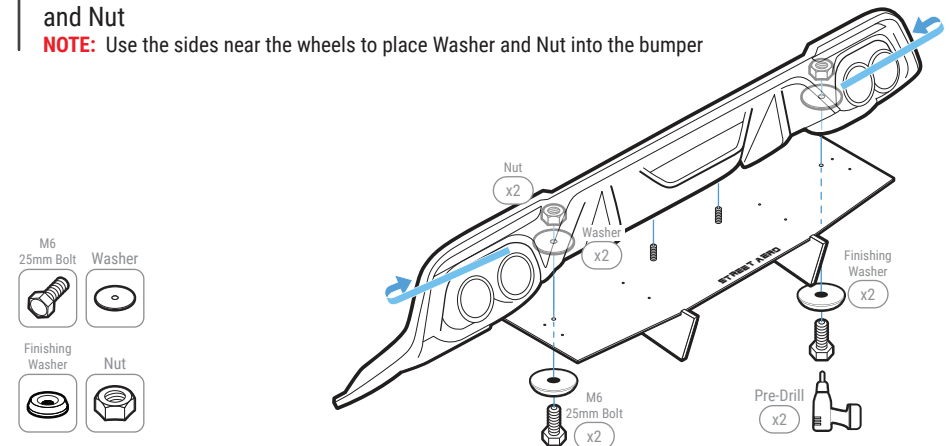
Mount the Main Panel by securing Mounting Bracket FD-9 to the designated mounting socket with M6 25mm Bolt, Finishing Washer, and Nut. Repeat for **STEP: 2** OEM mounting holes



STEP: 4 Mount Main Panel

Mount the Main Panel to the bumper with M6 25mm Bolt, Finishing Washer, Washer, and Nut

NOTE: Use the sides near the wheels to place Washer and Nut into the bumper



! IMPORTANT: DO NOT over tighten or use power tools to mount the Mounting Brackets

STEP: 5 Mount the Rear Diffuser

Attach and secure Mounting Bracket FD-38 and FD-39 to the Side Panel with 16mm M6 Bolt, Finishing Washer, and Nut

NOTE: Push the nut all the way into the socket to prevent it from falling out

Attach the Side Panel to the Main Panel with Small Bolt and Small Nut

NOTE: Do Not tighten Small Bolt on the Side Panel to the Main Panel
(you will need to remove the Side Panel to pre-drill)

Mark where the mounting hole is to the bumper

NOTE: Use the hole on top of FD-38 and FD-39 to mark the drill location
(for Passenger Side use FD-40 and FD-41)

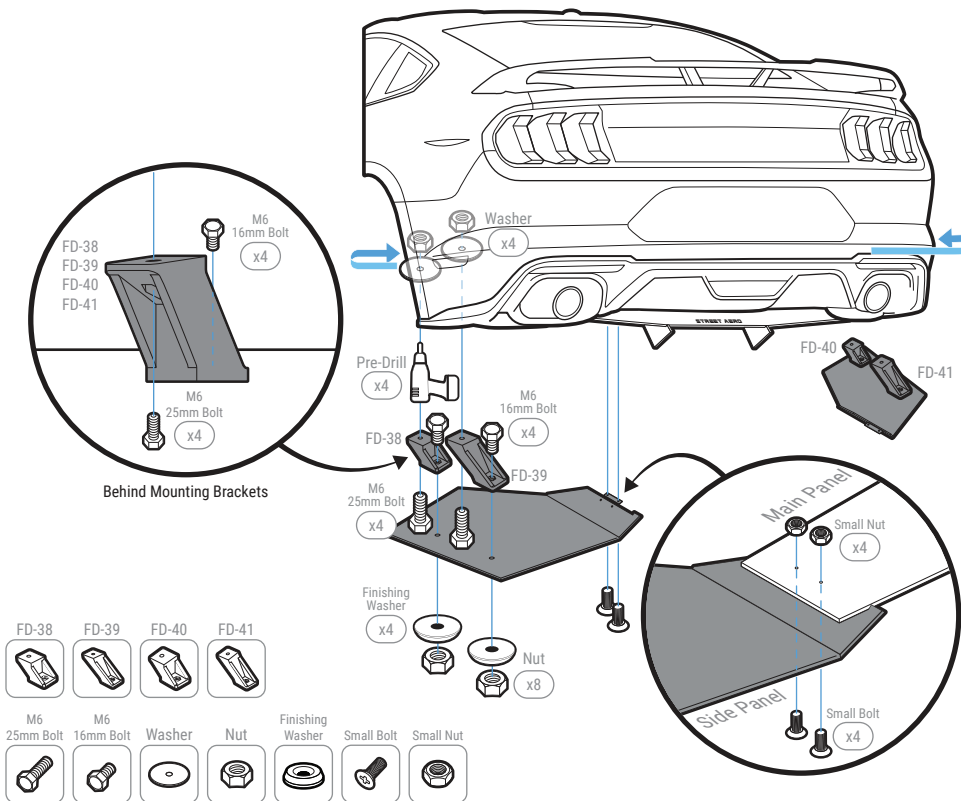
Pre-drill into the bumper

NOTE: Side Panel may need to be removed before pre-drilling

Install the Side Panel to the Main Panel and bumper by securing Mounting Bracket FD-38 and FD-39 with M6 25mm Bolt, Washer, and Nut

NOTE: Use the sides near the wheels to secure the Washer and Nut inside the bumper

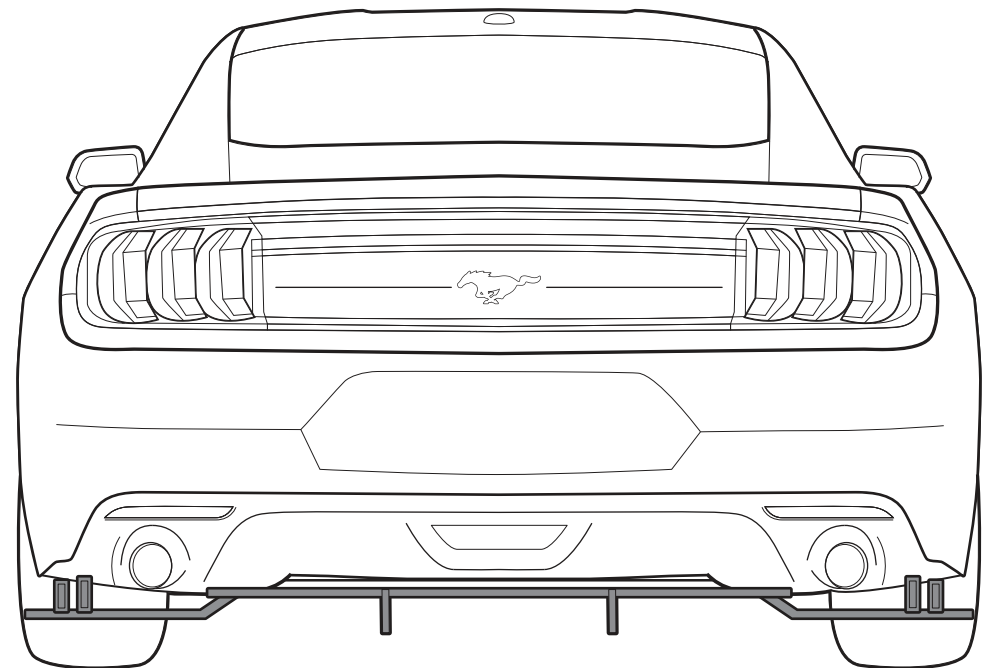
Repeat to install Passenger Side Panel to the Main Panel and bumper



INSTALLATION GUIDE

2018-2023 Ford Mustang (EcoBoost)

ACM Rear Diffuser



s-rda-frd-08-e1

www.streetaero.com

info@streetaero.com