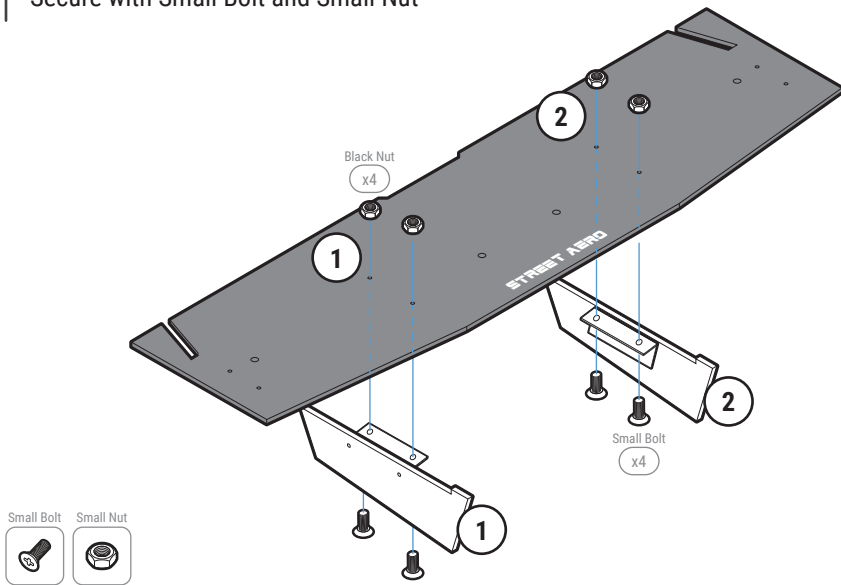


### STEP: 1 Assemble Rear Diffuser

Carefully place Fin 1 and Fin 2 onto the Main Panel  
(Match the number on the Fin to the number on the Main Panel)

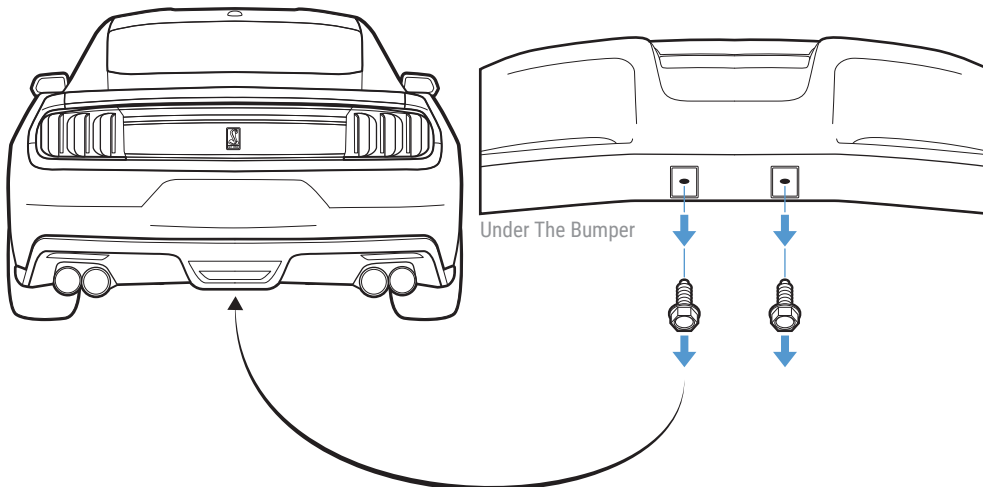
Secure with Small Bolt and Small Nut



### STEP: 2 Remove OEM Bolts

Remove the two OEM Bolts located under the bumper

**NOTE:** (Mark where the OEM Bolts are located this is where the Main Panel will be mounted)



### STEP: 3 Install Main Panel

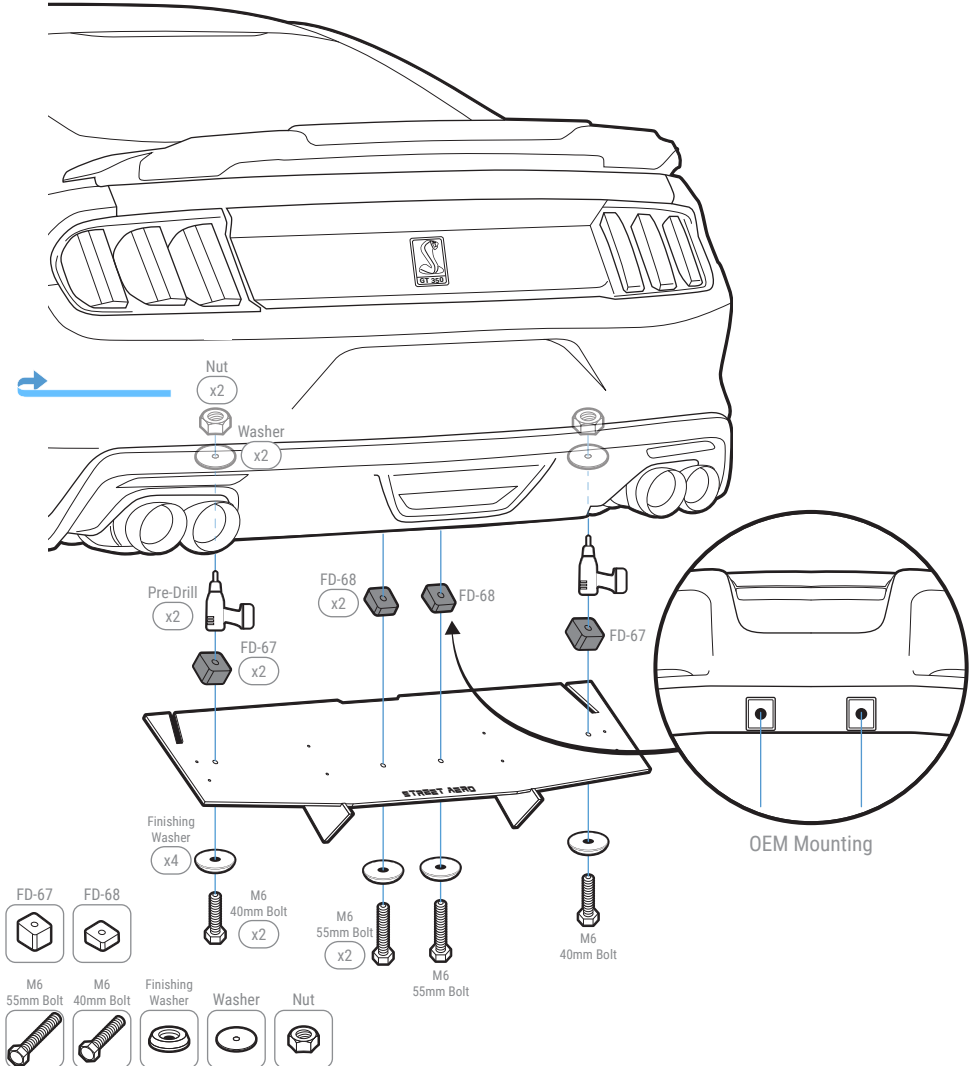
Use the OEM mounting holes from "STEP: 2" to mount the assembled Main Panel to the bumper by securing both Mounting Bracket FD-68 with provided M6 55mm Bolt and Finishing Washer

Mark and pre-drill where both Mounting Bracket FD-67 would be mounted to the bumper

**NOTE:** Use the hole on top of Mounting Bracket FD-67 to mark the drill location  
(Main Panel may need to be removed before pre-drilling)

Attach and secure both Mounting Bracket FD-67 to the Main Panel with M6 40mm Bolt, Finishing Washer, Washer and Nut

**NOTE:** Reach behind or on the side near the wheel to secure the bolts with washer and nut



**IMPORTANT: DO NOT** over tighten or use power tools to mount the Mounting Brackets

## STEP: 4 Mount the Rear Diffuser

Attach and secure Mounting Bracket FD-69 and FD-70 to the Side Panel with M6 16mm Bolt, Finishing Washer, and Nut

**NOTE:** Push the nut all the way into the socket to prevent it from falling out

Attach the Side Panel to the Main Panel

**NOTE:** Do Not tighten Bolts on the Side Panel to the Main Panel  
(you will need to remove the Side Panel to pre-drill)

Mark where the mounting hole is to the bumper

**NOTE:** Use the hole on top of FD-69 and FD-70 to mark the drill location

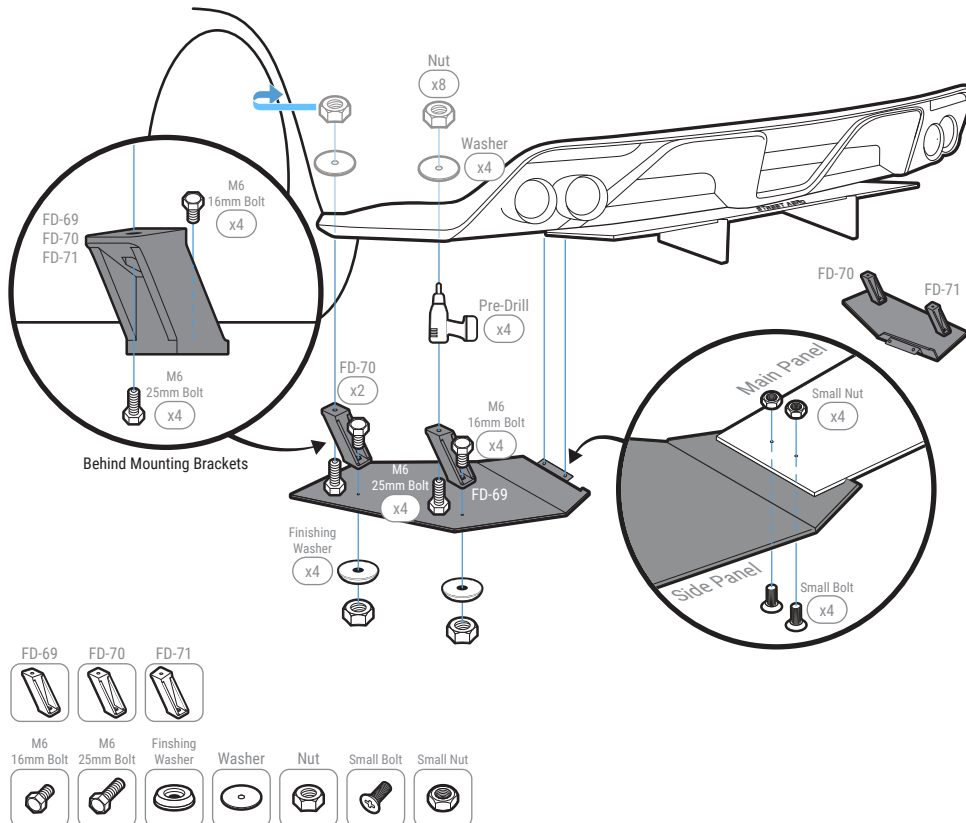
Pre-drill into the bumper

**NOTE:** Side Panel must be removed before pre-drilling

Install the Side Panel to the Main Panel and Bumper with provided M6 25mm Bolt, Washer, and Nut

**NOTE:** Use the sides near the wheels to secure the Washer and Nut inside the bumper

Repeat to install Passenger Side Panel to the Main Panel and bumper

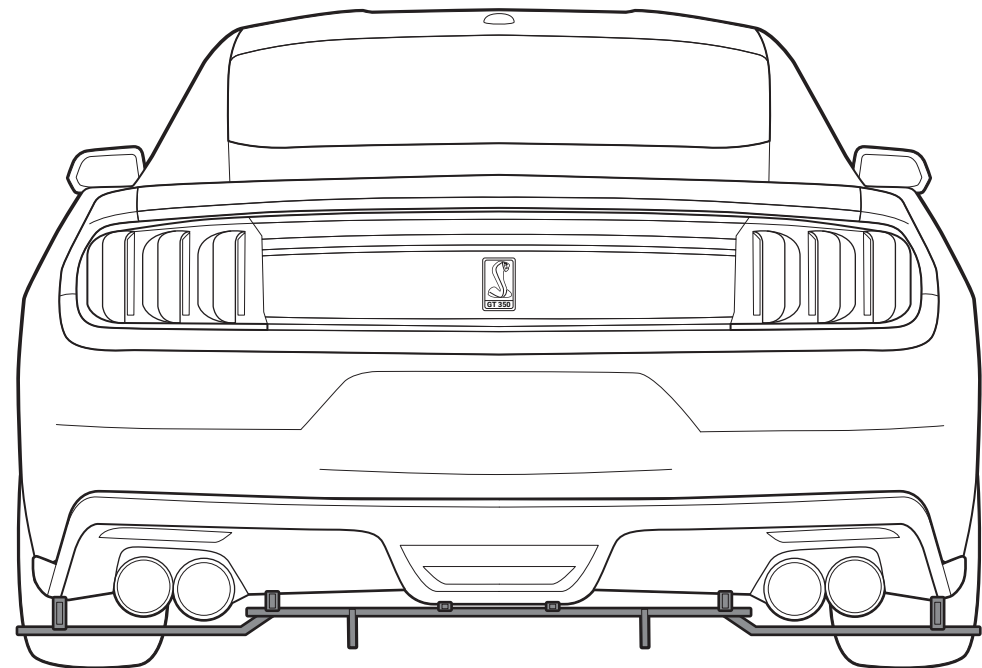


# INSTALLATION GUIDE

## 2015-2020 Ford Mustang

### Shelby GT350

### ACM Rear Diffuser



s-rda-frd-07-e1

www.streetaero.com

