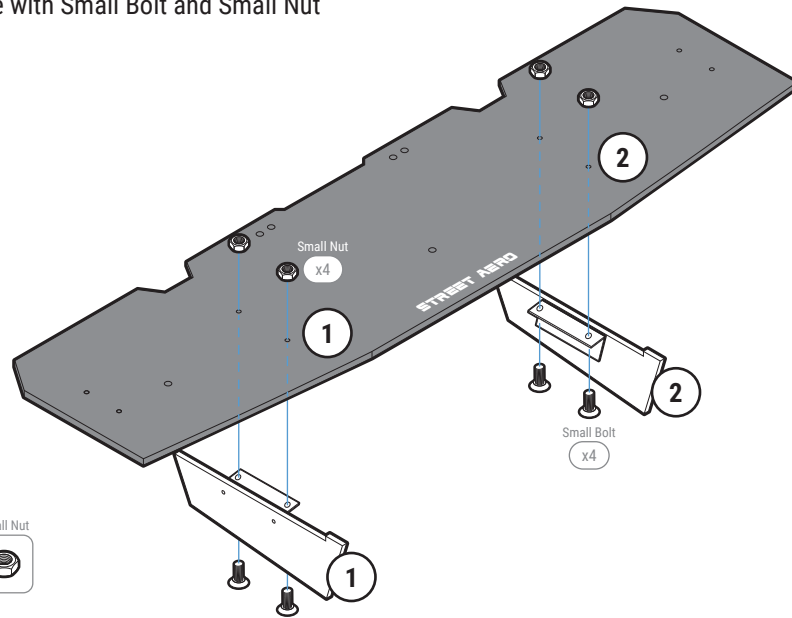


STEP: 1 Assemble Rear Diffuser

Carefully place Fin 1 and Fin 2 onto the Main Panel
(Match the number on the Fin to the number on the Main Panel)

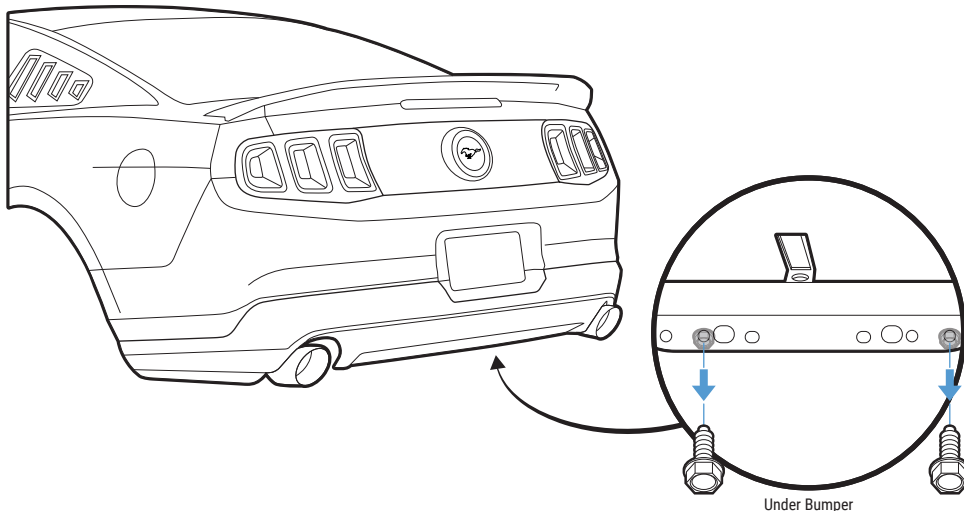
Secure with Small Bolt and Small Nut



STEP: 2 Remove OEM Bolts

Remove the two OEM Bolts located under the bumper

NOTE: (Mark where the OEM Bolts are located this is where the Main Panel will be mounted)



STEP: 3 Mount Main Panel

Use the OEM mounting holes from "STEP: 2" to mount the assembled Main Panel to the bumper with provided M6 40mm Bolt and Finishing Washer

Mark and pre-drill under the bumper where the Well Nut would be mounted with **13/32 Bit**

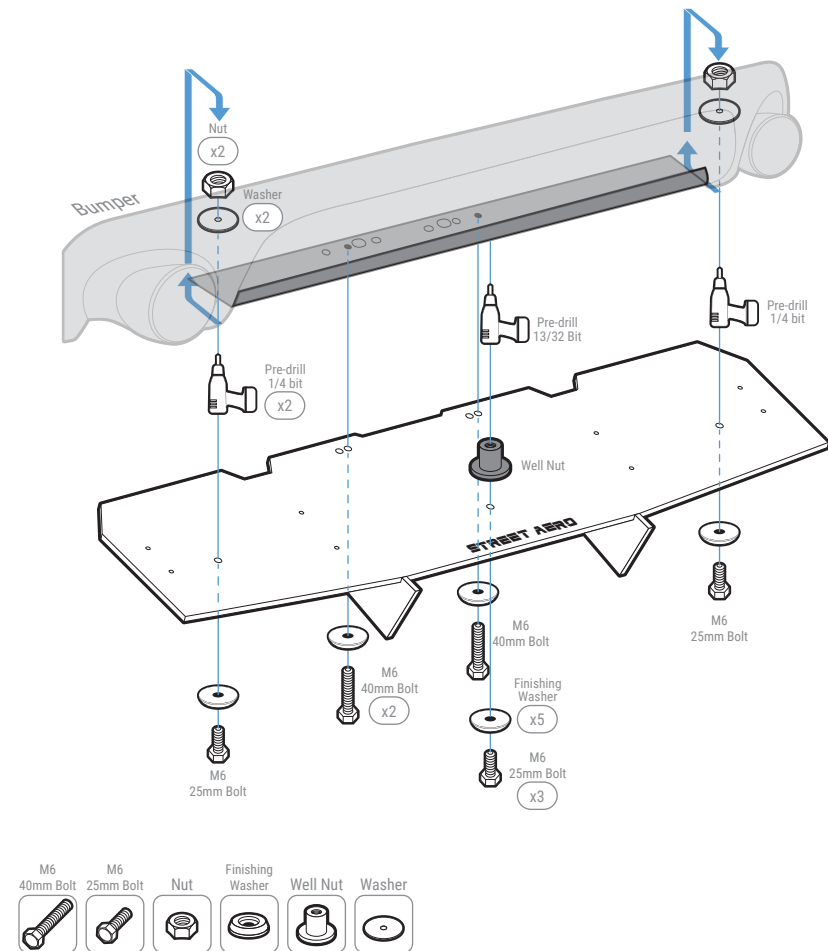
NOTE: Use the hole in the center of the Main Panel to mark the location on the bumper
(Main Panel may need to be removed before pre-drilling)

Mark and pre-drill the left and right side of the bumper with **1/4 Bit**

NOTE: Use the hole on the left and right side of the Main Panel to mark the location on the bumper
(Main Panel may need to be removed before pre-drilling)

Attach the Main Panel to the bumper with provided M6 25mm Bolt, Finishing Washer, Washer, and Nut

NOTE: Reach behind the mounting location to secure the Washer and Nut



IMPORTANT: DO NOT over tighten or use power tools to mount the Mounting Brackets

STEP: 4 Mount the Rear Diffuser

Attach and secure Mounting Bracket FD-63 and FD-64 to the Side Panel with M6 16mm Bolt, Finishing Washer, and Nut

NOTE: Push the bolt all the way into the socket to prevent it from falling out

Attach the Side Panel to the Main Panel with Small Bolt and Small Nut

NOTE: Do Not tighten bolts on the Side Panel to the Main Panel
(you may need to remove the Side Panel to pre-drill)

Mark where the mounting hole is to the bumper

NOTE: Use the hole on the side of FD-63 and FD-64 to mark the drill location

Pre-drill into the bumper

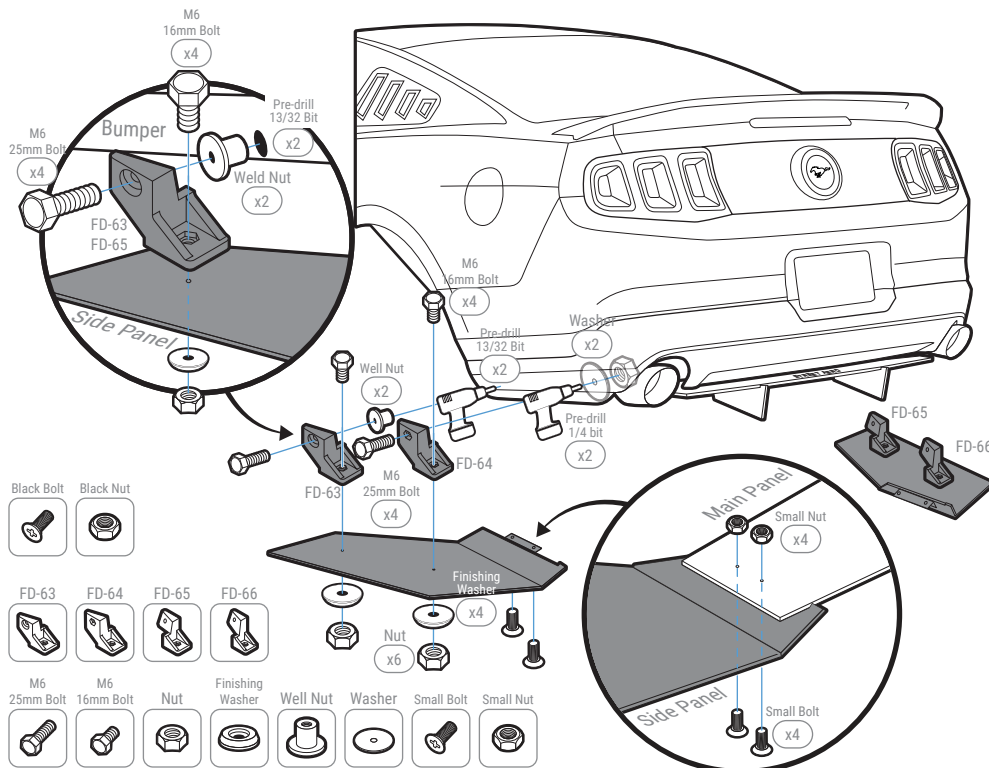
IMPORTANT!: Use 13/32 Bit for FD-63 mounting and 1/4 Bit for FD-64 mounting

Install the Side Panel to the Main Panel and bumper by securing Mounting Bracket FD-63 with provided M6 25mm Bolt and Well Nut

Secure Mounting Bracket FD-64 with provided M6 25mm Bolt, Washer, and Nut

NOTE: Use the sides near the wheels to secure the Washer and Nut inside the bumper

Repeat to install Passenger Side Panel to the Main Panel and bumper



INSTALLATION GUIDE 2010-2012 Ford Mustang V6 ACM Rear Diffuser

