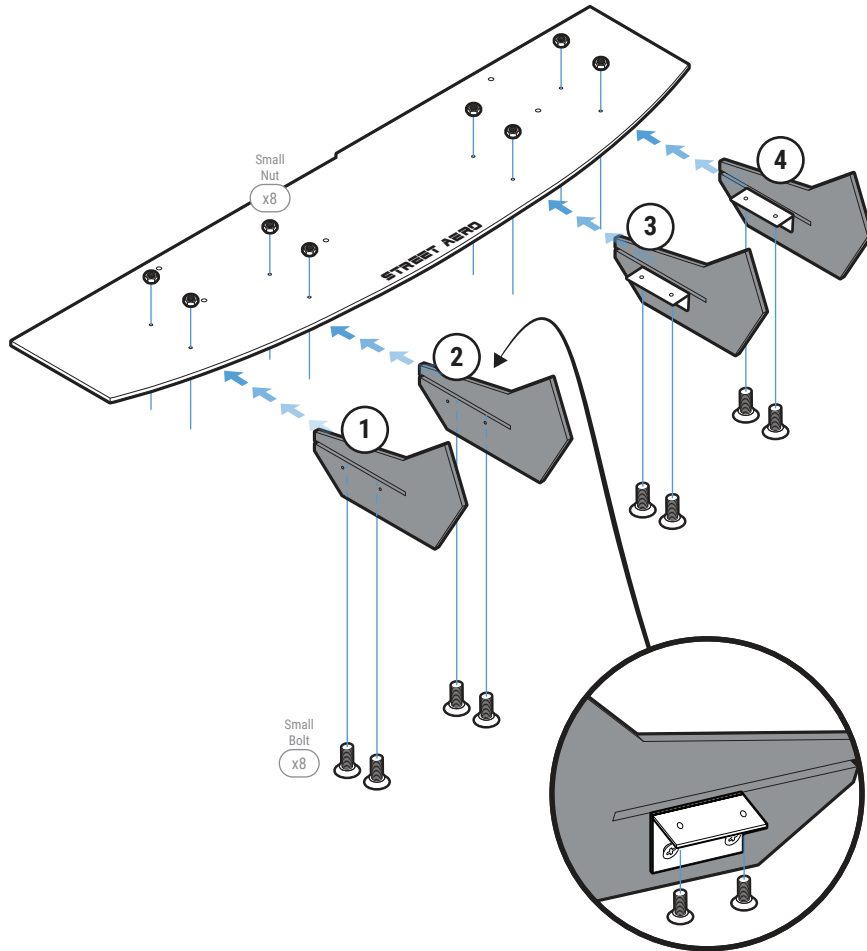


**STEP: 1** Assemble Main Panel

Carefully place Fin 1, 2, 3, and 4 onto the Main Panel  
(Match the number on the Fin to the number on the Main Panel)

**NOTE:** To prevent scratches keep the Fin as straight as possible

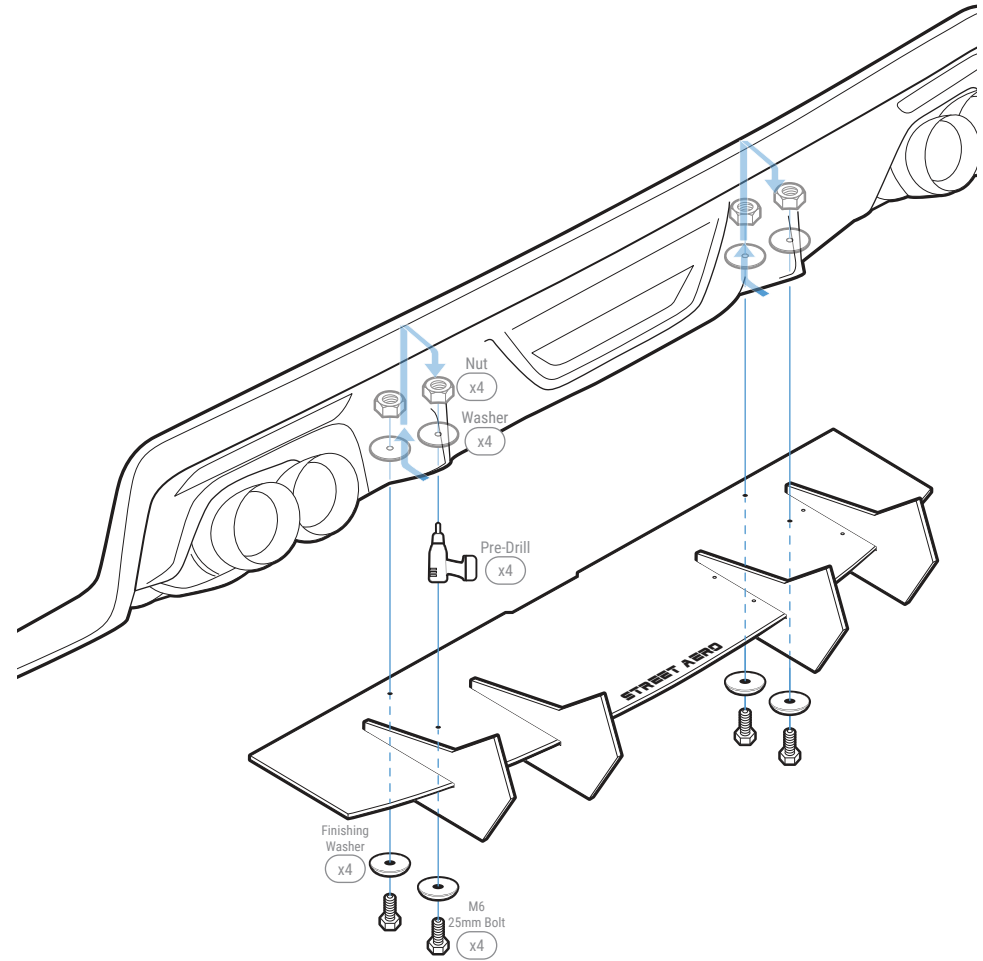
Secure with Small Bolt and Small Nut



**STEP: 2** Mount Main Panel

Mount the assembled Main Panel to the bumper by securing M6 25mm Bolt, Finishing Washer, Washer, and Nut to the bumper fin

**NOTE:** Reach under the bumper to place the Washer and Nut inside the bumper fin



**STEP: 3** *Mount Side Panel*

Assemble Side Fin 1 to the Driver Side Panel and secure with Small Bolt and Small Nut

Align the assembled Side Panel to the bumper

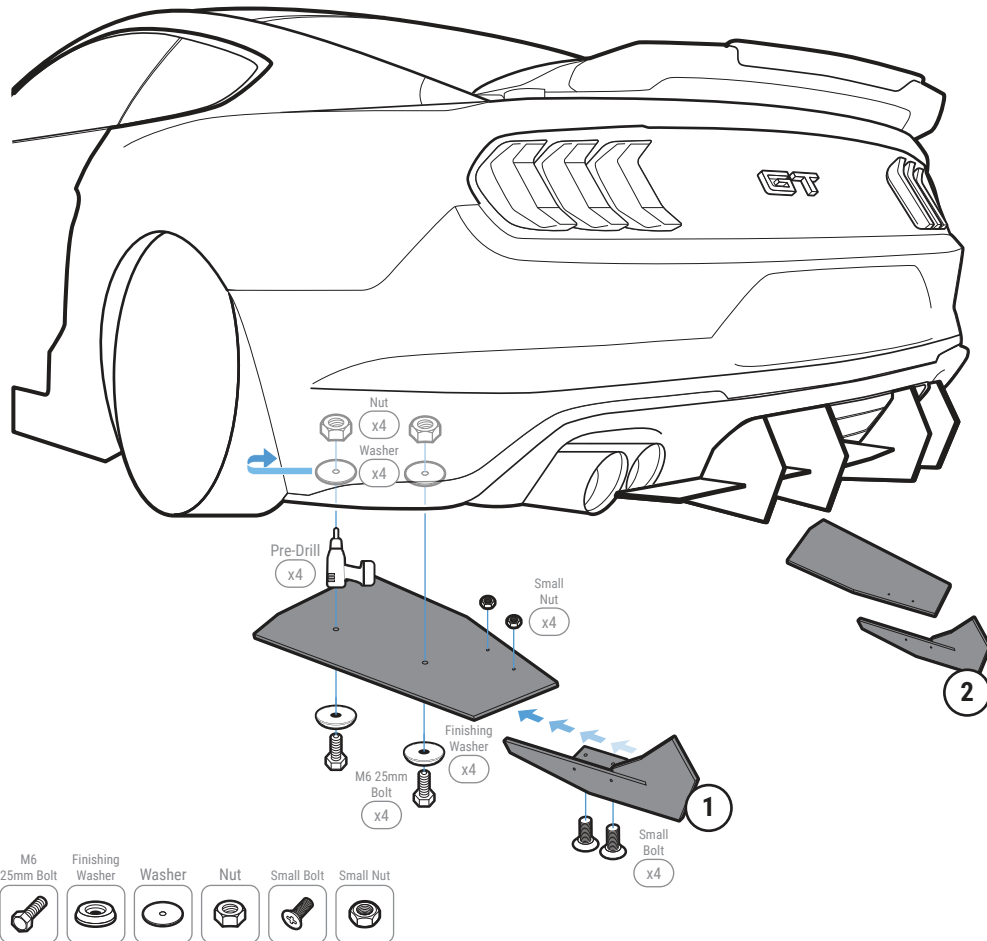
Mark where the Side Panel has the most contact to the bumper

Pre-drill through the Side Panel and into the bumper

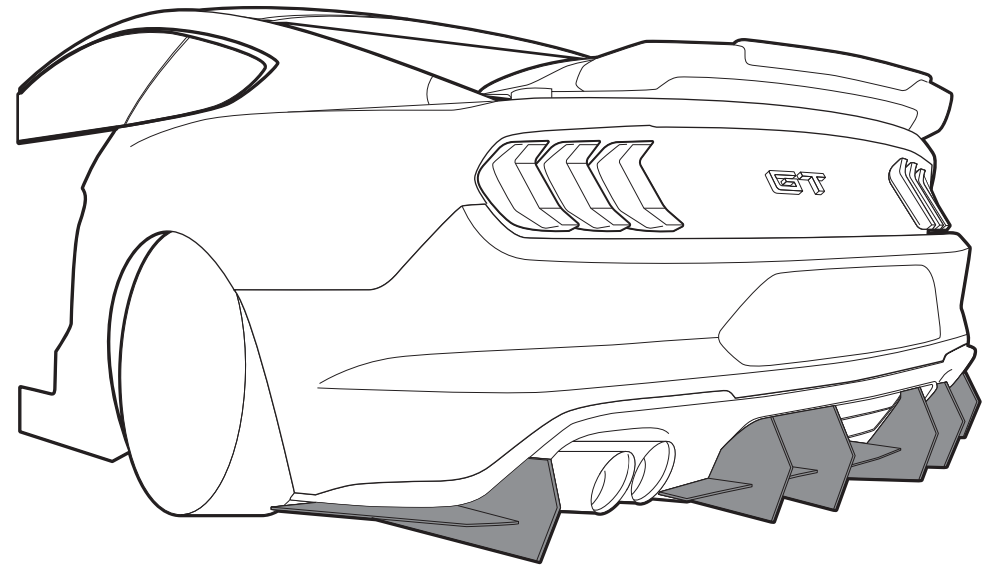
Secure the Side Panel to the bumper with provided M6 25mm Bolt, Finishing Washer, Washer, and Nut

**NOTE:** Reach under the bumper to place the Washer and Nut inside the bumper

Repeat to mount Passenger Side Panel to the bumper



**INSTALLATION GUIDE**  
**2018-2023 Ford Mustang GT**  
**Classic Edition**  
**ACM Rear Diffuser**



s-rda-frd-01

www.streetaero.com

info@streetaero.com