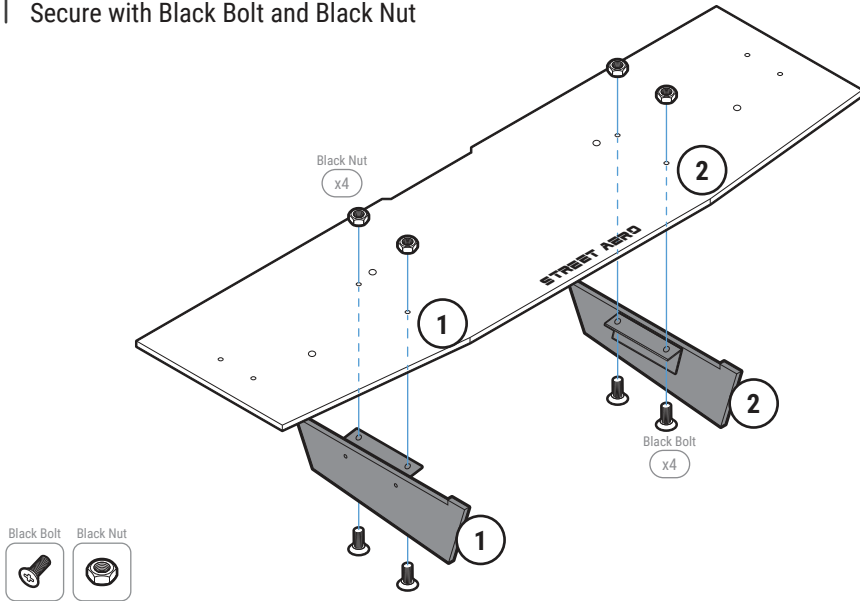


### STEP: 1 Assemble Main Panel

Carefully place Fin 1 and Fin 2 onto the Main Panel  
(Match the number on the Fin to the number on the Main Panel)

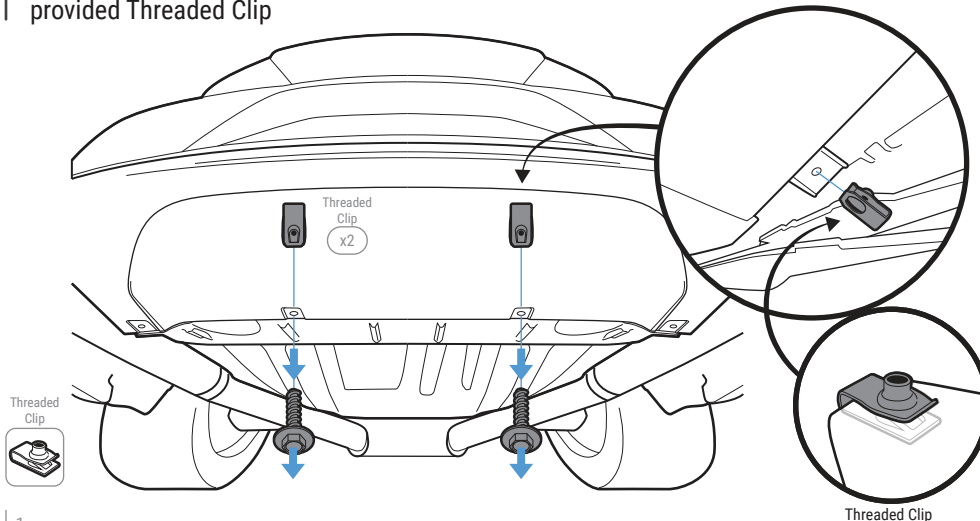
Secure with Black Bolt and Black Nut



### STEP: 2 Remove OEM Push Pins

Remove the OEM Washer Bolts located under the bumper

Gently push the undershroud up to replace the OEM clip inside the bumper with the provided Threaded Clip



### STEP: 3 Install Main Panel

Align the assembled Main Panel to the bumper by placing Mounting Bracket DE-6 to its OEM mounting location (OEM holes from **STEP: 2**) use M6 55mm Bolt as a guide by inserting it through Mounting Bracket DE-6

**NOTE:** Do not tighten the bolt you will need to remove the Main Panel to pre-drill the other mounting locations

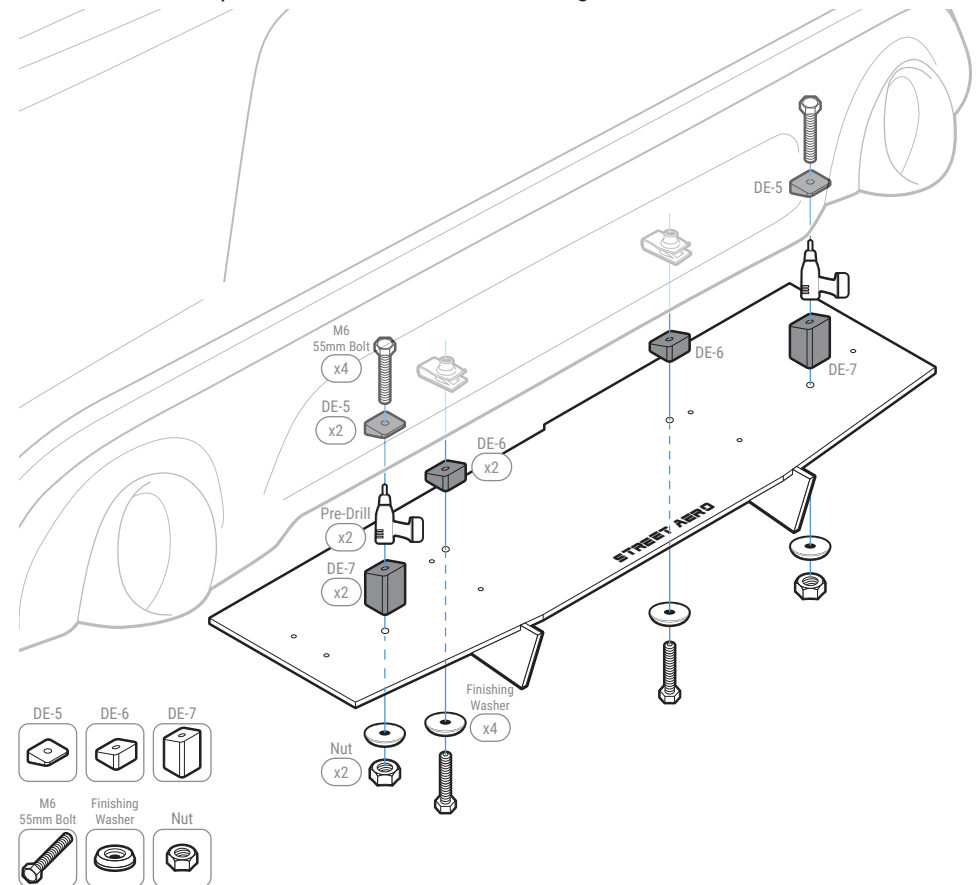
When the Main Panel is aligned perfectly mark and pre-drill where Mounting Bracket DE-5 and DE-7 will be mounted

**NOTE:** Main Panel may need to be removed before drilling

Gently push the undershroud up to place M6 55mm Bolt and Mounting Bracket DE-5 inside the bumper to its mounting location

Place Mounting Bracket DE-7 on top of the Main Panel and secure it to the M6 55mm Bolt with Finishing Washer and Nut

Slide Mounting Bracket DE-6 to its OEM mounting location and secure it to the bumper and Threaded Clip with M6 55mm Bolt and Finishing Washer



**STEP: 4** *Mount the Rear Diffuser*

Attach Mounting Bracket DE-9 and DE-11 to the Driver Side Panel with M6 16mm Bolt, Finishing Washer, and Nut

**NOTE:** Push the Bolt all the way into the socket to prevent it from falling out

Attach the Side Panel to the Main Panel with Black Bolt and Black Nut

**NOTE:** Do not tighten the Black Bolt and Black Nut you will need to remove the Side Panel to pre-drill

Align the Side Panel and rotate the Mounting Bracket so it sits flushed under the bumper then mark and pre-drill into the bumper

**NOTE:** Use the hole on top of the Mounting Bracket to mark the drill location

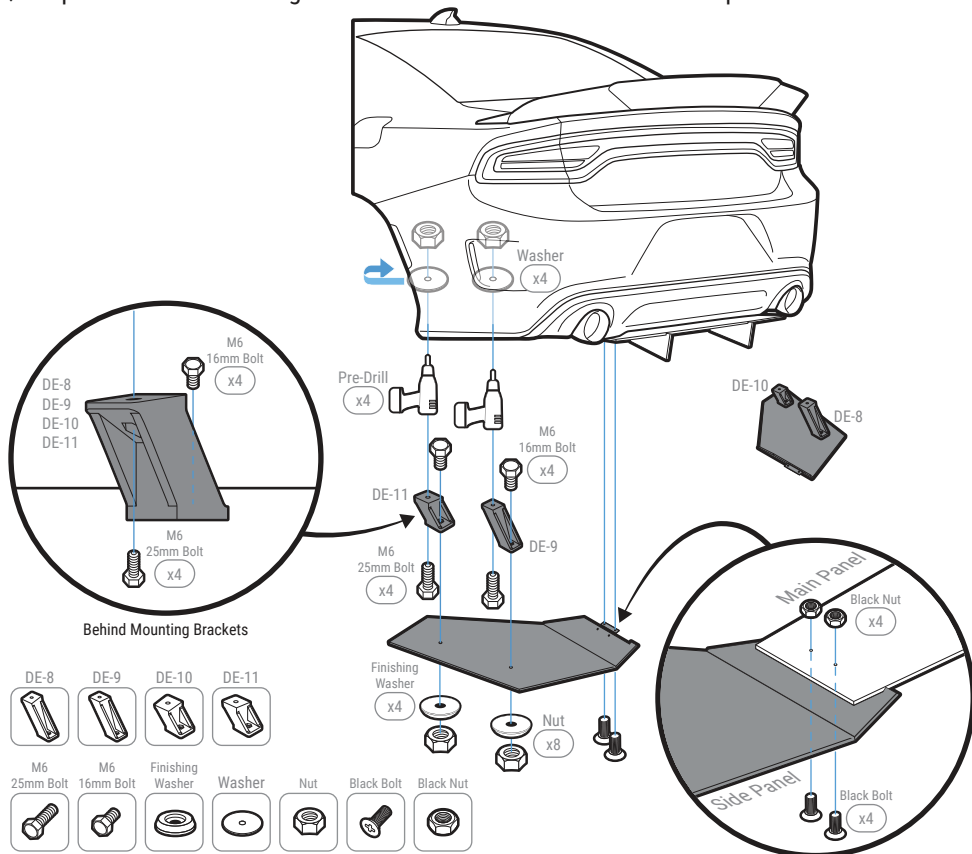
**NOTE:** Side Panel and Mounting Bracket may need to be removed before drilling

Fully tighten all the bolts and nut after drilling

Mount the Side Panel to the bumper by inserting the M6 25mm Bolt into the socket behind the Mounting Brackets and secure it with provided Washer and Nut

**NOTE:** Reach under or to the side of the bumper to place the Washer and Nut inside the bumper

Repeat to install Passenger Side Panel to the Main Panel and bumper



**INSTALLATION GUIDE**  
**2015-2023 Dodge Charger**  
**Scat Pack**  
**ACM Rear Diffuser**

