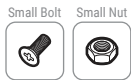
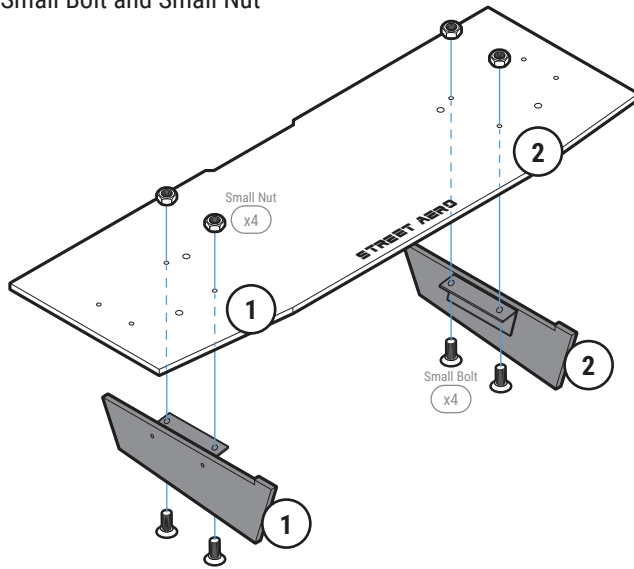


### STEP: 1 Assemble Main Panel

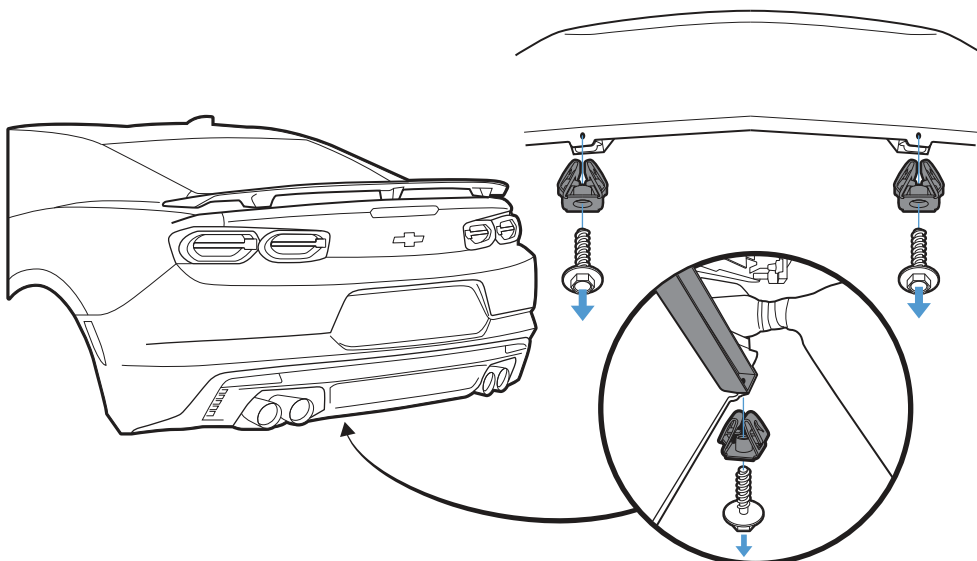
Carefully place Fin 1 and Fin 2 onto the Main Panel  
(Match the number on the Fin to the number on the Main Panel)

Secure with Small Bolt and Small Nut



### STEP: 2 Remove OEM Washer Bolts and Clip

Remove the 2 OEM Washer Bolt and Clip located under the bumper



Remove 2 OEM Washer Bolt and Clip

### STEP: 3 Install Mounting Bracket

Mount the assembled Main Panel to the bumper by securing Mounting Bracket CT-2 to the OEM mounting hole on **STEP: 2** with M6 40mm Bolt, Finishing Washer, Washer, and Nut  
**NOTE:** Reach under or to the side of the bumper to place Washer and Nut inside the bumper

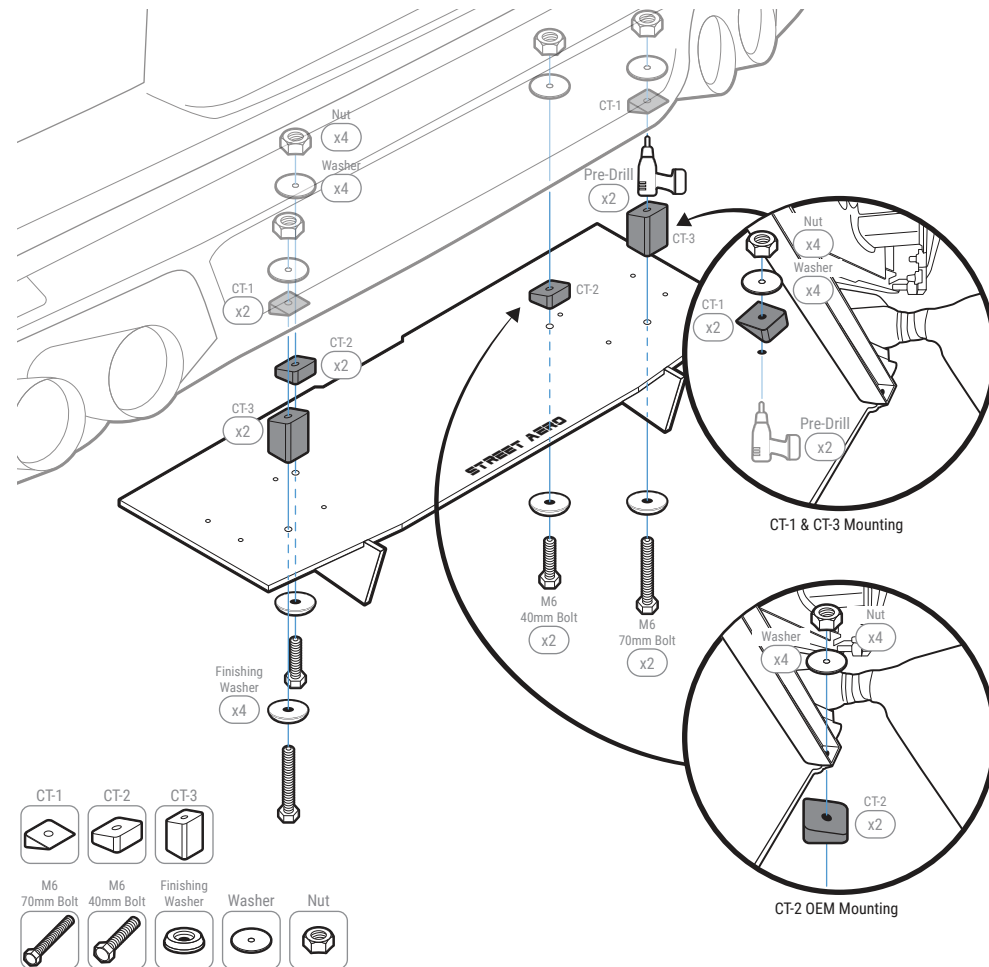
Align Mounting Bracket CT-3 to its correct mounting location then Mark and Pre-Drill into the bumper

**NOTE:** Use the hole on top of CT-3 to mark the drill location

**NOTE:** Main Panel and Mounting Bracket may need to be removed before pre-drilling

Secure the Main Panel and Mounting Bracket CT-3 to the bumper with provided M6 70mm Bolt, Finishing Washer, Mounting Bracket CT-1, Washer and Nut

**NOTE:** Reach under or to the side of the bumper to place CT-1, Washer, and Nut inside the bumper



**IMPORTANT: DO NOT** over tighten or use power tools to mount the Mounting Brackets

**STEP: 4** Mount the Rear Diffuser

Attach and secure Mounting Bracket CT-4 and CT-5 to the Side Panel with M6 16mm Bolt, Finishing Washer, and Nut

**NOTE:** Push the bolt all the way into the socket to prevent it from falling out

Attach the Side Panel to the Main Panel with Small Bolt and Small Nut

**NOTE:** Do Not tighten Small Bolt (you will need to remove the Side Panel to pre-drill)

Mark where Mounting Bracket CT-4 and CT-5 will be mounted to the bumper

**NOTE:** Use the hole on top of CT-4 and CT-5 to mark the drill location

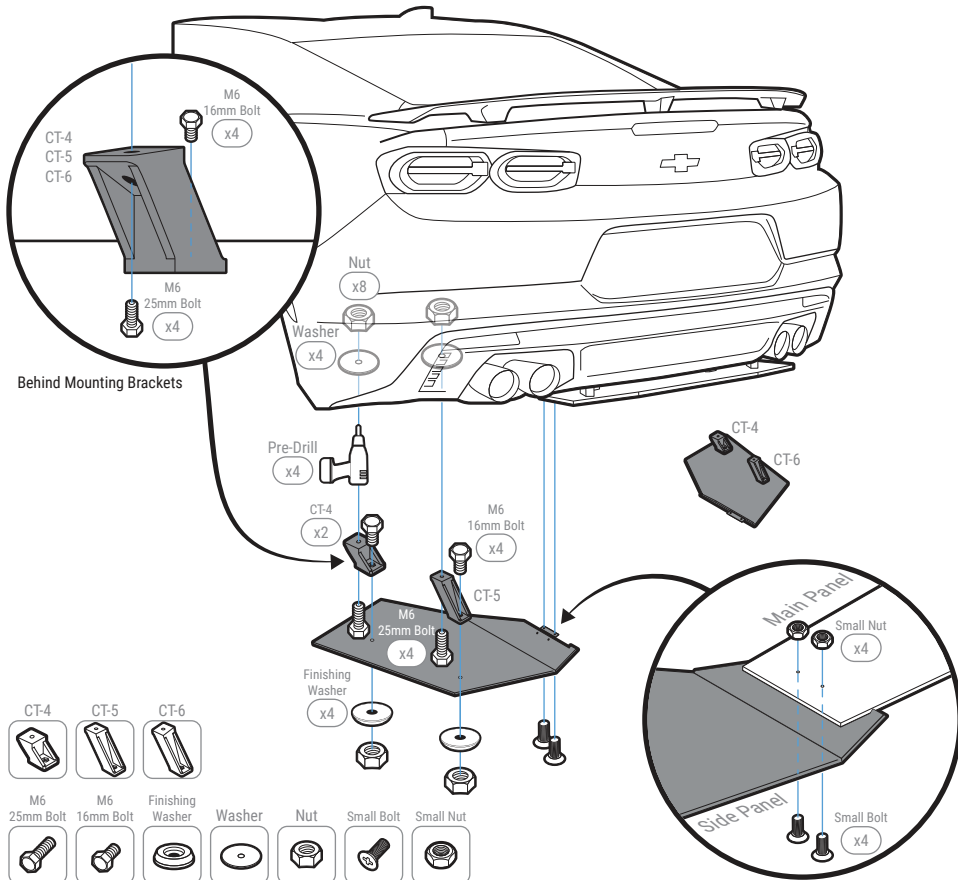
Pre-drill into the bumper

**NOTE:** Side Panel and Mounting Bracket may need to be removed before pre-drilling

Mount the Side Panel by securing Mounting Bracket CT-4 and CT-5 with M6 25mm Bolt, Finishing Washer, Washer, and Nut

**NOTE:** Reach under or to the side of the bumper to place the Washer and Nut inside the bumper

Repeat to install Passenger Side Panel to the Main Panel and bumper



# INSTALLATION GUIDE

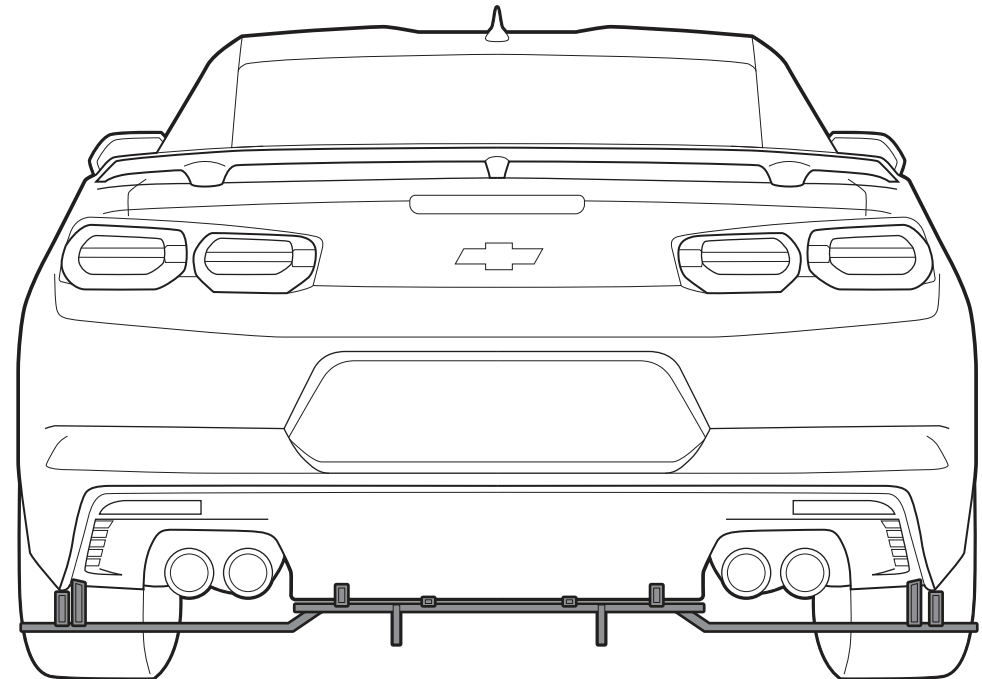
## 2016-2023 Chevrolet Camaro

SS (Dual Exhaust)

LT (Dual Exhaust)

SS (Quad Exhaust)

## ACM Rear Diffuser



s-rda-chv-06-e1

s-rda-chv-08-e1

s-rda-chv-09-e1

www.streetaero.com

info@streetaero.com

