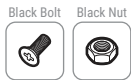
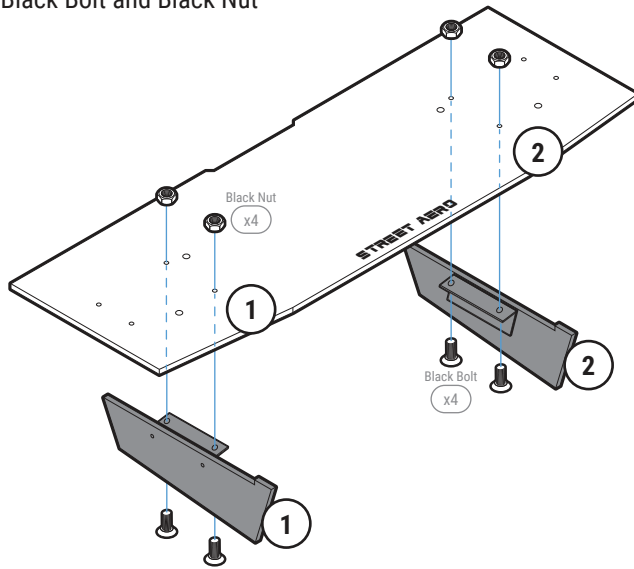


STEP: 1 Assemble Main Panel

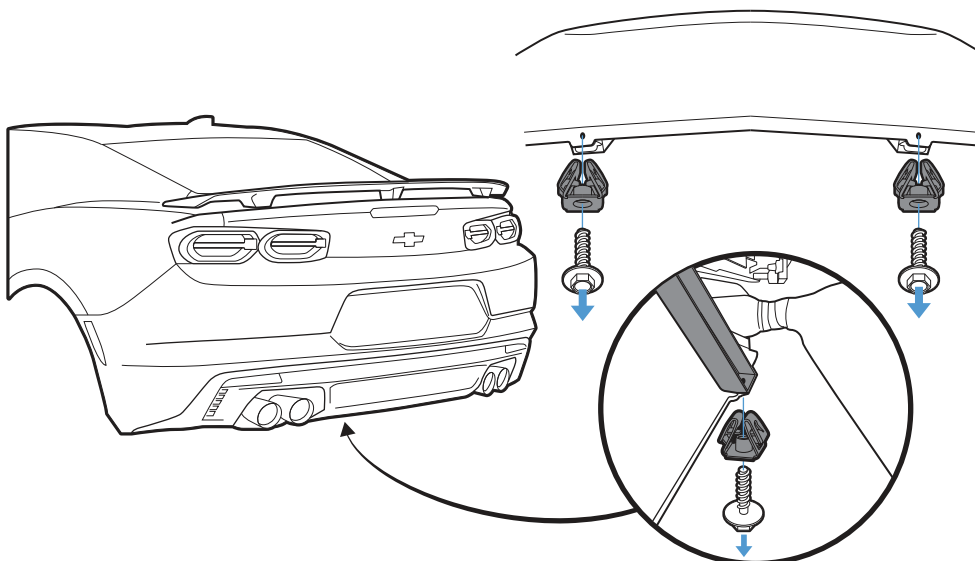
Carefully place Fin 1 and Fin 2 onto the Main Panel
(Match the number on the Fin to the number on the Main Panel)

Secure with Black Bolt and Black Nut



STEP: 2 Remove OEM Washer Bolts and Clip

Remove the 2 OEM Washer Bolt and Clip located under the bumper



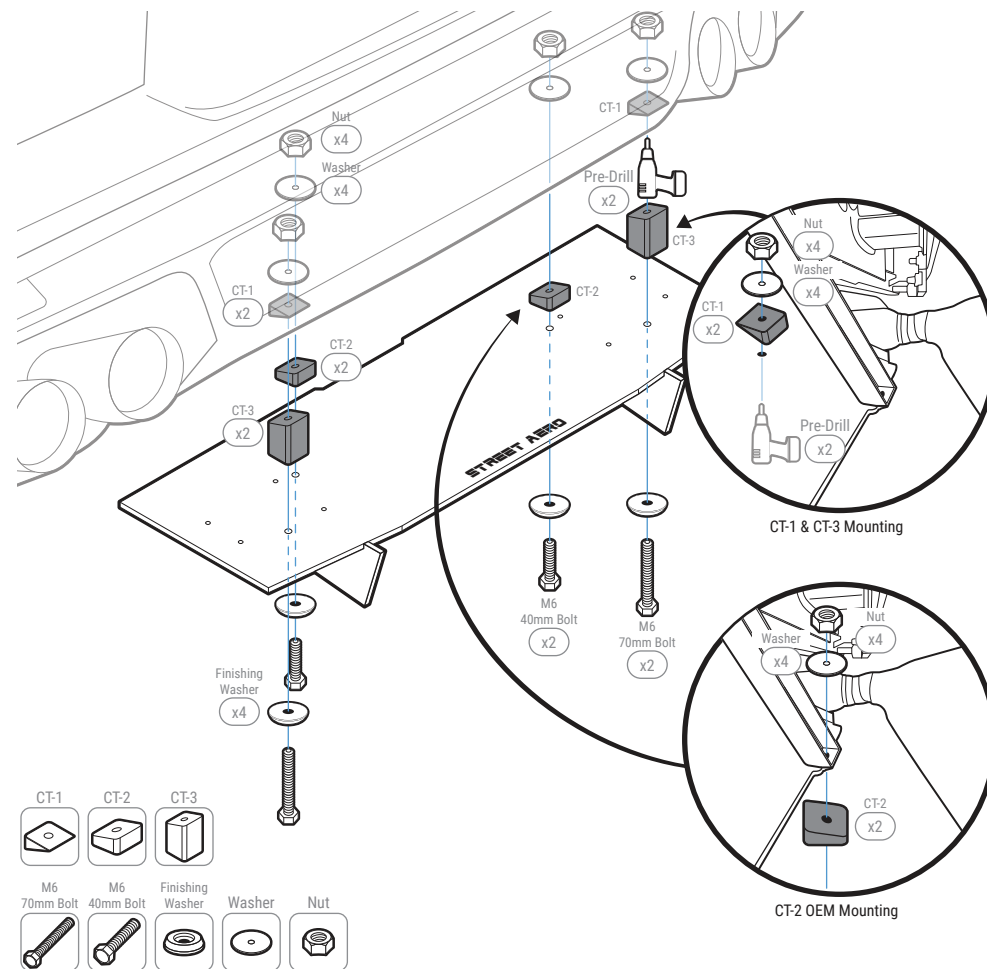
Remove 2 OEM Washer Bolt and Clip

STEP: 3 Install Mounting Bracket

Mount the assembled Main Panel to the bumper by securing Mounting Bracket CT-2 to the OEM mounting hole on **STEP: 2** with M6 40mm Bolt, Finishing Washer, Washer, and Nut
NOTE: Reach under or to the side of the bumper to place Washer and Nut inside the bumper

Align Mounting Bracket CT-3 to its correct mounting location then Mark and Pre-Drill into the bumper
NOTE: Use the hole on top of CT-3 to mark the drill location
NOTE: Main Panel and Mounting Bracket may need to be removed before pre-drilling

Secure the Main Panel and Mounting Bracket CT-3 to the bumper with provided M6 70mm Bolt, Finishing Washer, Mounting Bracket CT-1, Washer and Nut
NOTE: Reach under or to the side of the bumper to place CT-1, Washer, and Nut inside the bumper



STEP: 4 *Mount the Rear Diffuser*

Attach and secure Mounting Bracket CT-4 and CT-5 to the Side Panel with M6 16mm Bolt, Finishing Washer, and Nut

NOTE: Push the bolt all the way into the socket to prevent it from falling out

Attach the Side Panel to the Main Panel with Black Bolt and Black Nut

NOTE: Do Not tighten Black Bolt (you will need to remove the Side Panel to pre-drill)

Mark where Mounting Bracket CT-4 and CT-5 will be mounted to the bumper

NOTE: Use the hole on top of CT-4 and CT-5 to mark the drill location

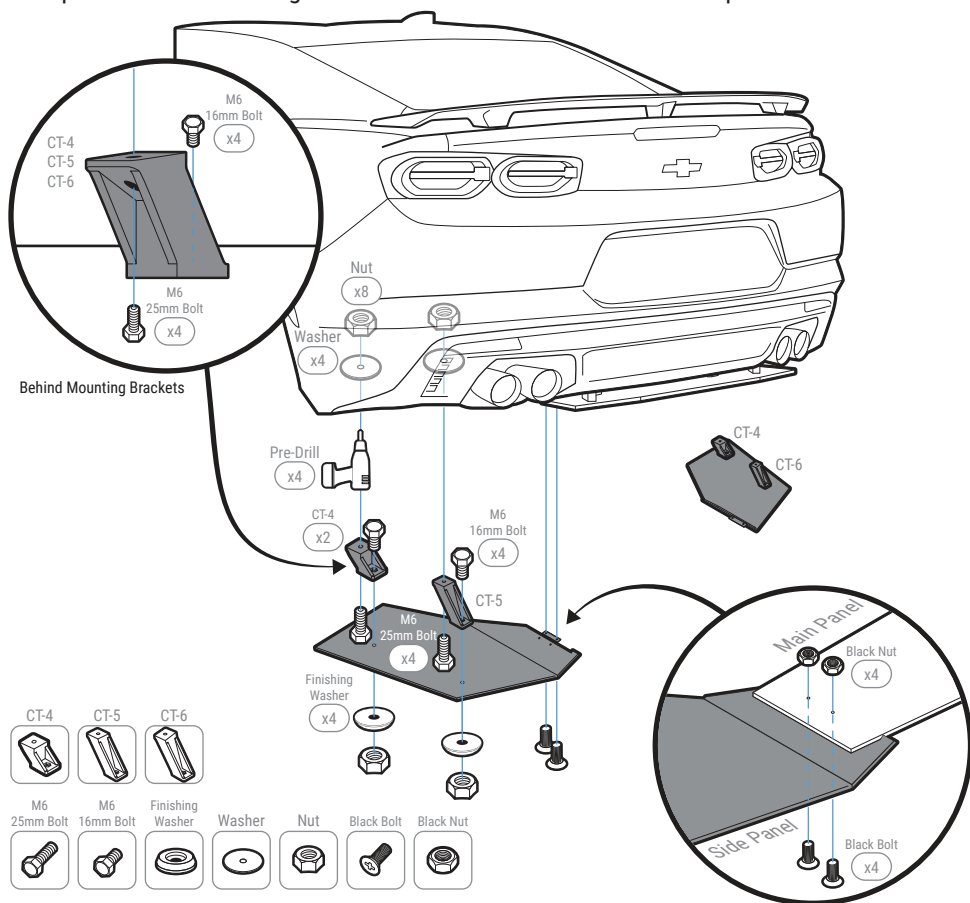
Pre-drill into the bumper

NOTE: Side Panel and Mounting Bracket may need to be removed before pre-drilling

Mount the Side Panel by securing Mounting Bracket CT-4 and CT-5 with M6 25mm Bolt, Finishing Washer, Washer, and Nut

NOTE: Reach under or to the side of the bumper to place the Washer and Nut inside the bumper

Repeat to install Passenger Side Panel to the Main Panel and bumper



INSTALLATION GUIDE

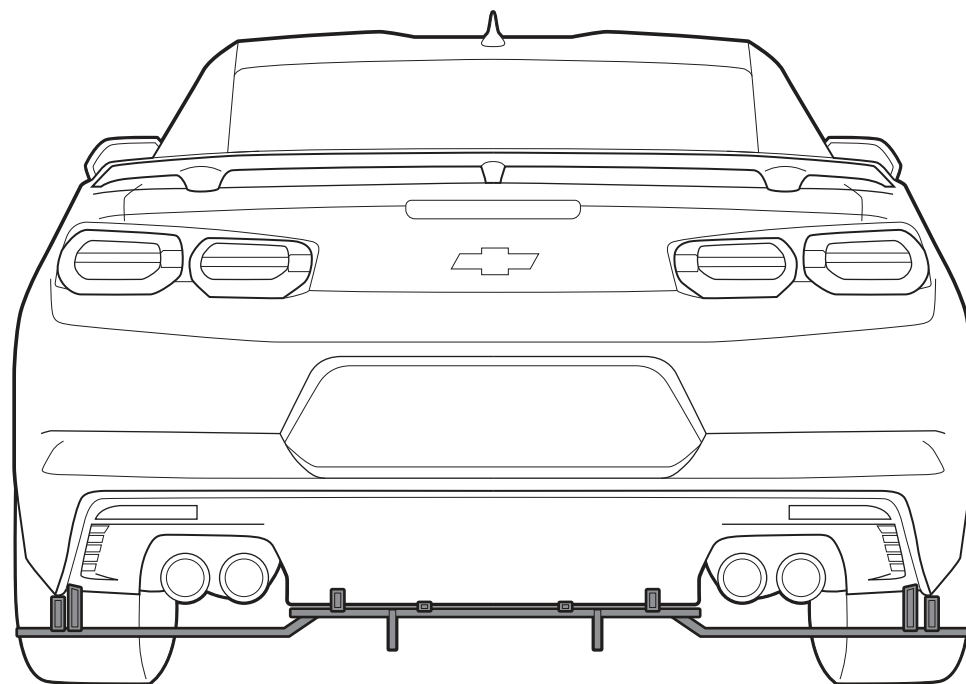
2016-2023 Chevrolet Camaro

SS (Dual Exhaust)

LT (Dual Exhaust)

SS (Quad Exhaust)

ACM Rear Diffuser



s-rda-chv-06-e1

s-rda-chv-08-e1

s-rda-chv-09-e1