

STEP: 1 Assemble Main Panel

Attach and secure Single L Bracket to Fin 2 & 3 with Small Bolt and Small Nut

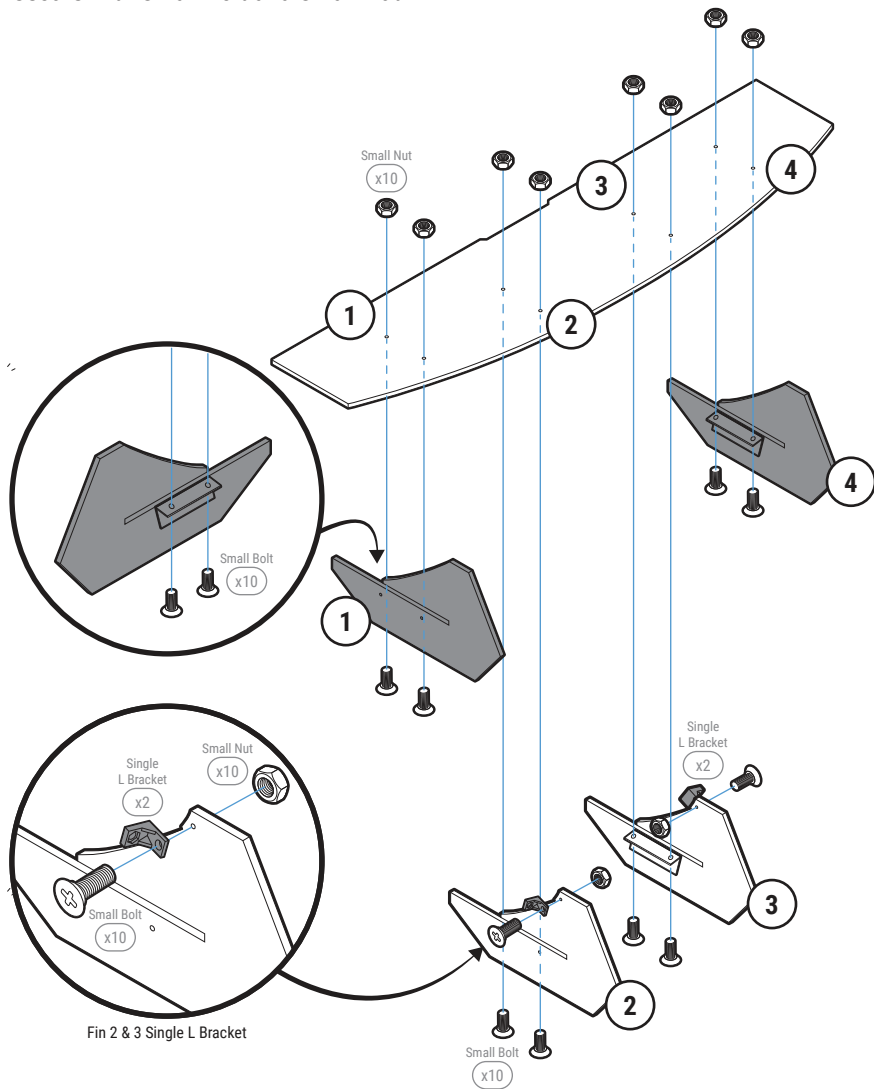
NOTE: Single L Bracket must face toward the center of the Main Panel

NOTE: Do Not over tighten the Single L Bracket (You will need to rotate/adjust the Single L Bracket to Mount)

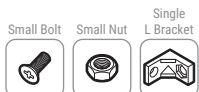
Carefully slide Fin 1, 2, 3, and 4 into the Main Panel

(Match the number on the Fin to the number on the Main Panel)

Secure with Small Bolt and Small Nut



Fin 2 & 3 Single L Bracket



STEP: 3 Install Rear Diffuser

Align the assembled Main Panel to the bumper

NOTE: Center the Main Panel as much as you can

Rotate the Single L Bracket so the Hex Socket side is as flat as possible to the bumper

Mark and pre-drill into the bumper where the hex bolt will be installed

NOTE: Use the hex hole on the Single L Bracket to mark the drill location

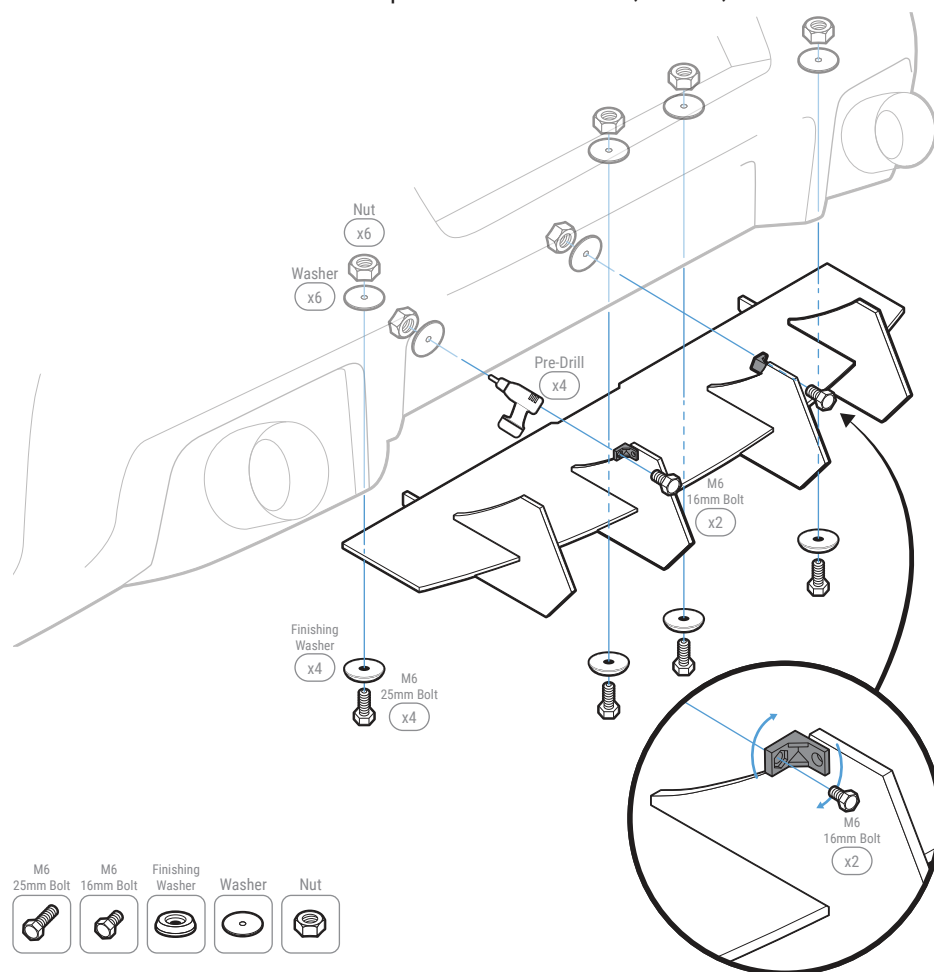
NOTE: Main Panel will need to be removed before pre-drilling

Mark and pre-drill through the Main Panel and into the bumper where the bumper has the most contact surface to the Main Panel

Secure the Single L Bracket to the bumper with M6 16mm Bolt, Washer, and Nut

NOTE: Reach under the bumper to place the Washer and Nut inside the bumper

Secure the Main Panel to the bumper with M6 25mm Bolt, Washer, and Nut



Mount L Bracket



STEP: 4 Mount Side Fin

Attach the Side Fin to the Side Panel and secure with Small Bolt and Small Nut

Align the Side Panel to the bumper

NOTE: We recommend removing any Splash Guard to get access behind the bumper

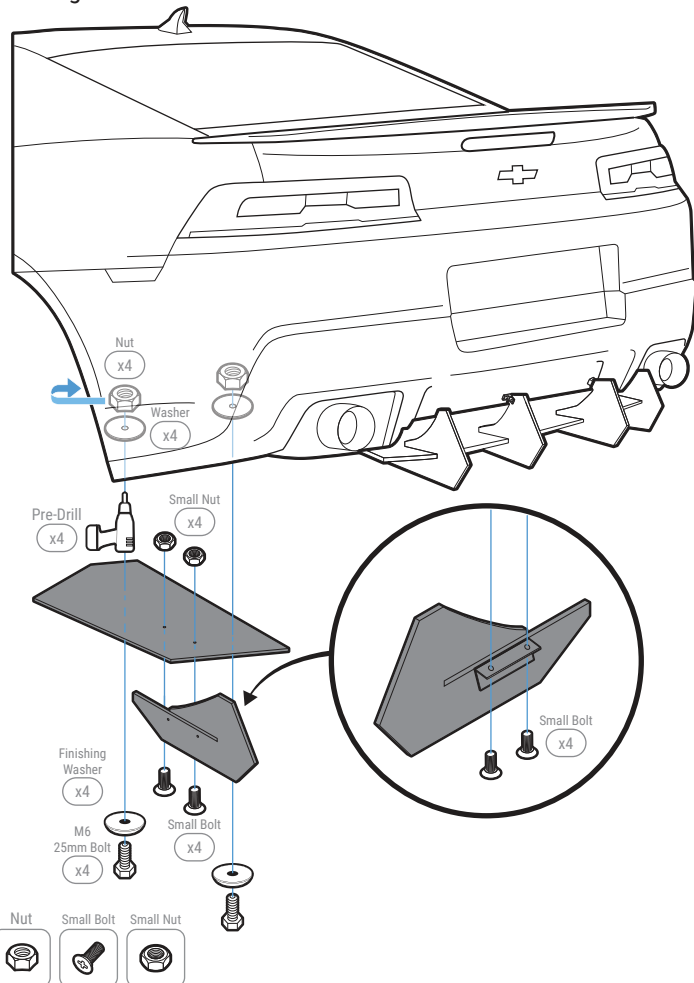
Mark where the Side Panel has the most contact point to the bumper

Pre-drill through the Side Panel and into the bumper at marked locations

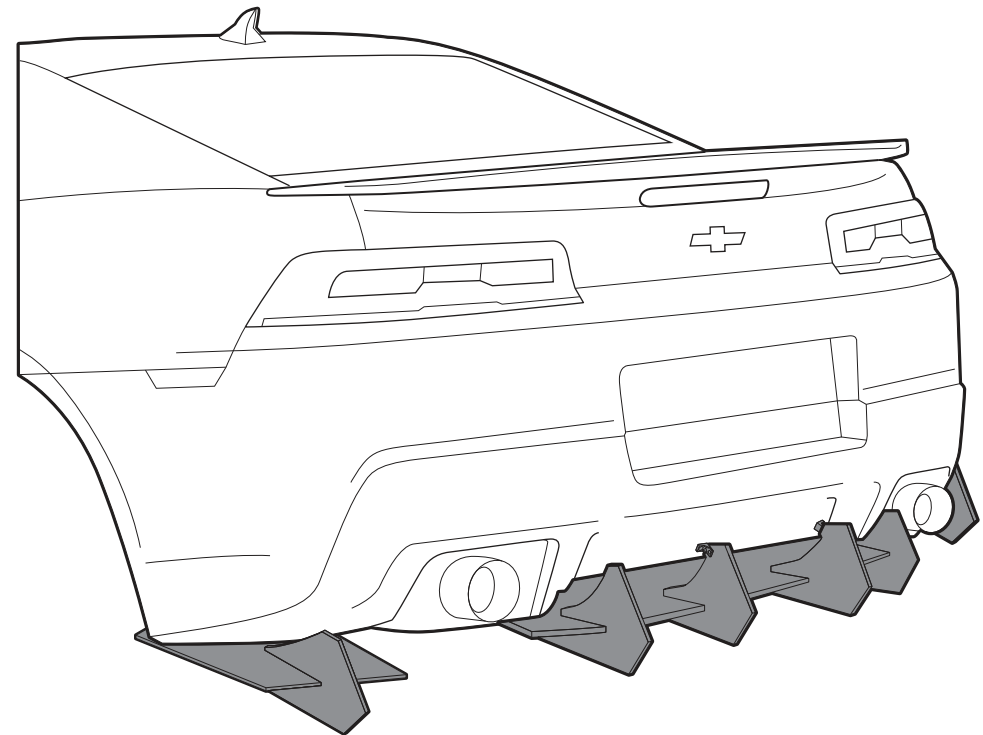
Secure the Side Panel to the bumper with provided M6 25mm Bolt, Finishing Washer, Washer, and Nut

NOTE: Reach under the bumper to place the Washer and Nut inside the bumper

Repeat to install Passenger Side Panel



INSTALLATION GUIDE
2014-2015 Chevrolet Camaro
(Dual Exhaust) - Classic Edition
ACM Rear Diffuser



s-rda-chv-02

www.streetaero.com

info@streetaero.com