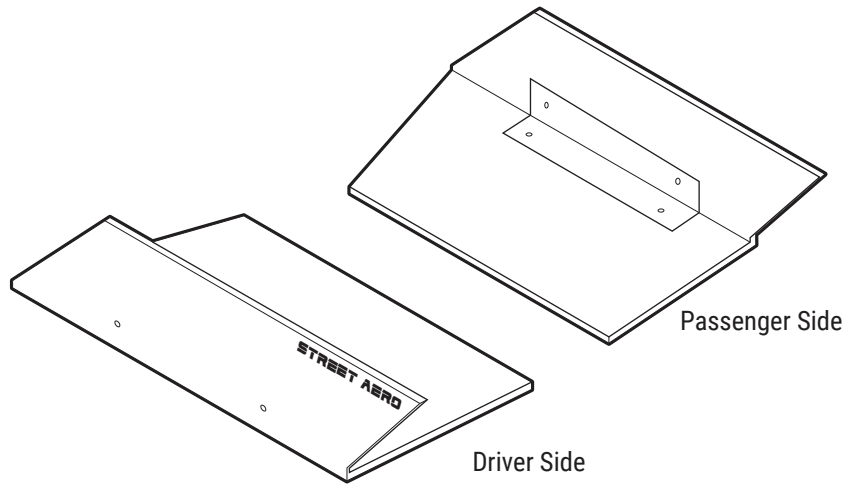


STEP: 1 *Universal Side Fin*

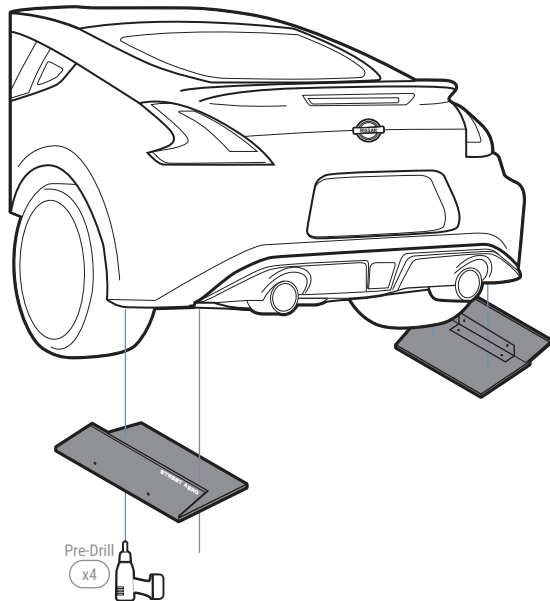
Street Aero Universal Side Fin is designed for all Makes and Models



STEP: 2 *Align Side Fin*

Align and position the Side Fin to the bumper

Mark and pre-drill through Side Fin and into the bumper at locations where the Side Fin has the most contact to the bumper



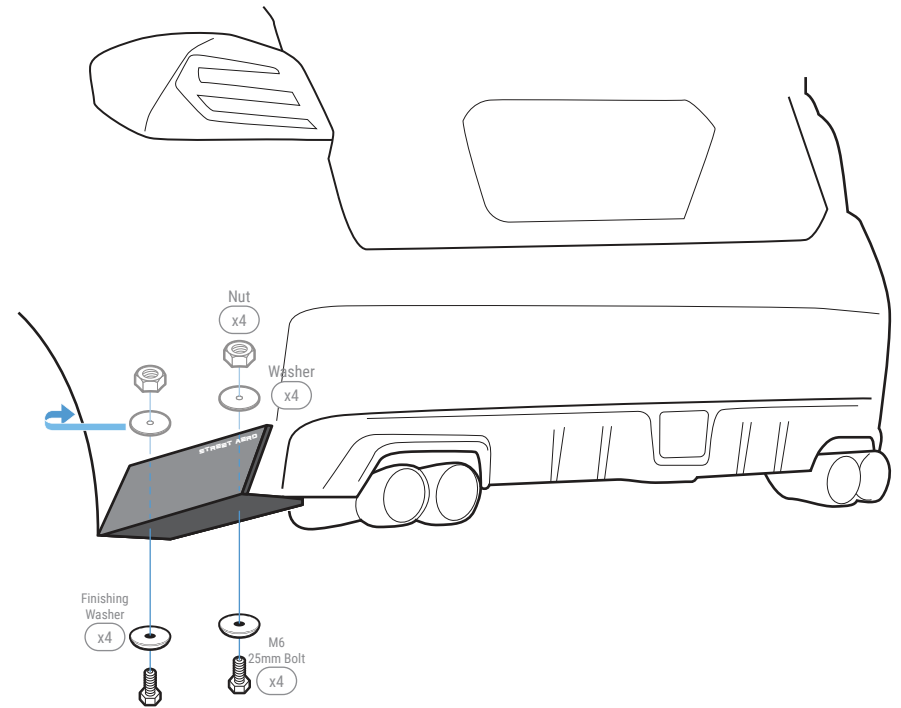
STEP: 3 *Install Main Panel*

Secure the Side Fin to the bumper with provided M6 25mm Bolt, Finishing Washer, Washer, and Nut

NOTE: We recommend removing the Splash Guard to get access behind the bumper

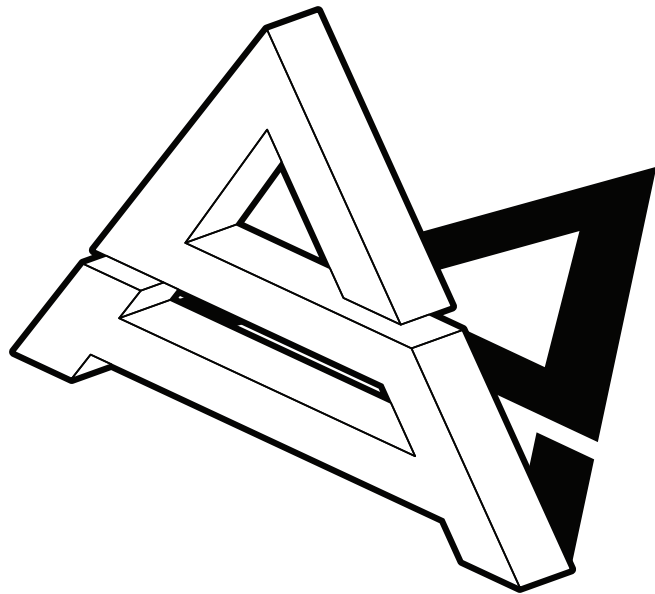
NOTE: Reach under or to the side of the bumper to place the Washer and Nut inside the bumper

Repeat to install Passenger Side Fin to the bumper



THANK YOU

Thank you for trusting in our brand. We design these products with you in mind. We hope you love it as much as we do! Welcome to the Street Aero family!



STREET AERO

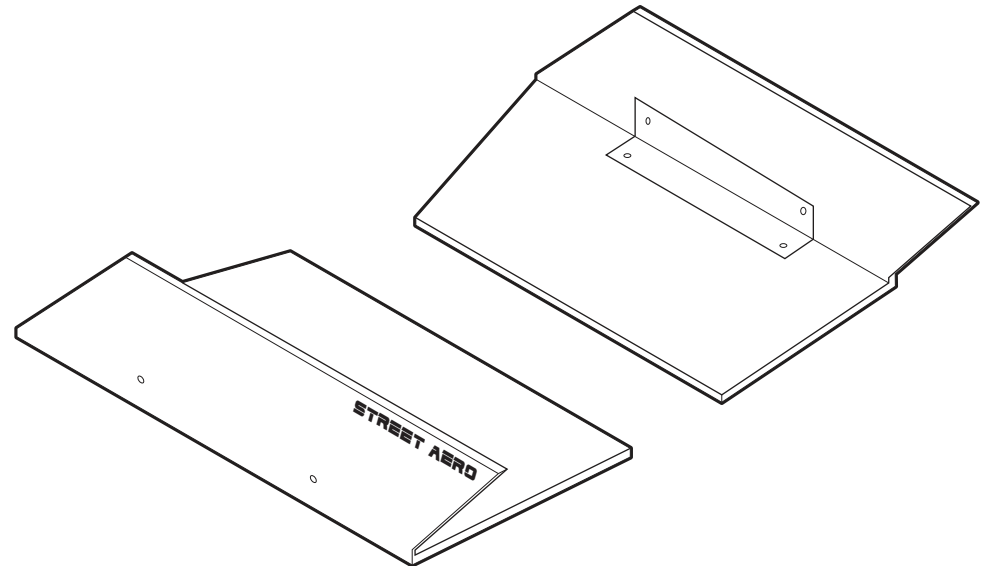


INSTALLATION GUIDE

Universal Side Fin

OG Edition

ACM Rear Diffuser



s-rsfa-uni-01

www.streetaero.com

info@streetaero.com