



Lab and testing equipment



Hunting & military optics



Studio and lighting equipment



TM



Military equipment

Photography and cinema lenses



"Overall the Beta Shell 5 case offers extreme rugged protection against all elements at a somewhat affordable price with great quality construction and user friendliness. For what it's worth, we can highly recommend the Beta Shell 5 series of cases to anyone thinking about purchasing them for their next wild shooting adventure." - **Gadget Mac, 2012**

"Sometimes we need a little extra security. That's why we like the Beta Shell lens case...to keep your best lenses safe and sound even if, perish the thought, you're forced to stow them with the luggage under the plane." - **Photo District News, 2011**

"The rundown of the Beta Shell's specs are full of brawniness—steel screws, adhesive-blocked seams, neoprene and visco-elastic impact foam—the point being that you can drop this sucker, have it rained on, and maybe have a wolf take a chomp at it, and the delicate lens inside will stand a decent chance of survival." - **Gizmodo.com, 2010**

BETA Shell™ Series 6

Dirt. Water. Impact.
No problem.



Our patented BETA Shell™ Series 6 cases provide commercial grade protection for transporting sensitive and expensive equipment. The rigid cylindrical design is water-proof, crush-proof and provides excellent impact resistance. Made from solid 6mm+ thick impact resistant ABS polymer, our BETA Shell™ cases allow transport of equipment into the world's most demanding environments.

Ideal for-

- Large photography lenses
- Cinema lenses
- Large commercial / industrial optics
- Camera bodies
- Hunting spotting scopes & optics
- Military optics

Uncompromising Design

Our primary design goal was simple – protect your equipment. Our Series 6 cases are designed to exceed your expectations in protecting your equipment in any transport condition. Tough, easy to use, and absolutely reliable – BETA Shell™ cases are the ideal companion for your critical equipment.

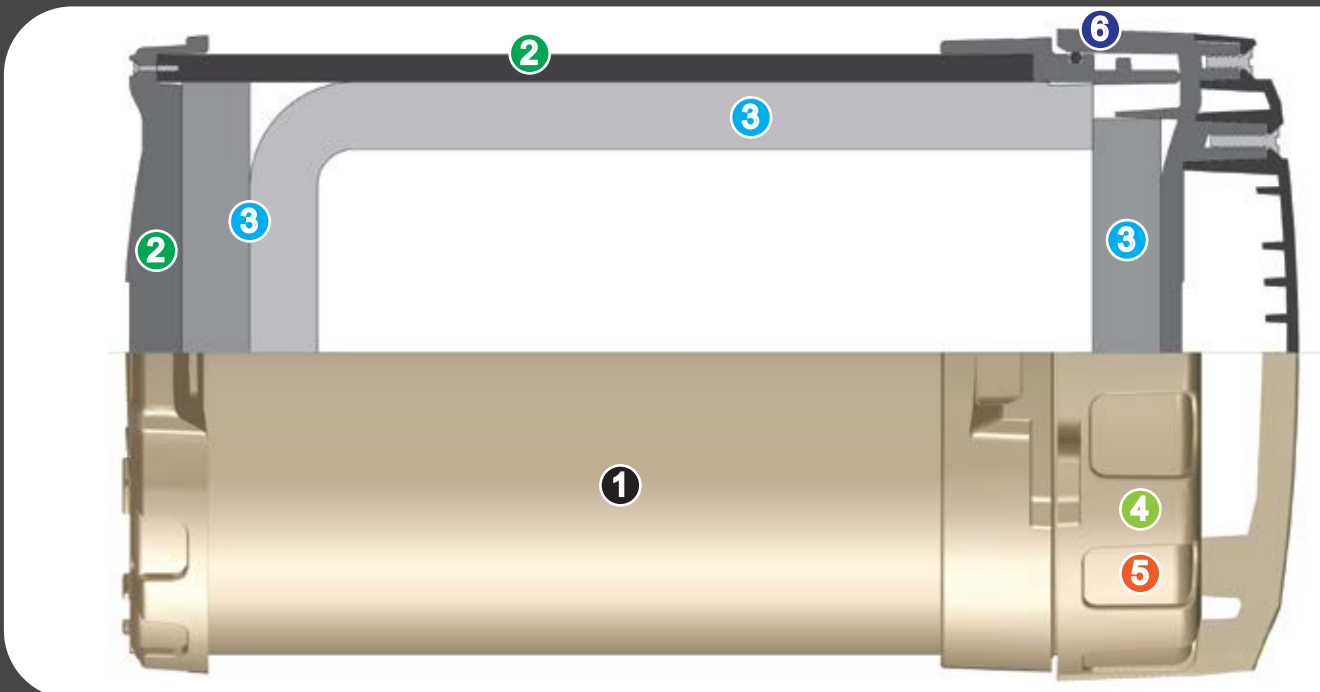
- ① Rigid cylindrical body is incredibly strong and weight efficient.
- ② Patented Tri-Lock lid provides easy access with no latches or moving parts.
- ③ Over-sized top handle for easy opening, closing, and handling.
- ④ Heavy-duty 70 durometer O-ring provides an absolute water-proof seal.
- ⑤ X-design liner wraps itself around a wide range of equipment providing excellent impact damping.
- ⑥ Medium density polyethylene foam liner limits shock exposure to equipment.
- ⑦ Foam liner allows for storage of moisture absorbing silica packets.
- ⑧ Lockable lid with TSA approved lock or similar.
- ⑨ Wide nylon side handle with intergrated attach points for shoulder strap option.
- ⑩ Exterior finish available in Black Urban Pattern (BUP) & Flat Earth Pattern (FEP).
- ⑪ 12mm thick heavy-duty lower end section for long life and impact protection.



Unrivaled Construction



- ① Commercial grade materials and construction for extreme durability.
- ② Made from solid 6mm+ thick impact resistant ABS polymer.
- ③ Dual material Polyethylene impact damping liners contour around gear.
- ④ Lid opens quickly & closes securely with only 35 degrees of rotation.
- ⑤ Patented Tri-Lock Lid will not spin off or open with transport impact & vibrations.
- ⑥ Lid closing & opening force adjustable with O-ring selection.
- ⑦ Four steel 1/4X20 UNC inserts provide integrated mounting points for rigid attachment.
- ⑧ MOLLE compatible attachment with optional MOLLE mount kit.



Technical Specifications & Dimensions

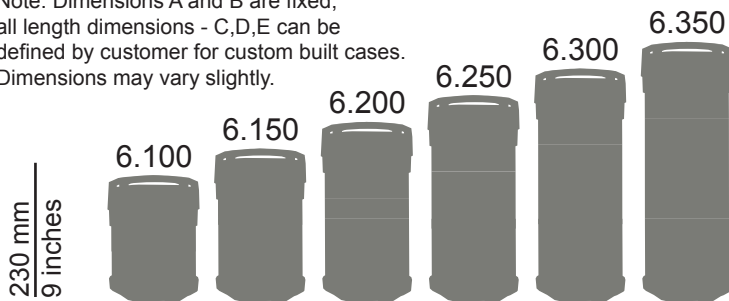
Technical Specifications

Case Description	- Rigid, cylindrical, impact-resistant and water-proof polymer case.
Case Mass (kg)	- 6.100 -1.08kg, 6.150 -1.25kg, 6.200 -1.42kg, 6.250 -1.60kg, 6.300 -1.95kg
Case Material	- Impact Resistant Acrylonitrile Butadiene Styrene (ABS) Polymer
Water-proof Rating	- IP-67 or better, 1M depth submersion for 30 minutes with no water entry
Min. case wall thickness (mm/inch)	- 6.3mm / .25inch
Lid Type	- Patented BETA Shell™ Tri-Start Type, ABS Polymer, single piece
Lid Open / Close Torque (N-m / lbf-ft)	- 6.8N-m / 5 lbf-ft
Lid Open / Close Ang. Rotation (deg)	- 35 degrees
O-Ring Type (light / std. / heavy)	- 252 BN70 / 253 BN70 / 254 BN70
Interior Liner Type	- Open-cell foam, 19mm / .75inch thick, six leg cross, removable
Lid / Lower Liner Type	- Closed-cell Polyethelene foam, 19mm / .75inch thick, 2 disks
Strap Type	- 25mm wide woven nylon, removable
Strap Attachment Type	- 2 X Polymer D-rings, black
Rigid Attachment Type	- 4 X Steel inserts, 1/4 X 20 UNC thread pitch
Exterior Color Finishes	- Black Urban Pattern (BUP), Flat Earth Pattern (FEP) Custom exterior finishes available for high volume customers
Country of Origin	- U.S.A.

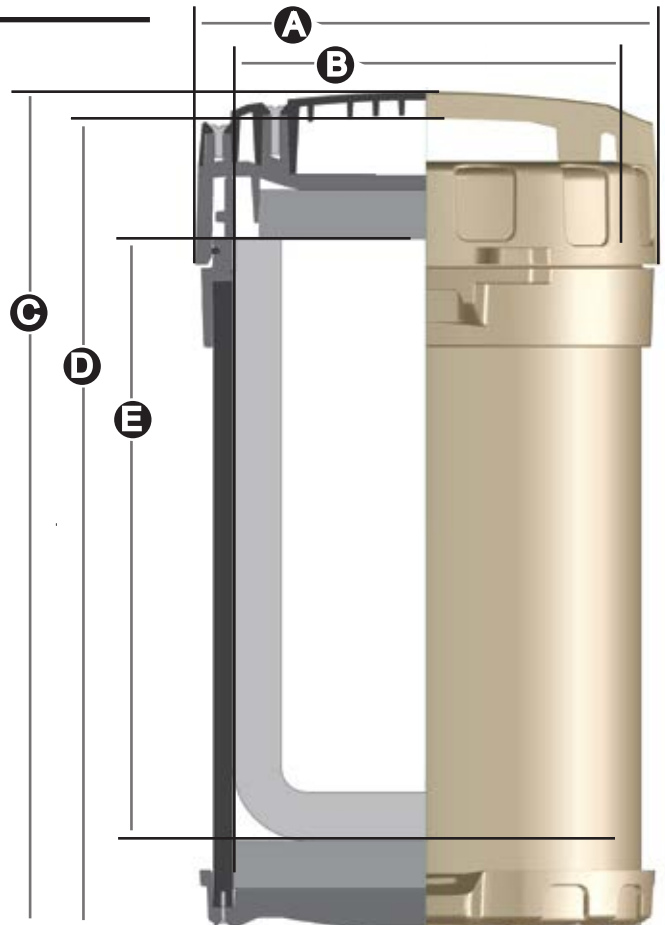
Dimensions

Model	A Ext. Diameter (mm/inch)	B Internal Max. Diameter	C Overall Height	D Height to Lid Top	E Internal Max. Length
6.100	176 / 6.93	153 / 6.00	179 / 7.04	152 / 5.98	125 / 4.92
6.150			229 / 9.01	202 / 7.96	175 / 6.89
6.200			279 / 11.0	252 / 9.92	225 / 8.86
6.250			329 / 12.9	302 / 11.9	275 / 10.8
6.300			379 / 14.9	352 / 13.8	325 / 12.8
6.350			429 / 16.8	402 / 15.8	375 / 14.7

Note: Dimensions A and B are fixed, all length dimensions - C,D,E can be defined by customer for custom built cases. Dimensions may vary slightly.



6 standard models. Custom sizes are available.



V.91516

BETA Shell™ Product Line 2017

Series 5C - Perfected compact protection

Ideal for - Compact photo & video lenses, firearm suppressors

- >Compact & packable version of Series 5
- >Rigid & cylindrical ABS construction
- >Impact resistant & crush proof design
- >Waterproof to 1M submersion
- >Easy to open/close ribbed lid
- >Patented memory foam system



6 Models - 5.70C, 5.90C, 5.120C & for suppressors - 5.180C, 5.220C, 5.250C

Series 5 - Perfected protection

Ideal for - Photo & video lenses, hunting & military optics, sensitive equipment

- >Best selling BETA Shell™
- >Rigid & cylindrical ABS construction
- >Impact resistant & crush proof
- >Waterproof to 1M submersion
- >Easy open/close ribbed lid
- >Patented memory foam system
- >Fit&Trim kits for storage versatility
- >Versatile X-Design Foam liner (5X)



6 Models - 5.100, 5.140, 5.180, 5.220, 5.260, 5.300

Series 6 - Professional protection

Ideal for - Large photo & cinema lenses, hunting & military optics commercial & industrial equipment

- >All new BETA Shell™ specifically designed for larger gear
- >Rigid & cylindrical 6mm thick solid ABS construction
- >Impact & crush proof
- >Waterproof to 1M submersion (IP-67+)
- >Over-sized lid with adjustable open/close torque
- >Dual material 19mm thick X-Design impact liner
- >Multiple attachment points & MOLLE compatible
- >Available in Black Urban Pattern and Flat Earth Pattern



6 Models - 6.100, 6.150, 6.200, 6.250, 6.300, 6.350

Series 6 Core - Versatile protection for various applications

Ideal for - firearms range use, exterior storage of equipment or supplies, long-term underground burial of gear

- >Identical in construction to Series 6, but without Dual Material Liners.
- >Made in the USA.

3 Models - 6.100 Core, 6.150 Core, 6.200 Core

