



INSTRUCTIONS - "CHICKPLATE" ELECTRIC HEATING PLATE

Models: WP-25, WP-30, WP-40, WP-50 & WP-60

Congratulations on purchasing your Chickplate from Brookfield Poultry Equipment! Please ensure to read these instructions carefully so that you can get the most out of your new equipment .

WHAT'S IN THE BOX:

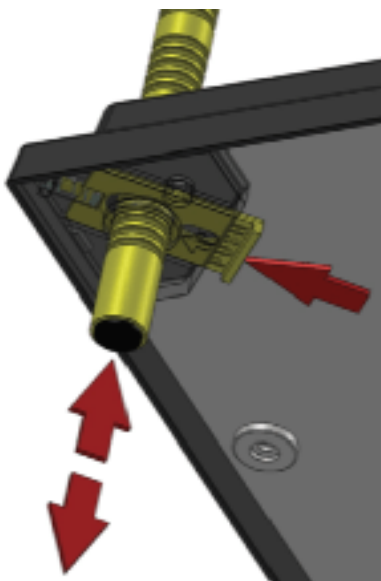
1 x CHICKPLATE
4x yellow mounting legs

PLEASE NOTE: WE RECOMMEND TO COVER THE TOP OF YOUR CHICKPLATE WITH CONTACT (PLASTIC FILM) OR SIMILAR TO PROTECT ITS CONDITION FROM THE CHICKS SITTING ON TOP OF IT.

MOUNTING LEGS:

The legs have a top & a bottom end. This is easy to recognise as the topside is round and the bottom has a black rubber support. Make sure you insert all 4 legs 'round the correct way.

Underneath the CHICKPLATE, in the four corners, are movable brackets marked "PUSH". Push on the yellow bracket and move the head of the yellow leg from underneath the CHICKPLATE through the hole.



Release the bracket when the preferred height is reached. Make sure all legs are set at the same height.

HEIGHT OF CHICKPLATE FROM THE GROUND:

It is important to know that a CHICKPLATE heating plate is not a heat source like a heat bulb. A heat bulb becomes very hot all over and radiates most of this heat downwards. A CHICKPLATE is completely different as only the surface of the underside of the plate heats up.

*******PLEASE BE AWARE HOWEVER THAT THE UNDERSIDE GETS VERY HOT AND SHOULD NOT BE TOUCHED WITH YOUR HAND!!*******

!!THIS IS VERY IMPORTANT!!

The manufacturer recommends to set the CHICKPLATE height so that the chicks can touch the heat plate, especially when they are newly hatched. At Brookfield Poultry Equipment however we urge you to set the height slightly higher than the new chickens so that whilst they are getting used to their new surrounds they are not in danger of getting too close and burning themselves. You can always bring the height down if you think they are not warm enough just don't set it too low too early.

A good indication of the right height will be from watching how happy the chicks are underneath it.

TOO COLD: If they are chirping too much and are huddled up together.

TOO HOT: they won't go underneath because it is too hot or they can't get underneath properly it is too low.

GOOD HEIGHT: If they quietly lay down underneath in a relaxed manner you know you have the height right.

Make sure you adjust the height up as the chicks grow.

PLEASE ALSO NEVER SET THE CHICKPLATE ANY LOWER THAN 3CM FROM ANY OF THE LITTER USED UNDERNEATH.

Cleaning:

Please only use a damp cloth and no water should be poured on the plate to clean it. Never submerge it in water! The plastic film placed over the top can be removed and replaced when necessary to keep the CHICKPLATE in good condition.

Safety features:

The CHICKPLATE has 2 safety features to avoid short circuiting and overheating. One is a resistance fuse 0.5AMP and a temperature fuse of 120 degrees celsius.

IMPORTANT:

PLEASE USE THE HEATING PLATE AS IT HAS BEEN DESIGNED. IE. IN IT'S CORRECT POSITION WITH HEATING PLATE DOWN AND THE 4 LEGS IN THEIR INTENDED POSITIONS. ANY OTHER USE (INCLUDING WHEN THE PRODUCT IS OPENED OR MODIFIED IN ANY WAY) OR USED WITHOUT IT'S LEGS IN PLACE LEADS TO A VOID IN WARRANTY AND EXCEEDS THE RESPONSIBILITY OF THE SUPPLIER & MANUFACTURER.

THANKS ONCE AGAIN FOR PURCHASING A CHICKPLATE HEATING PLATE AND HAPPY BROODING!!

<https://brookfieldpoultryequipment.com/>

