

#6738 – Watex Solar Tap Timer Operation Manuals

A. Product Overview

① Swivel Connector

② Solar Panel

③ Enter Button

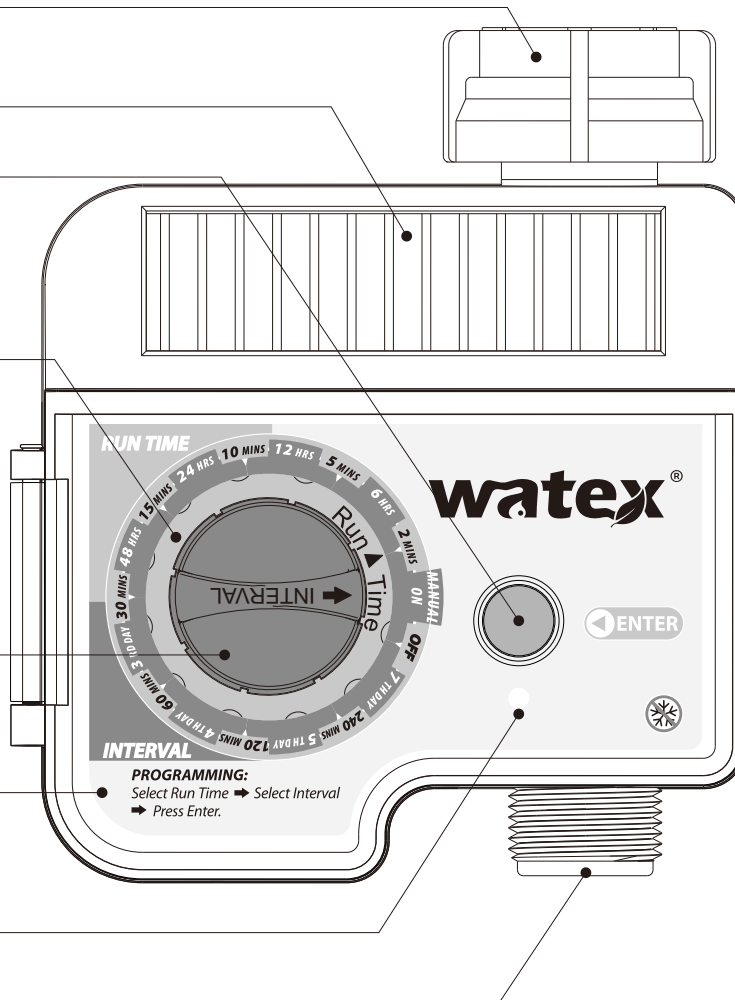
④ Run Time Knob (Green)

⑤ Interval Knob (Blue)

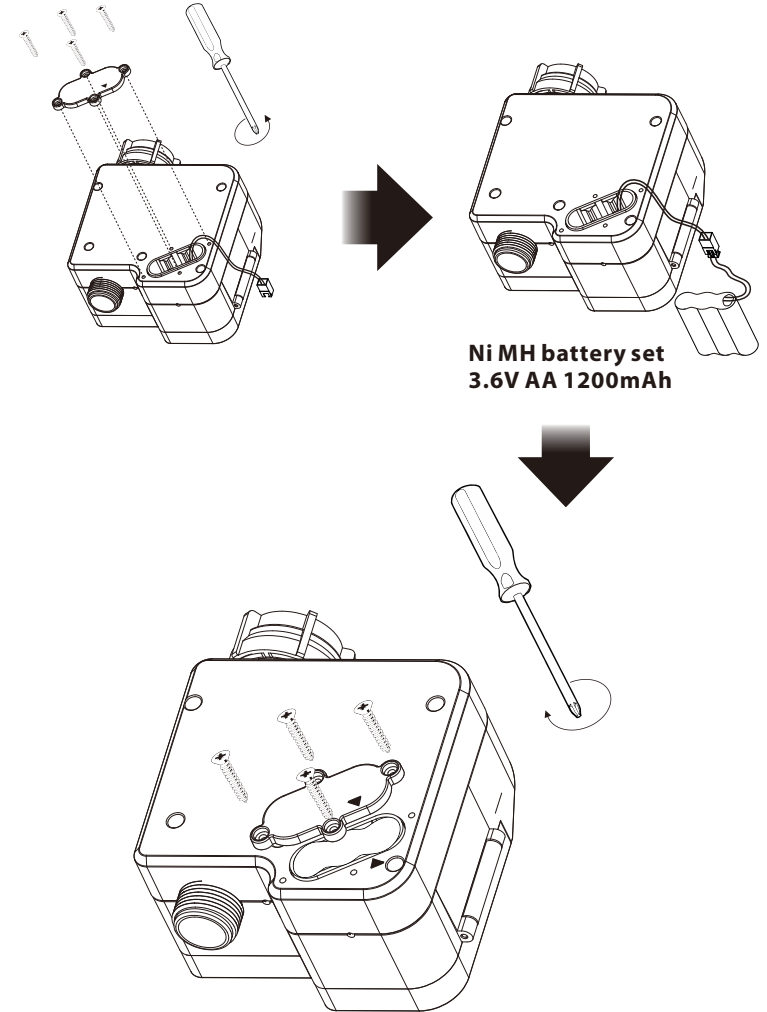
⑥ Transparent Cover

⑦ LED Indicate Light

⑧ 3/4" Male Thread



B. Rechargeable Battery Included

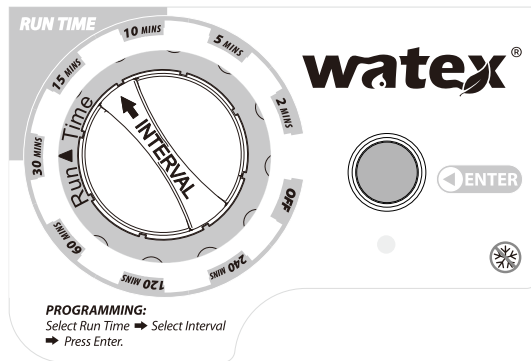


#6738 – Watex Solar Tap Timer Operation Manuals

C. Auto Irrigation Program set up

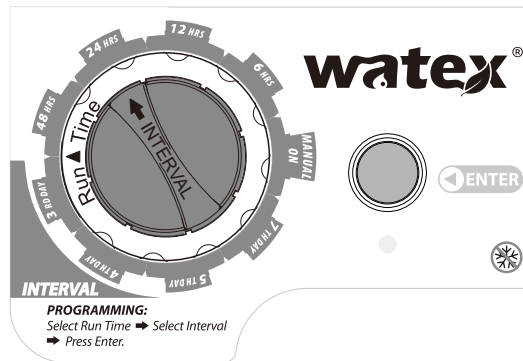
1. Select a watering run time by turning the Green knob enable the mark ► point to the watering duration you want.

Ex. the below drawing shown a watering run time of 30 minutes.



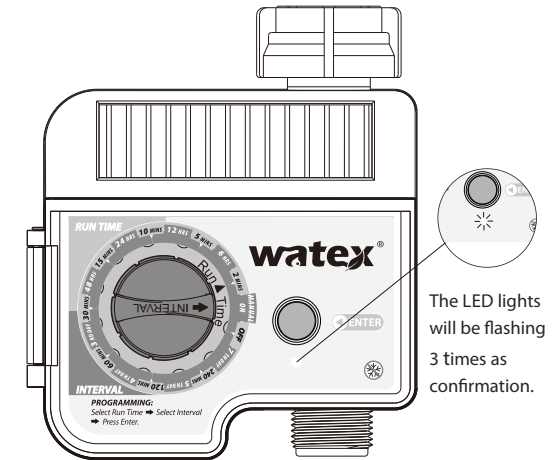
2. Select an interval of next watering cycle by turn the Blue knob enable the mark ➔ point to the interval you want.

Ex. the below drawing shown an interval of 24 hours.



3. Push the enter button and then the LED light will be flashing as confirmation. The timer will execute the first watering right away.

Ex. the below drawing shown the timer will watering 30 minutes and repeating with 24 hours interval.



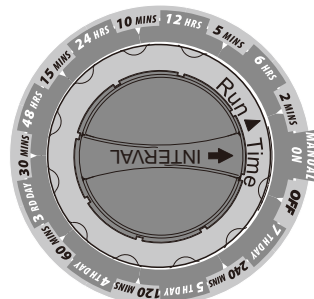
D. Manual on Watering

1. Turn Blue interval knob enable the mark ➔ point to Manual on position.

2. Selection the duration by Green Run Time knob.

3. Pushing enter button to start watering and the timer will shut off when run time is over.

Ex. the right drawing shown a 2 minutes manual on watering cycle.



E. Watering Manual Off

1. Turn the Green Run Time knob enable the mark ► point to Manual off position and pushing the enter button to stop current watering cycle.

2. Turn the knob away from Manual off position the timer will be back to previous setting watering program without pushing the enter button.

3. Once the enter button has been pushed the watering program will be changed to the status as the position pointed by both of Run Time and Interval knobs.

