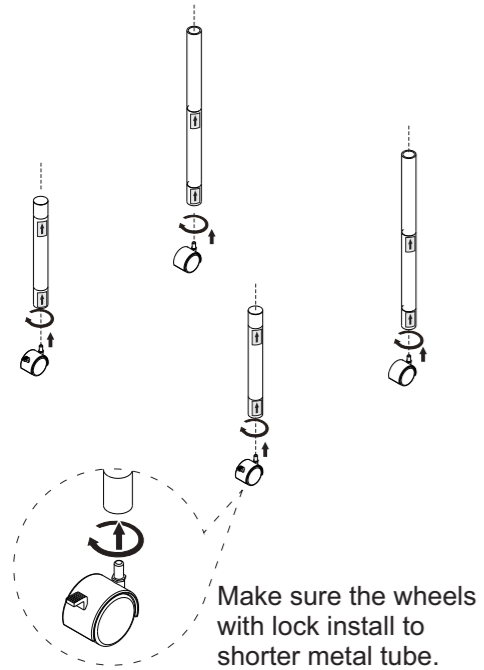


Installation Manual

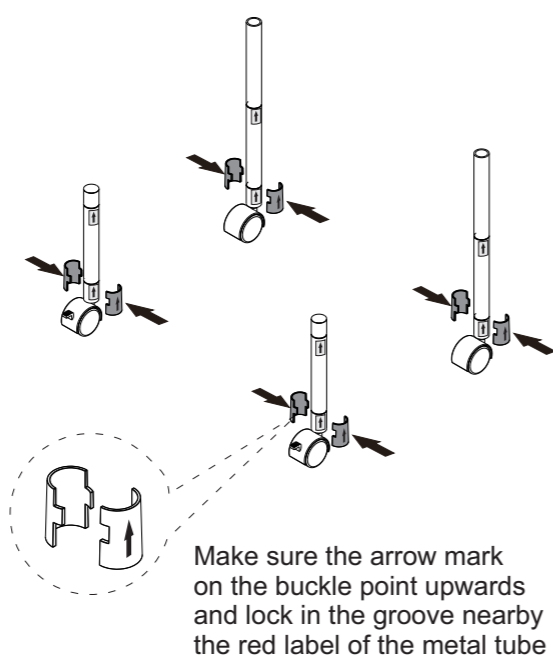
Single Frame Metal Mobile Green Wall (Item# 3409)



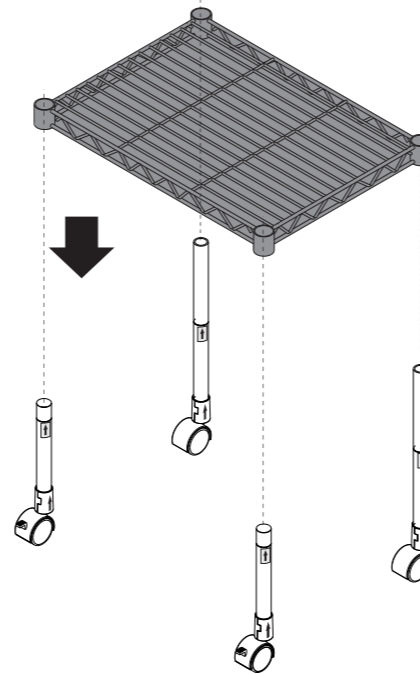
STEP 1



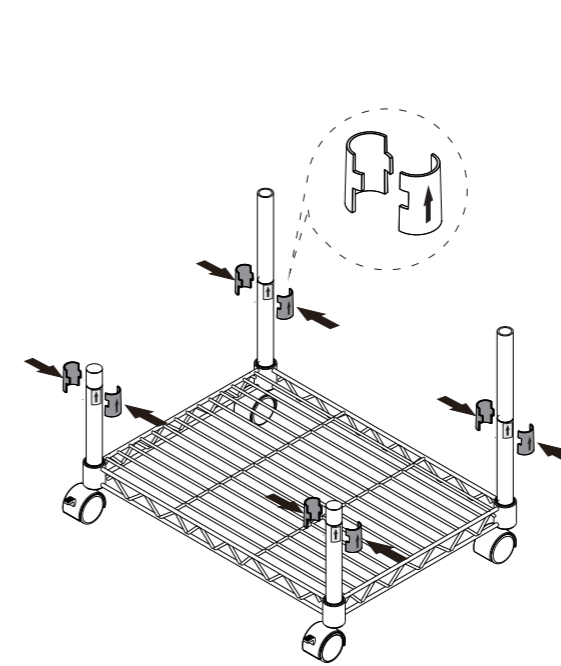
STEP 2



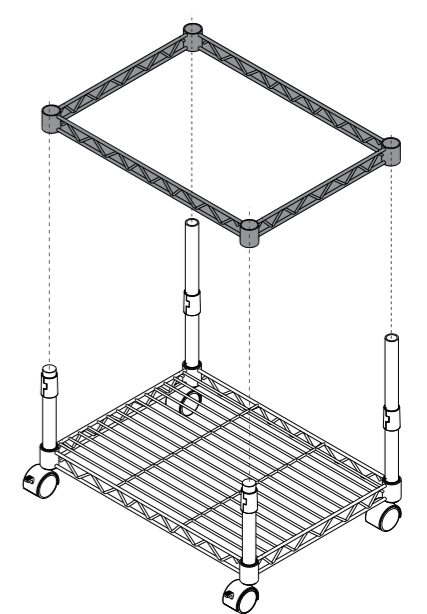
STEP 3



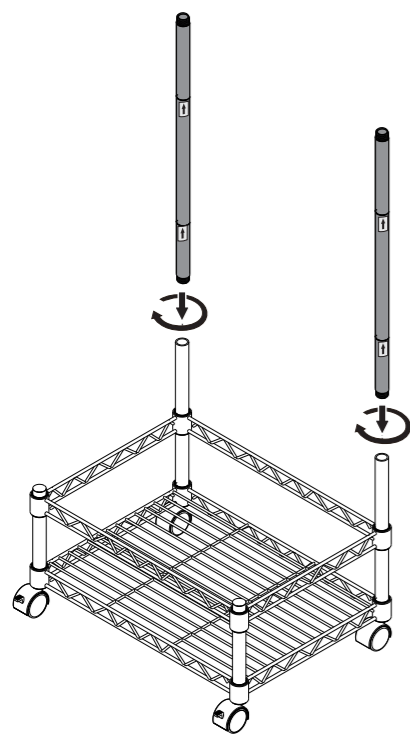
STEP 4



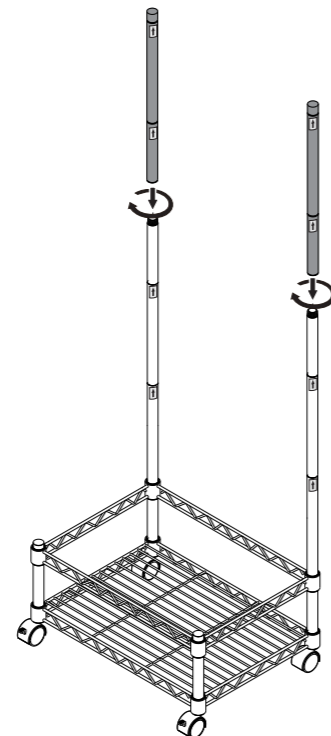
STEP 5



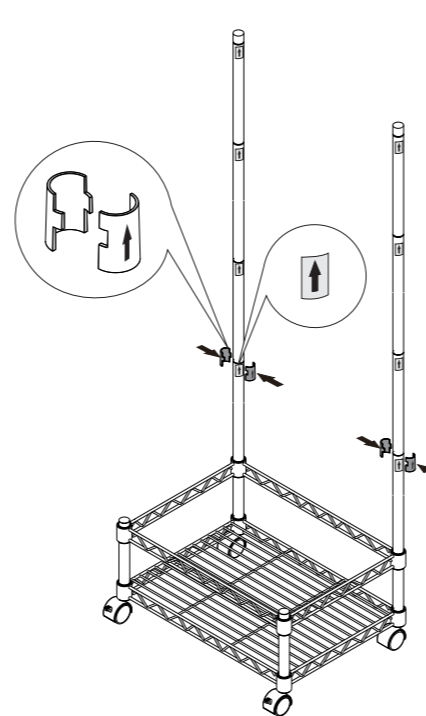
STEP 6



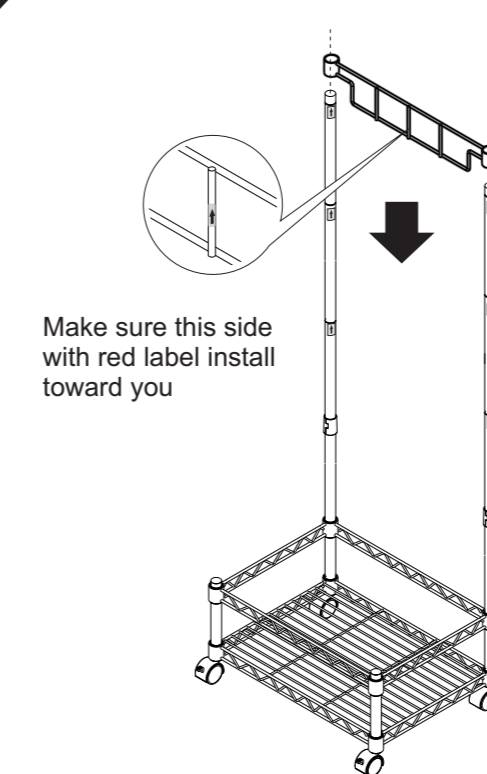
STEP 7



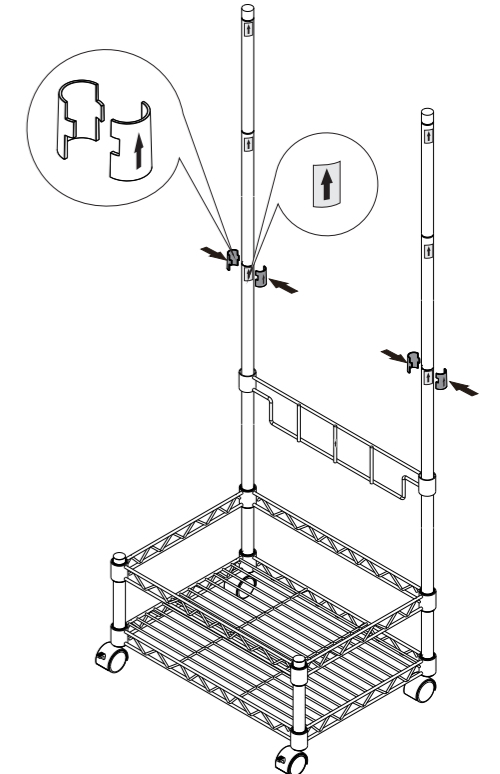
STEP 8



STEP 9



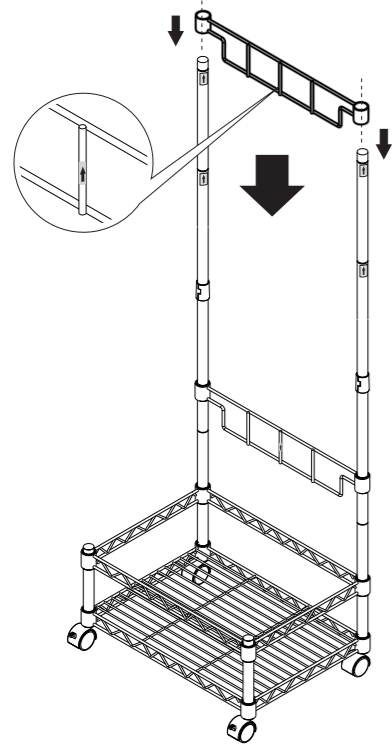
STEP 10



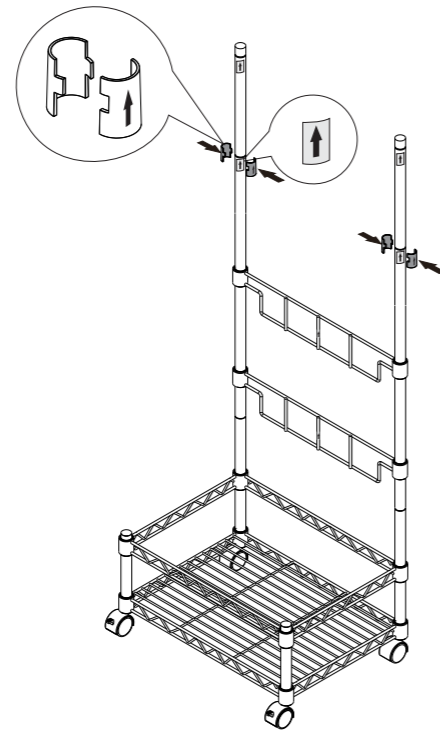
Installation Manual

Single Frame Metal Mobile Green Wall (Item# 3409)

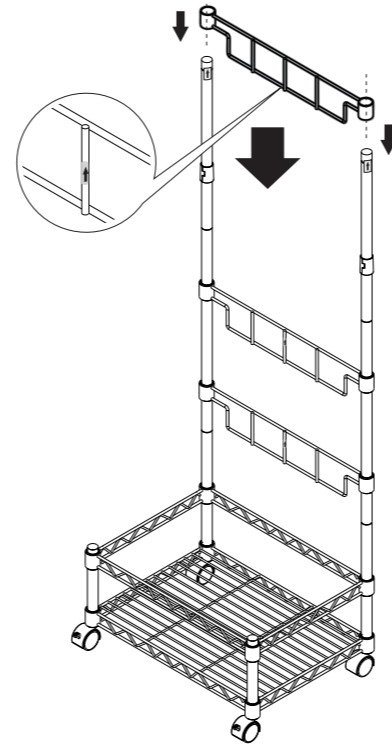
STEP 11



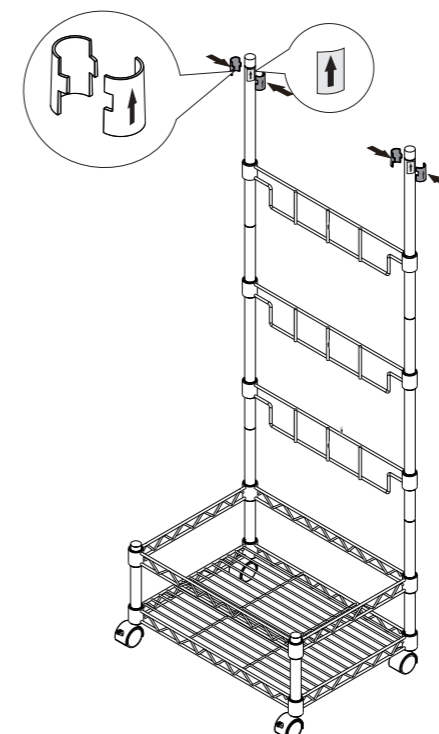
STEP 12



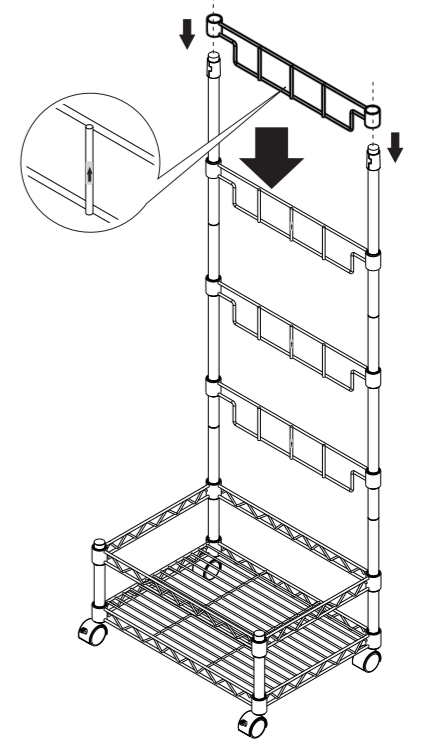
STEP 13



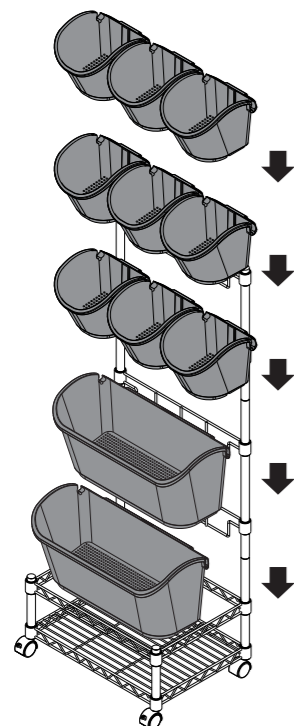
STEP 14



STEP 15

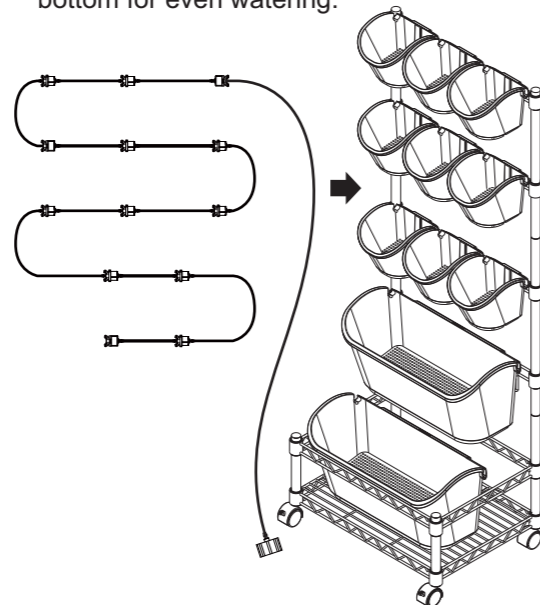


STEP 16



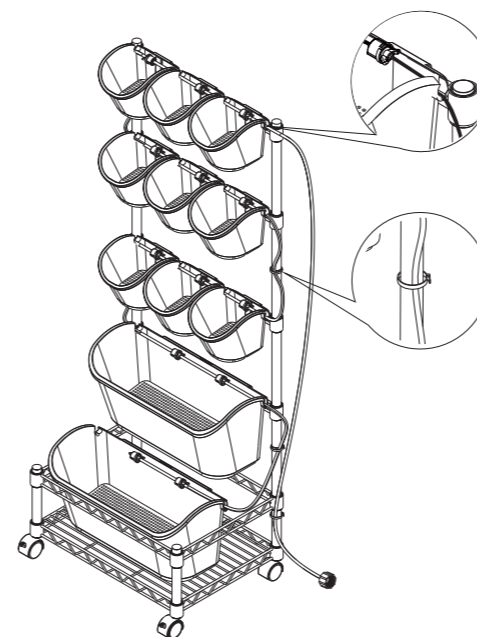
STEP 17

Apply pre assembled irrigation system to pots and be sure of placing it from top to bottom for even watering.

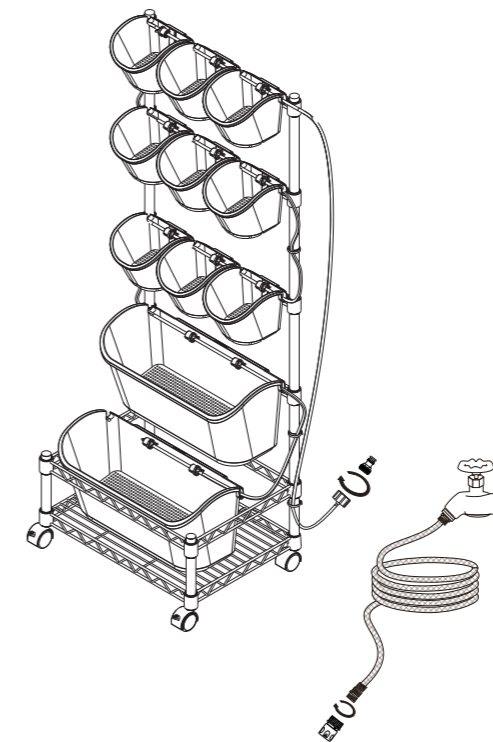


STEP 18

1. Make sure the dripper is installed in the middle position of the pot and then push the poly tubing into the groove of it and fixed.
2. Use cable tie to fix the tubing on the metal frame.



STEP 19



STEP 20

