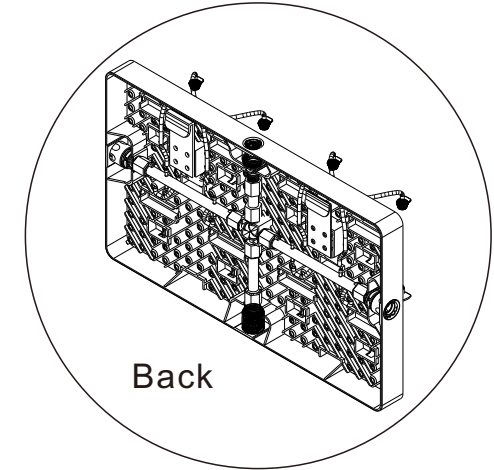
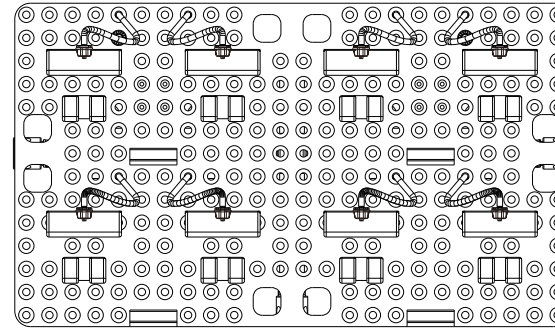
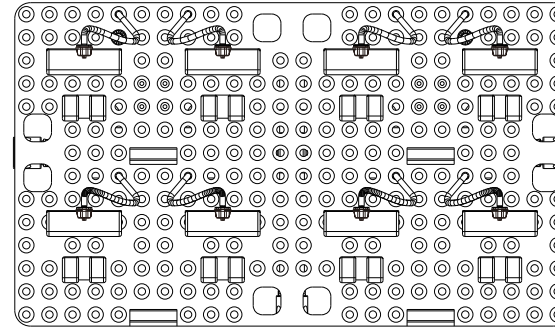
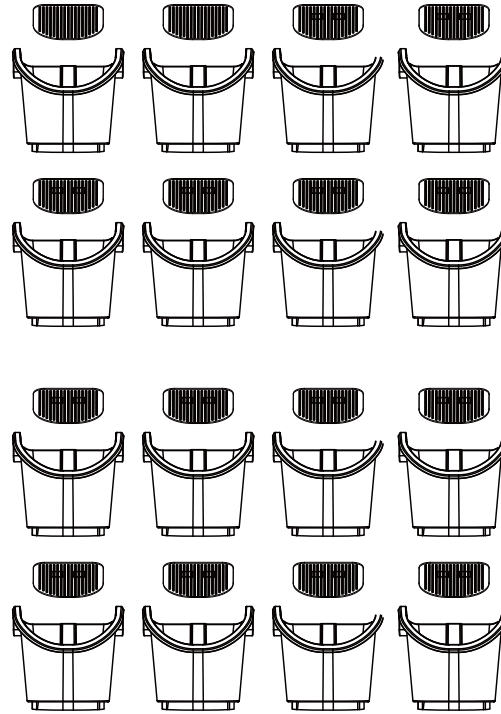
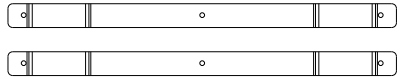
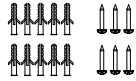
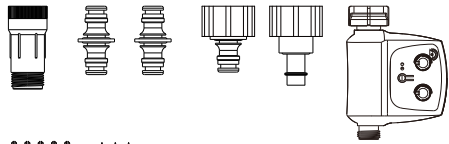


# INSTALLATION MANUAL

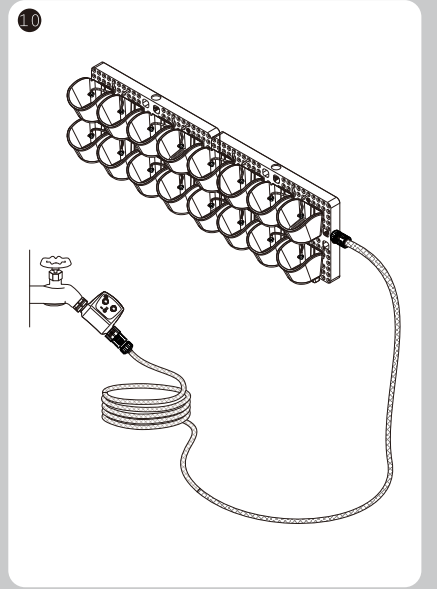
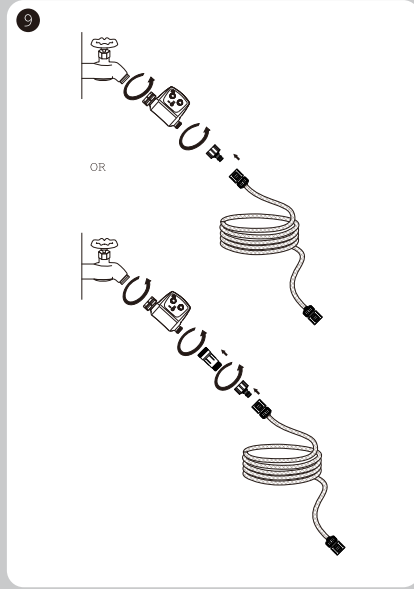
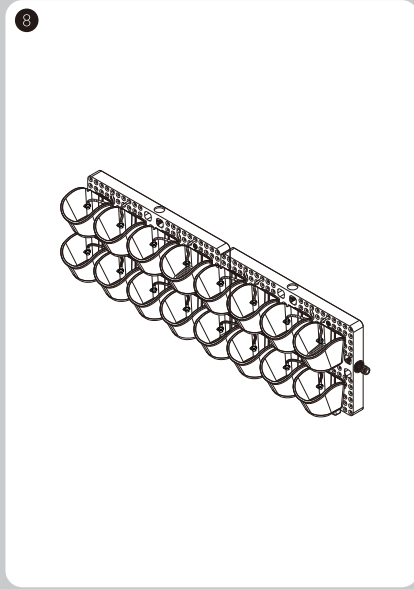
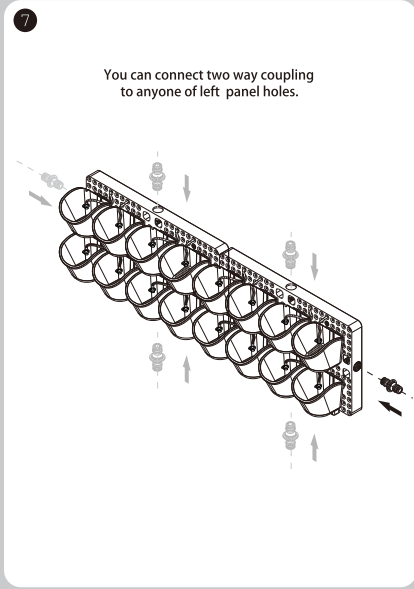
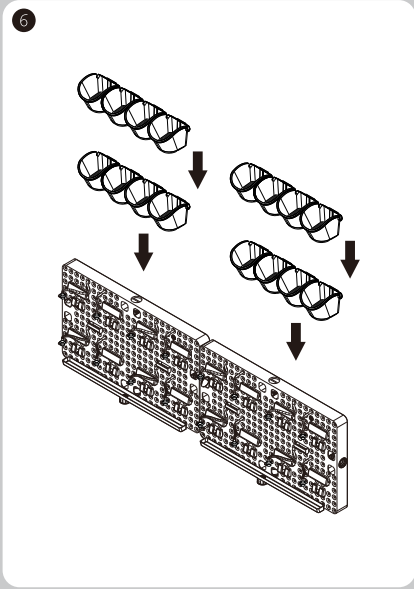
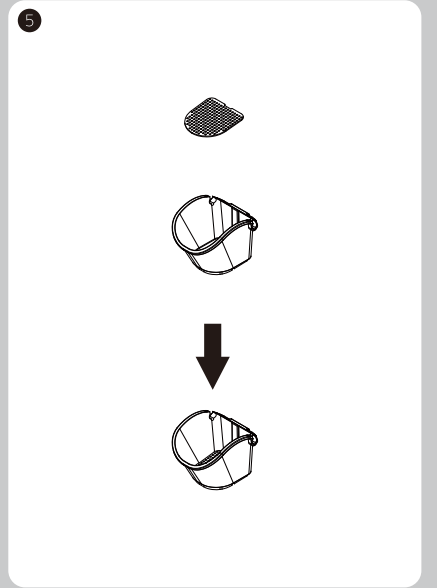
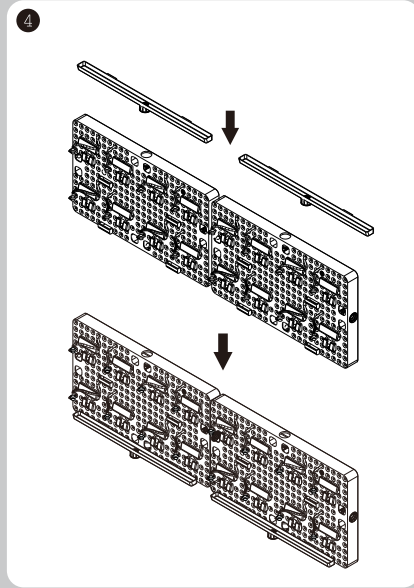
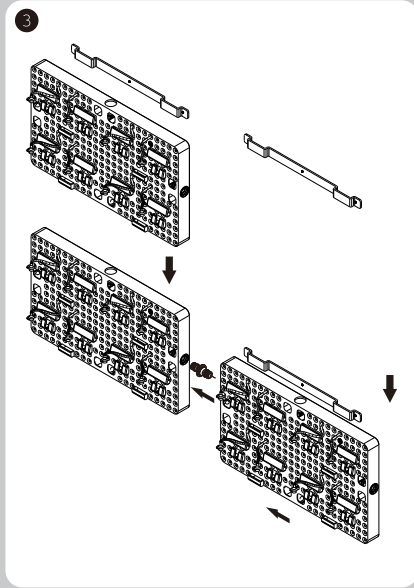
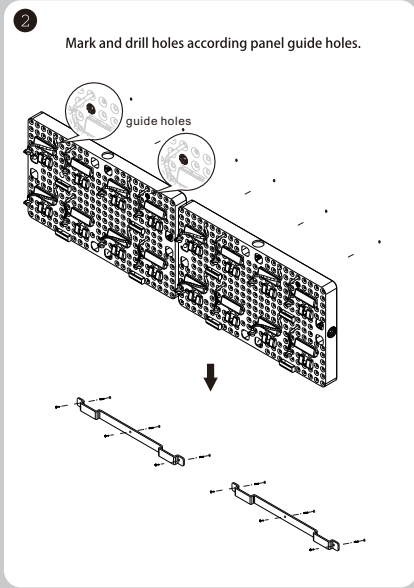
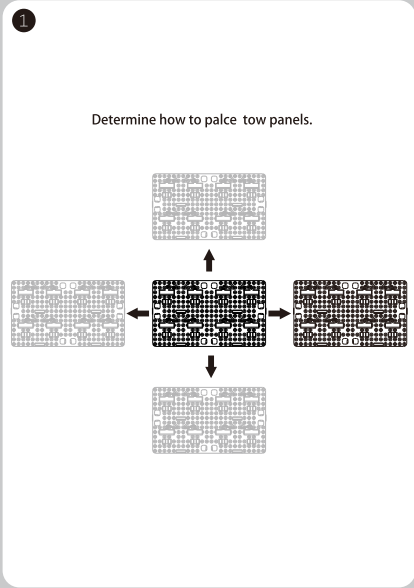
## EXPANDABLE GREEN WALL TWIN PACK W/ TAP TIMER (ITEM # 3200AT)



- a. Watex Green Wall Panel x 2 pcs
- b. Herb & Flower Pot x 16 pcs
- c. Drainage Tray x 2 pcs
- d. Stainless Steel Bracket x 2 pcs
- e. Screw anchor x 10 pcs
- f. 1/4" screw x 6 pcs
- g. Two way Coupling x 2 pcs
- h. 3/4" Tap Adaptor x 1 pc
- i. 3/4" Tap Adaptor with barb x 1 pc
- j. Pressure Reducer x 1 pc
- k. Watex Hose End Tap Timer Irrigation Controller x 1 pck.

# INSTALLATION MANUAL

## EXPANDABLE GREEN WALL TWIN PACK W/ TAP TIMER (ITEM # 3200AT)

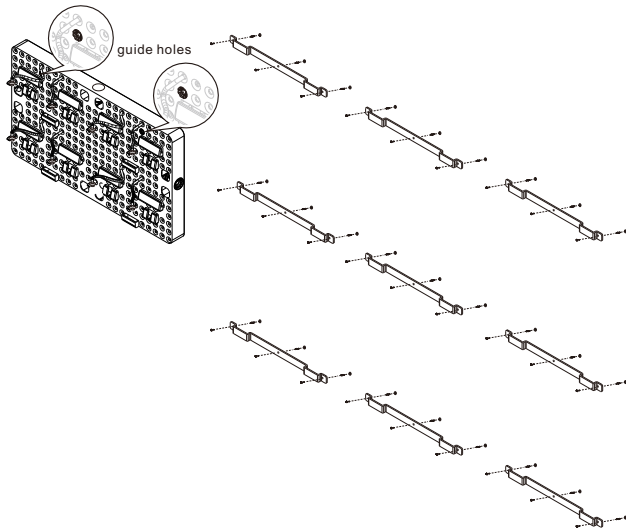


# INSTALLATION MANUAL

## EXPANDABLE GREEN WALL TWIN PACK W/ TAP TIMER (ITEM # 3200AT)

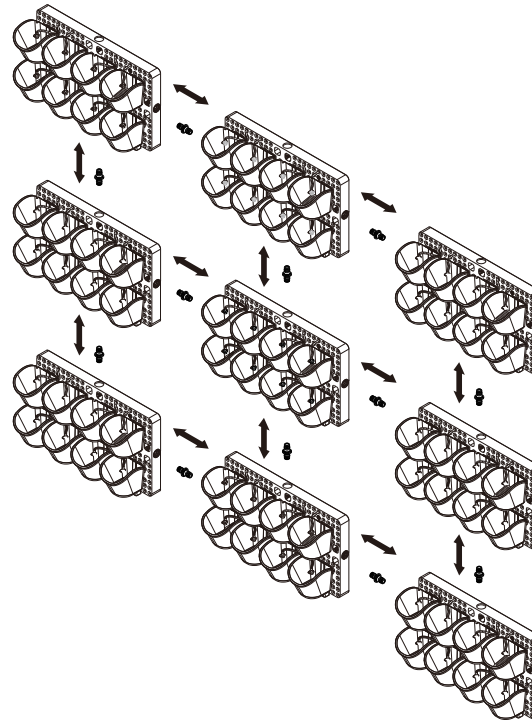
1

If you have more than two panels,  
Determine how many panels and the location  
You want to install.  
Mark and drill holes according panel guide holes.



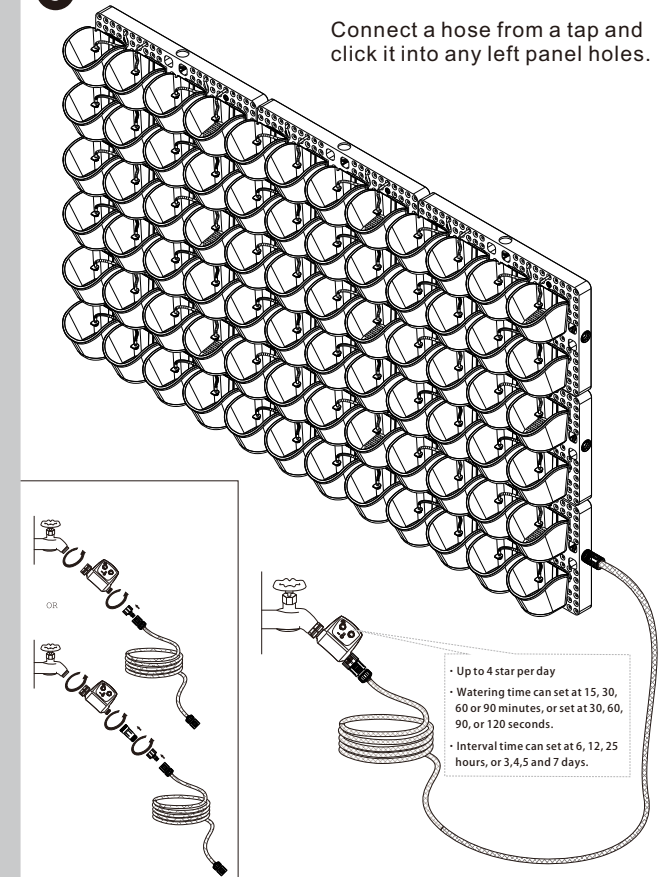
2

Make sure all panels are fitted to the wall and  
the watering path is interconnected property.



3

Connect a hose from a tap and  
click it into any left panel holes.



Note : battery is not included.