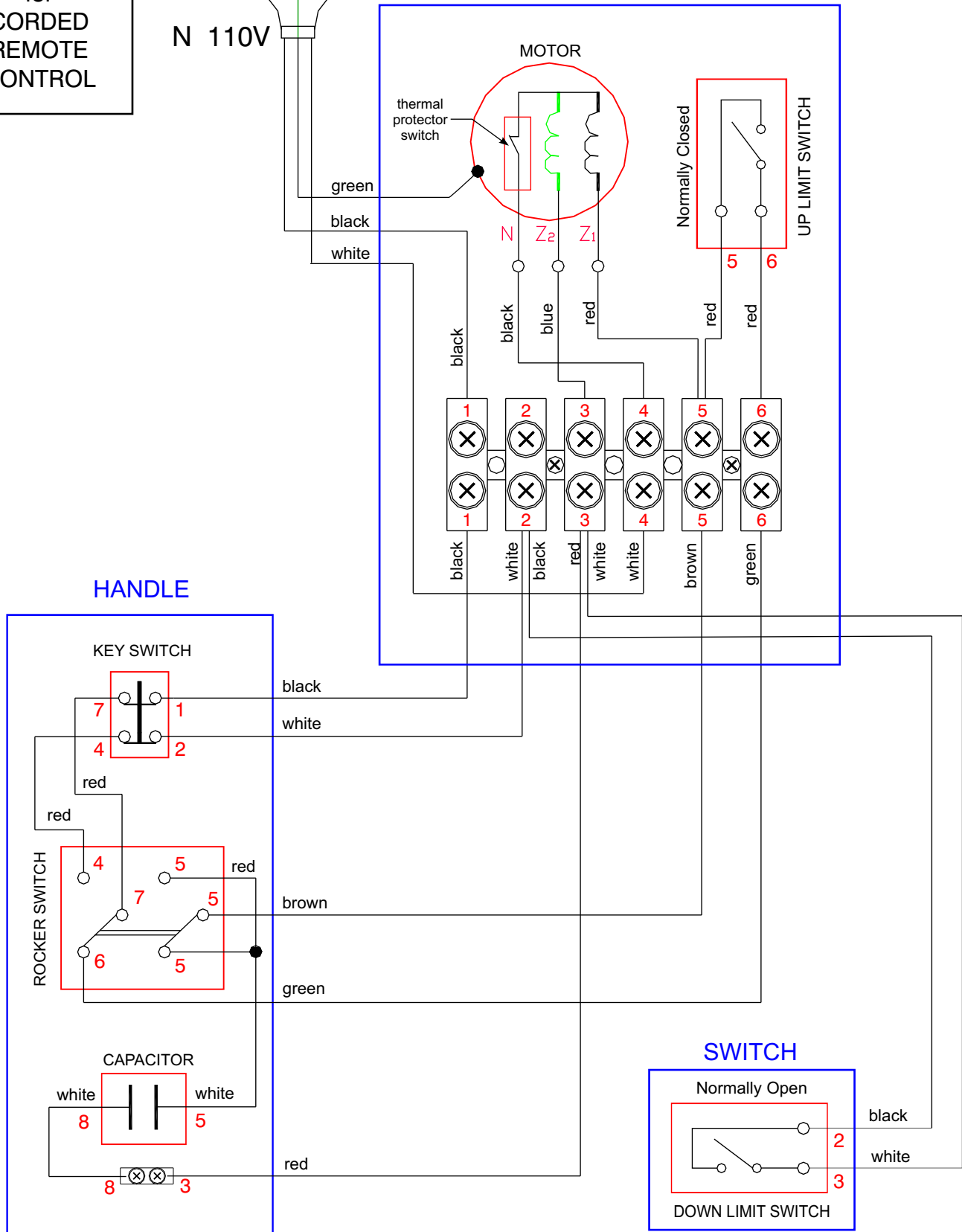


VERSA LIFT  
WIRING  
DIAGRAM  
for  
CORDED  
REMOTE  
CONTROL

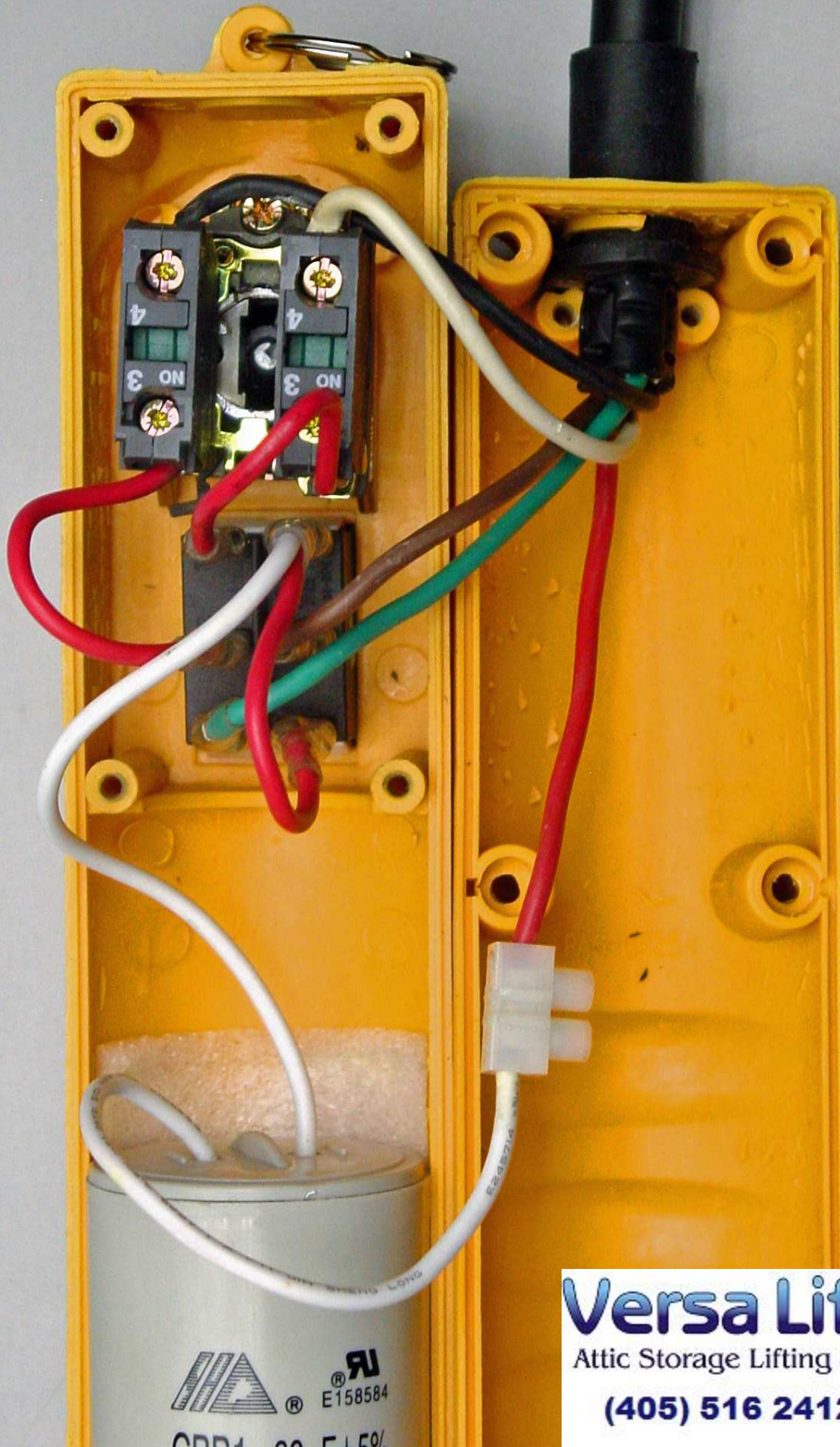
Rev 8-18-08

N 110V

MOTOR



REMOTE HANDLE



**Versa Lift** <sup>TM</sup>  
Attic Storage Lifting System  
**(405) 516 2412**