



# HT Lysing

Bead Mill Homogenizer



## ***Provides Simple and Powerful Solutions for Rapid High-Throughput Grinding***

The OHAUS HT (High Throughput) Lysing Bead Mill Lab Homogenizer offers efficient solutions for grinding, lysing, pulverizing, mixing and homogenizing sample preparations. High-throughput processing is ideal for multiple sample and tube configurations. Easy-to-load tray securely locks microplates, deep well plates or tubes in place. High-speed linear motion processes samples quickly. Maximize sample preparation no matter how difficult the task.

### ***Standard Features Include:***

- For high performance grinding, the HT Lysing Homogenizer is one of the most flexible models on the market. The built-in adjustable holder allows for easy processing of samples - no accessories needed.
- This versatile Homogenizer allows high throughput grinding, and is ideal for processing multiple tubes, microplates, deep-well plates, or any sample container that fits in the 10.2x12.7x6.4 cm holder.
- Take the guesswork out of sample preparation. Five preset programs optimized for speed and time to process the most common samples, including bacteria, fungi, plant, and animal tissue easily.

# HT Lysing Bead Mill Homogenizer

Model	HOHTDG
Speed Range	300 to 1600 rpm (1 rpm increments)
Motion	Reciprocal, 31 mm
Timer	1 second to 10 minutes (1 second increments)
Program 1	5 minutes @ 1500 rpm
Program 2	2 minutes @ 1500 rpm
Program 3	3 minutes @ 1300 rpm
Program 4	4 minutes @ 1500 rpm
Program 5	1 minute @ 1600 rpm
Capacity	1 deep well plate, 4 microplates, or any sample matrix that can fit in the 10.2 × 12.7 × 6.4 cm adjustable holder
Maxamim Capacity	300 g
Working Environment	41°F – 104°F / 5°C – 40°C, 20% – 85% RH, non-condensing
Dimensions (L × W × H)	17.5 × 11.3 × 20.4 in / 44.6 × 28.6 × 51.8 cm
Net Weight	59 lb / 26.8 kg
Ship Weight	84 lb / 38 kg

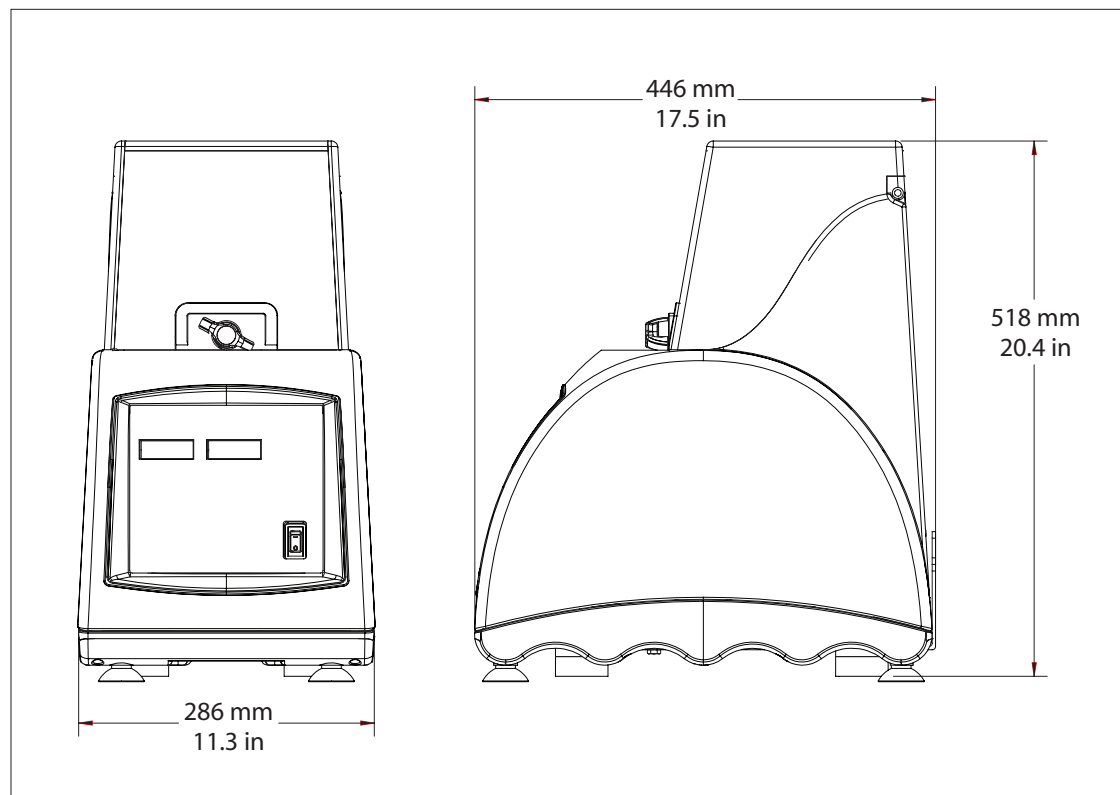
## Compliance

- **Product Safety:** EN 61010-1, EN 61010-2-051, CAN/CSA C22.2 61010-1, CAN/CSA-C22.2 61010-2-051, UL 61010-1
- **Electromagnetic Compatibility:** EN/IEC 61326-1, ICES-003, FCC Part 15

## Accessories

White, Bacteria, 2 mL skirted tube, DNase/RNase free, 100 µm Zirconium Beads, 100/box .....	30391402
Yellow, Yeast, 2 mL skirted tube, DNase/RNase free, 400 µm Zirconium Beads, 100/box .....	30391404
Blue, Fungi, 2 mL skirted tube, DNase/RNase free, 800 µm Zirconium Beads, 100/box .....	30391405
Orange, Soft Sample, 2 mL skirted tube, DNase/RNase free, 1.4 mm Zirconium Beads, 100/box .....	30391406
Green, Plant, 2 mL skirted tube, DNase/RNase free, 3 mm Zirconium Beads, 100/box .....	30391408
Red, Animal Tissue, 2 mL skirted tube, DNase/RNase free, 3 mm Stainless Steel Grinding Balls, 100/box .....	30391409
Brown, Environmental, 2 mL skirted tube, DNase/RNase free, 100 µm /800 µm/3 mm Zirconium Beads, 100/box ...	30391410
Tube Rack, 25 × 2 ml Tubes, 2 per pack .....	30391431
Sample Tube Kit, 14 Tubes; 2 each of White, Yellow, Blue, Orange, Green, Red, and Brown .....	30391433

## Dimensions



80775228\_B 20190702 © Copyright OHAUS Corporation

**OHAUS CORPORATION**  
7 Campus Drive  
Suite 310  
Parsippany, NJ 07054 USA

Tel: 800.672.7722  
973.377.9000  
Fax: 973.944.7177

[www.ohaus.com](http://www.ohaus.com)

*The management system  
governing the manufacture  
of this product  
is ISO 9001:2015 certified.*

