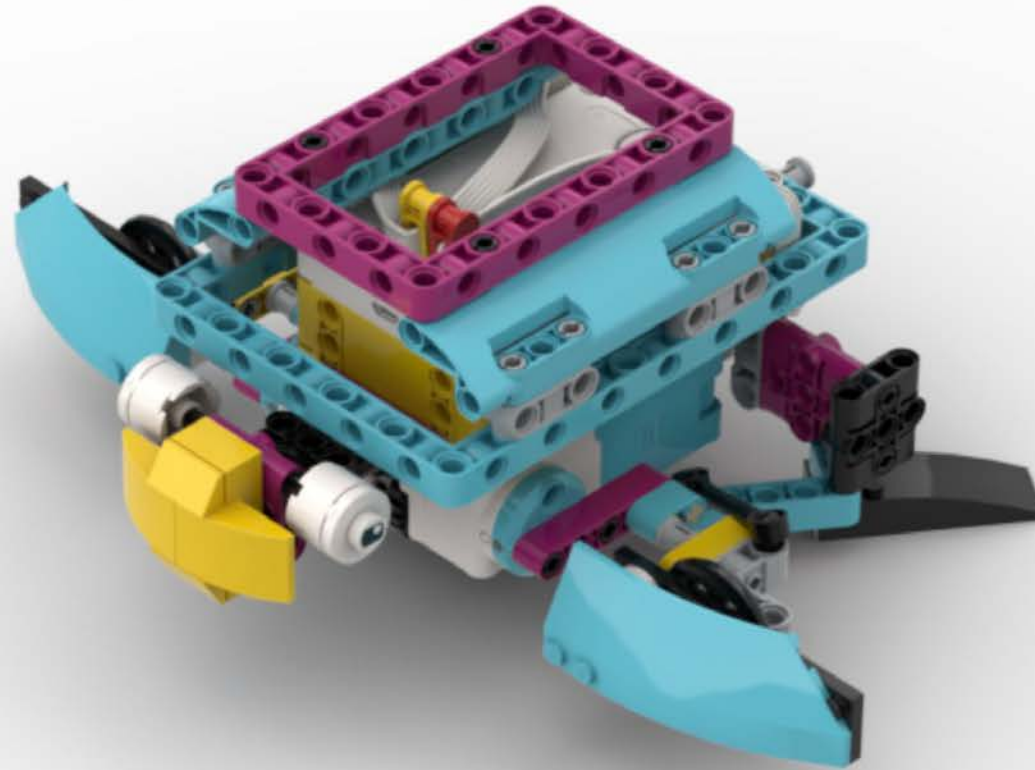




TURTLE PRIME

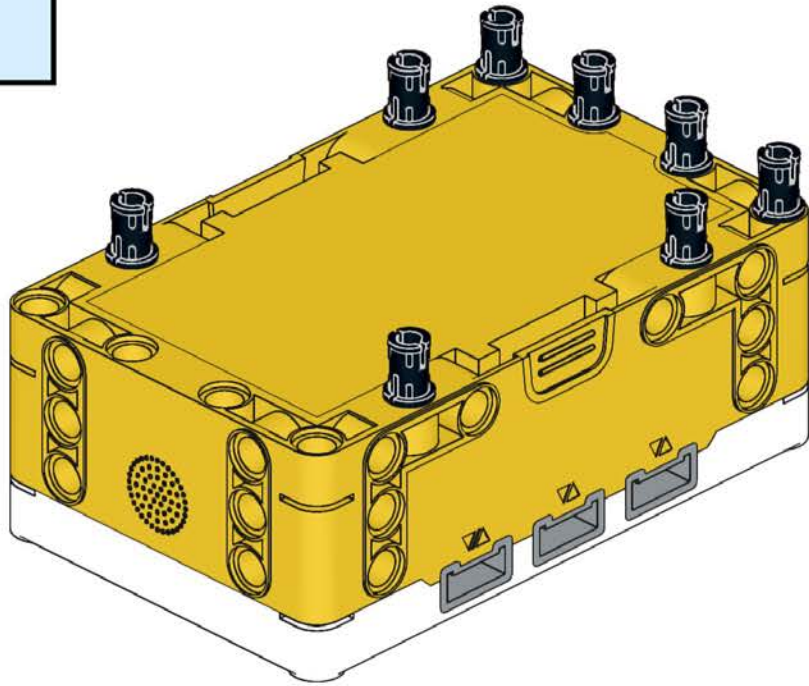
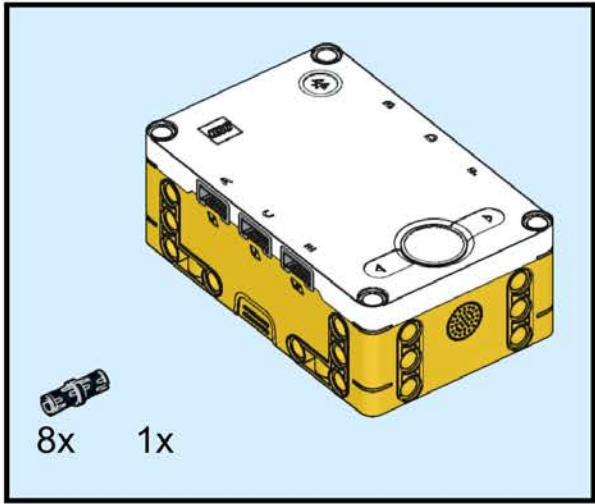


***Project by Creator Academy
Instructions by @Vladik.Bo***

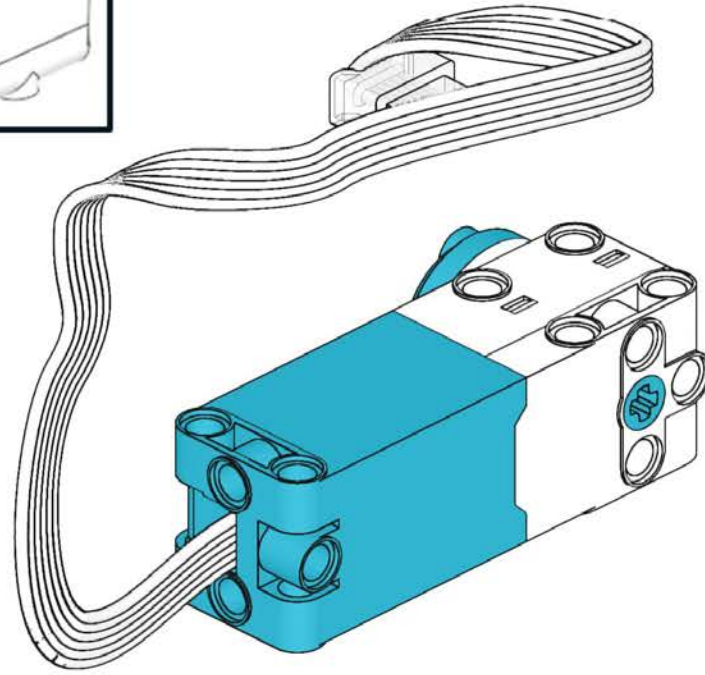
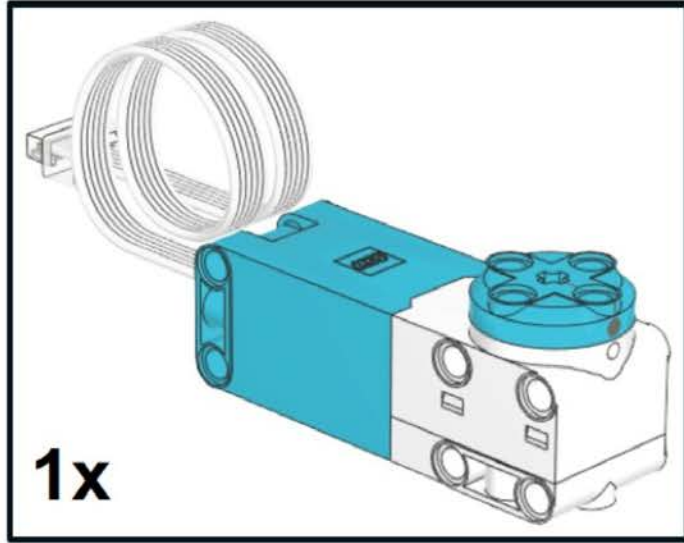
You Need:
1 x SPIKE Prime
Education Set
45678



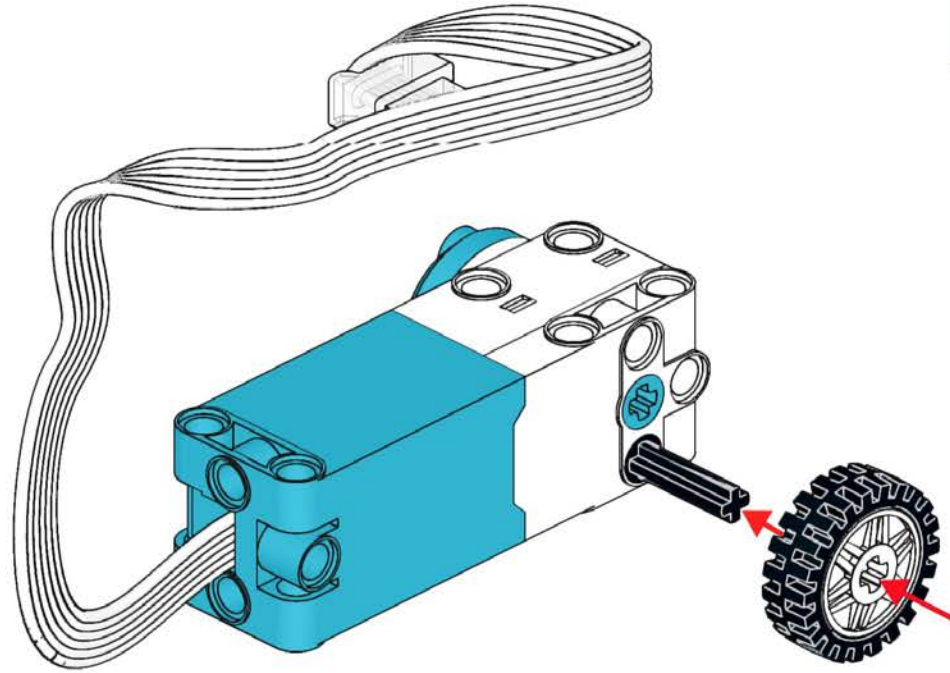
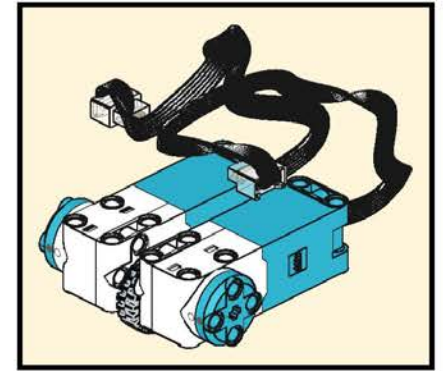
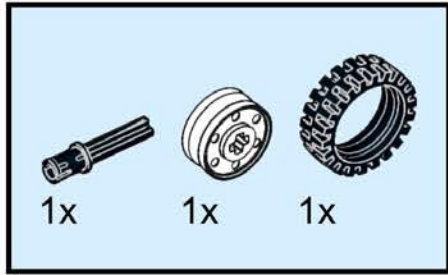
1



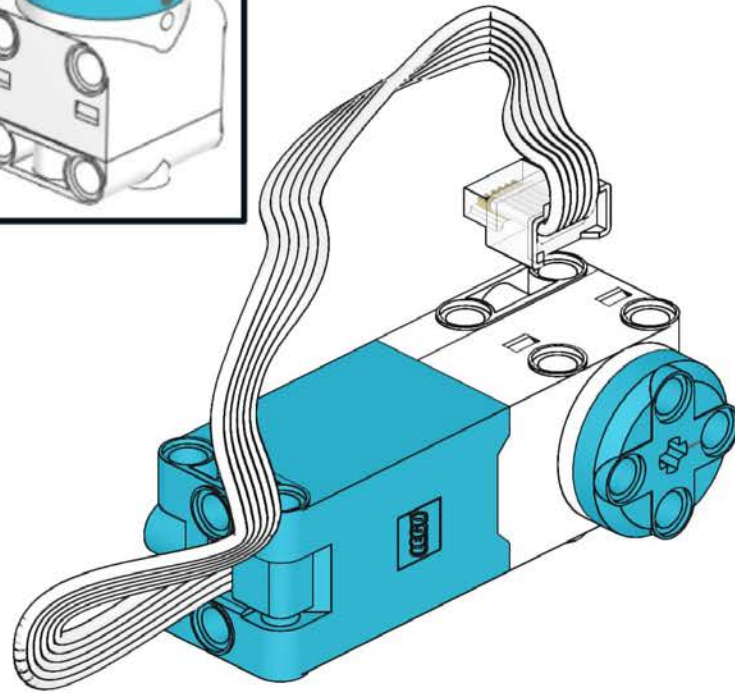
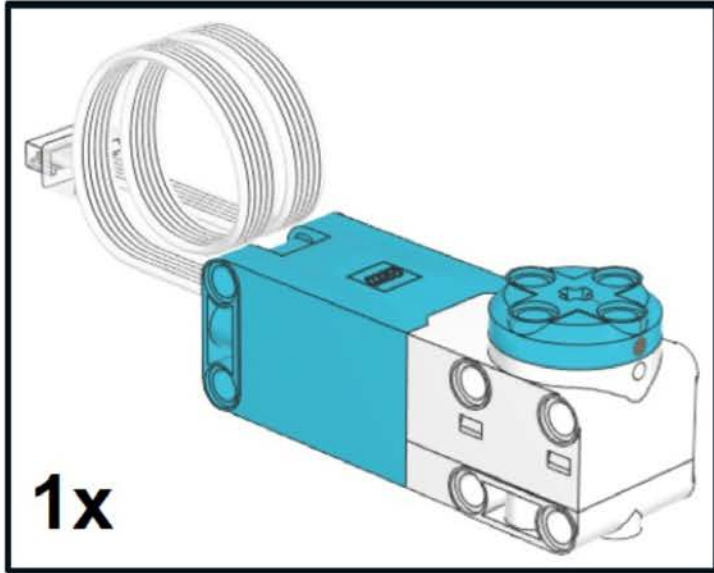
2



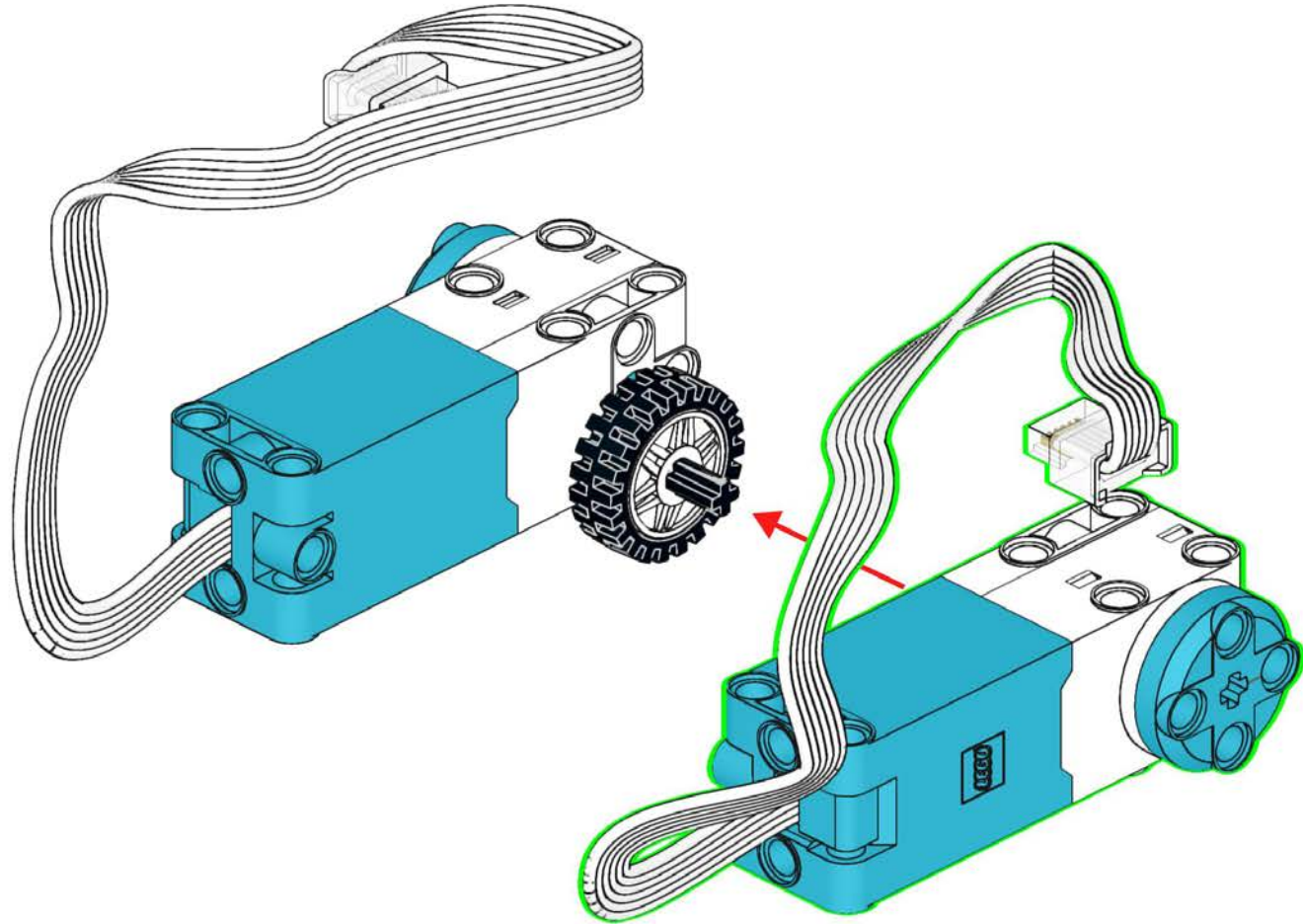
3



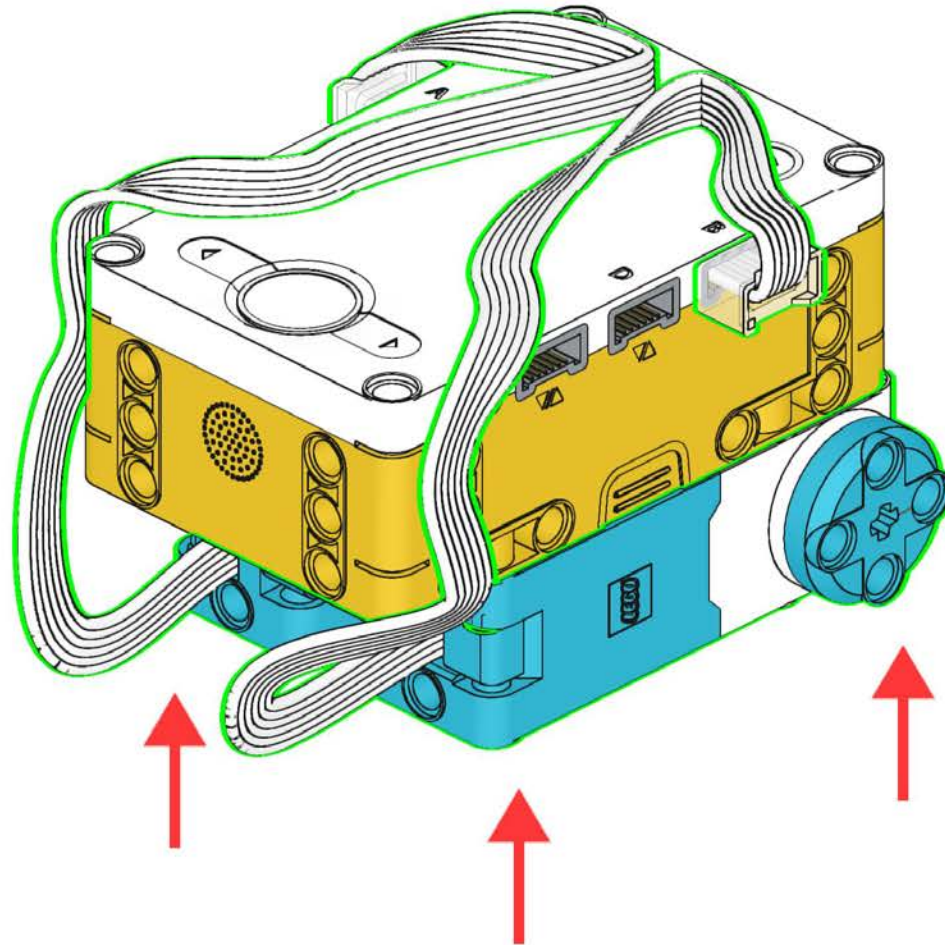
4



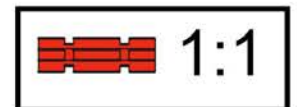
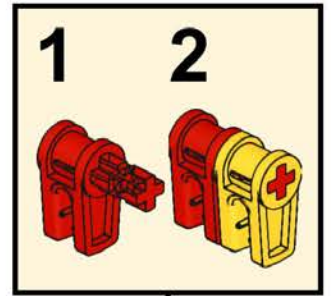
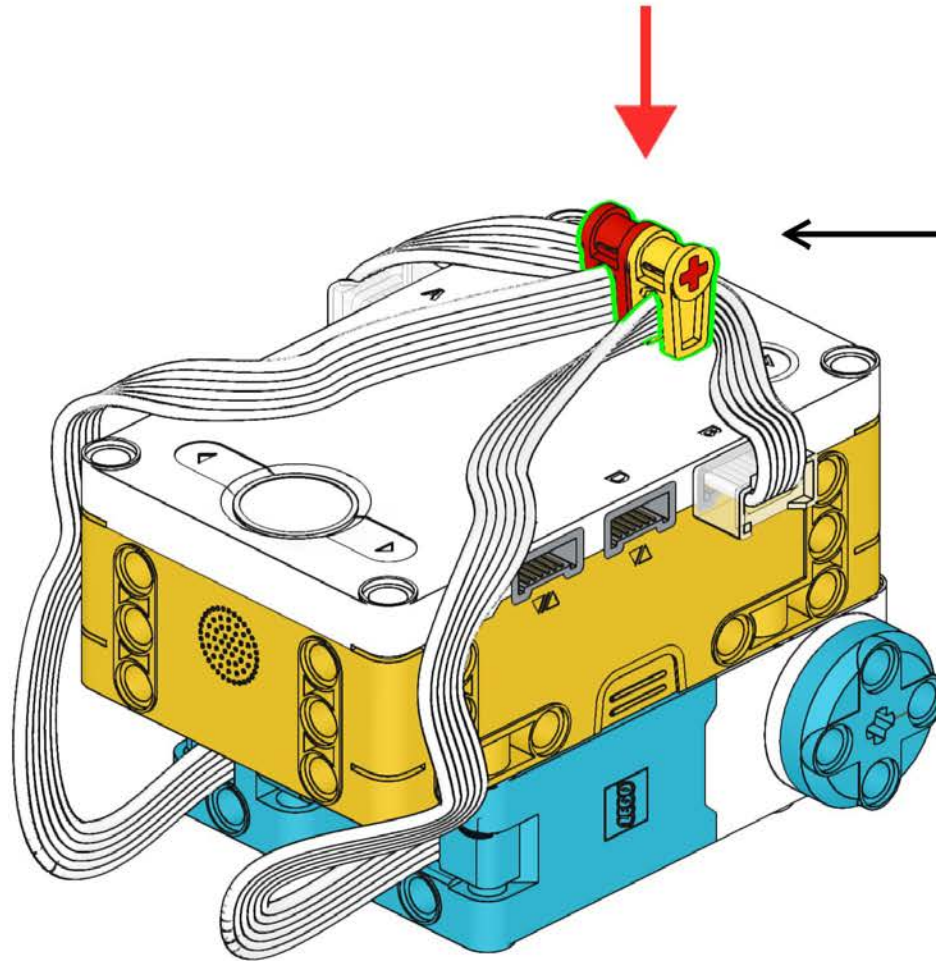
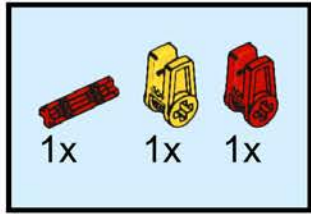
5



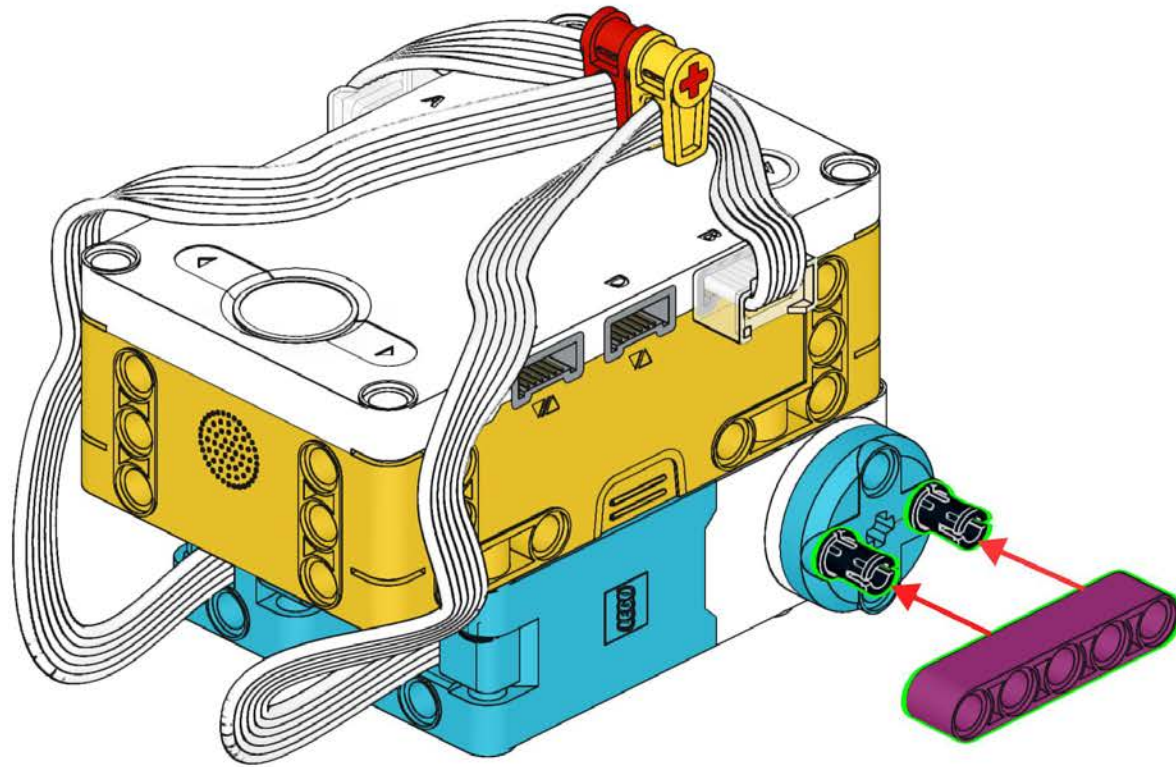
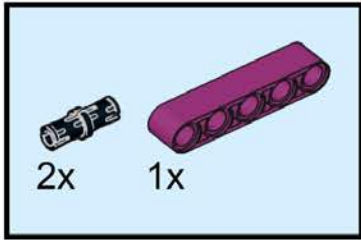
6



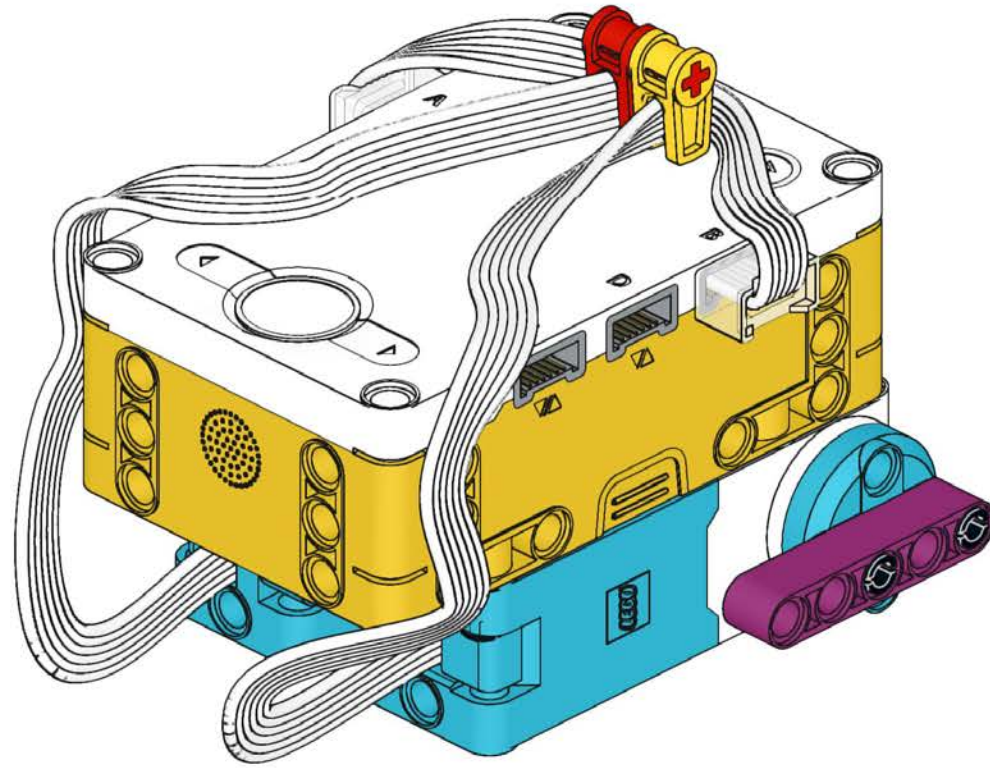
7



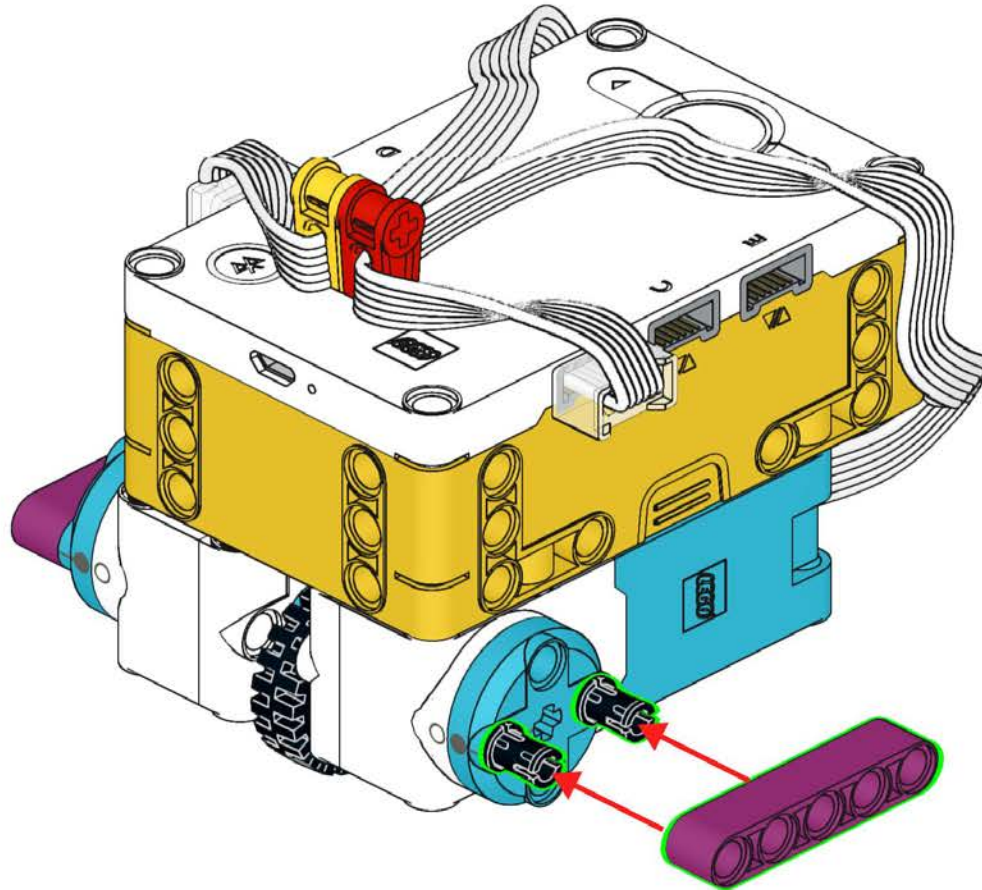
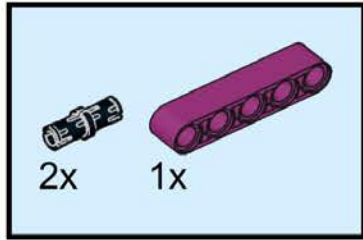
8



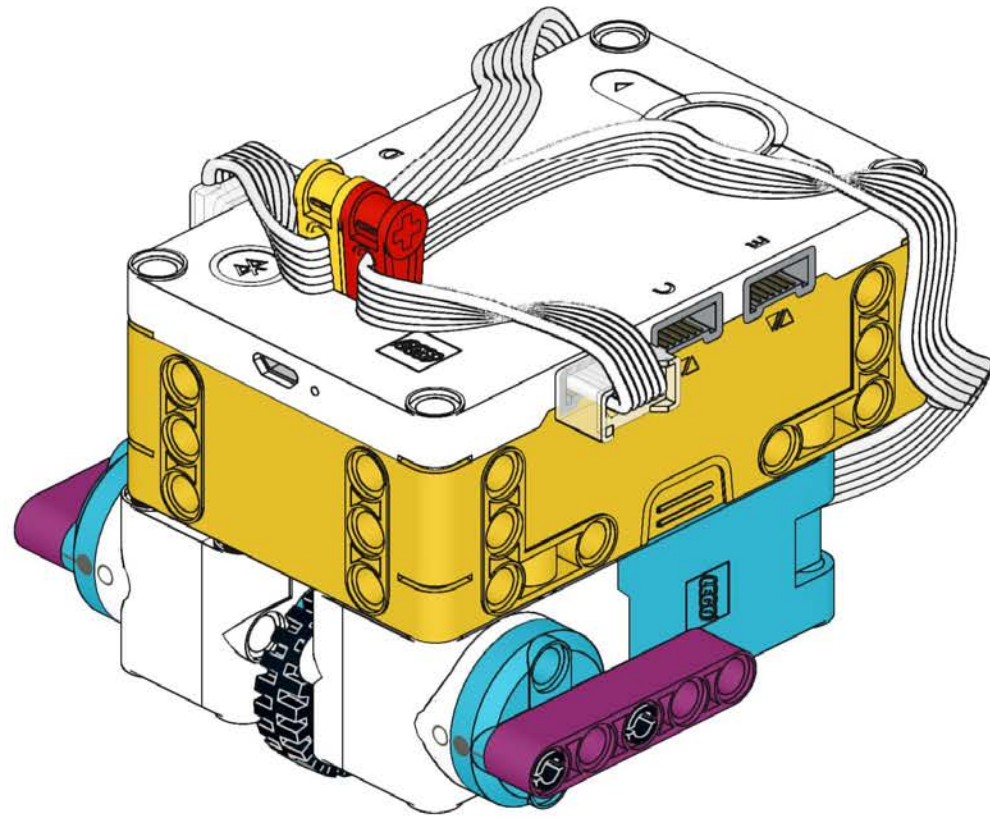
9



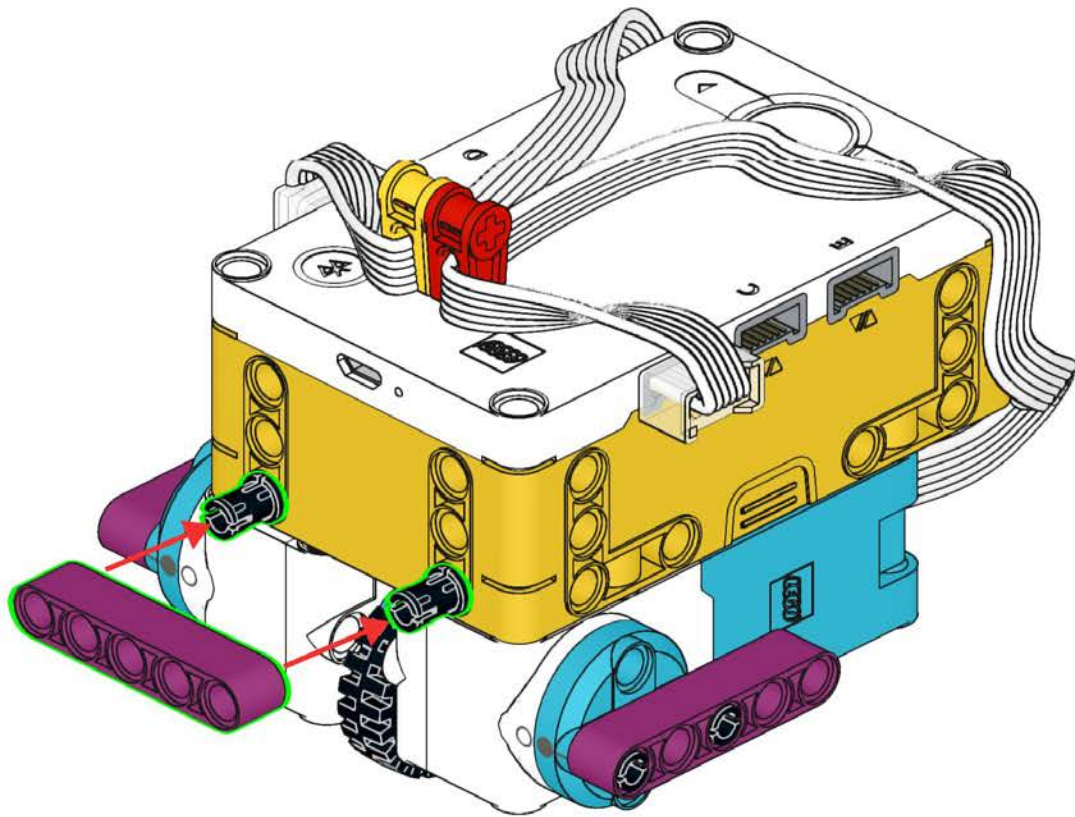
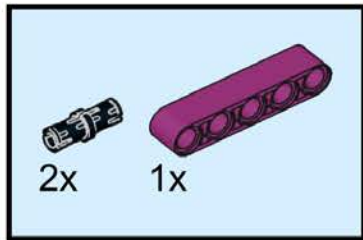
10



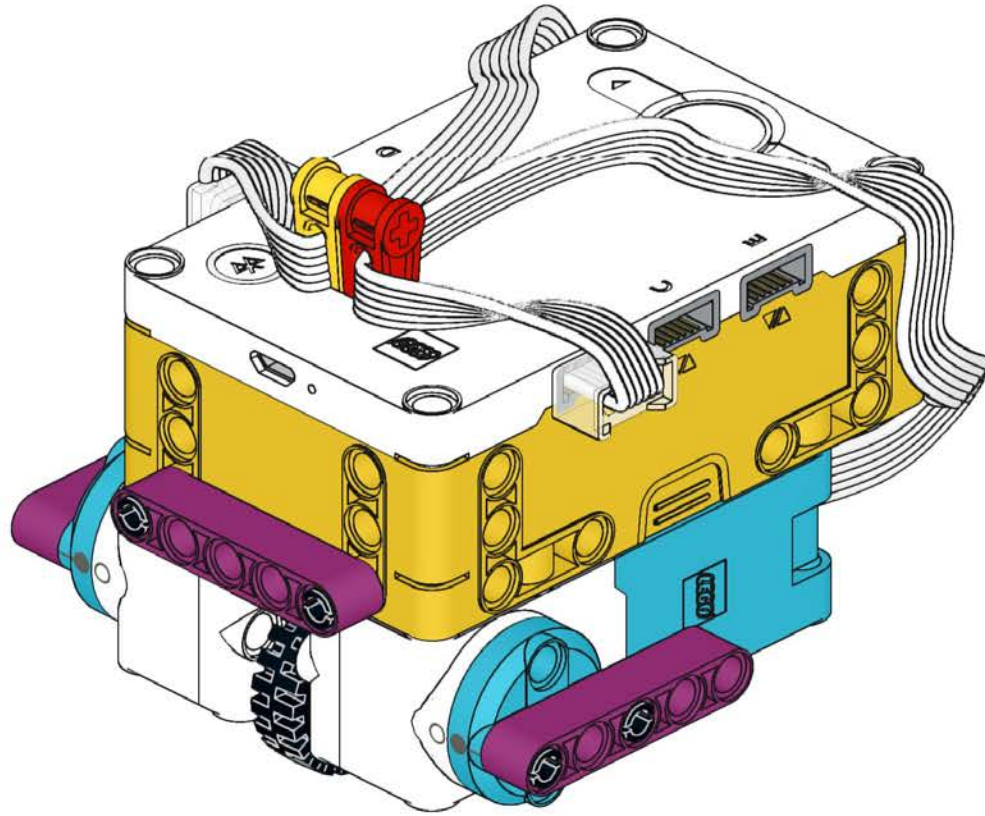
11



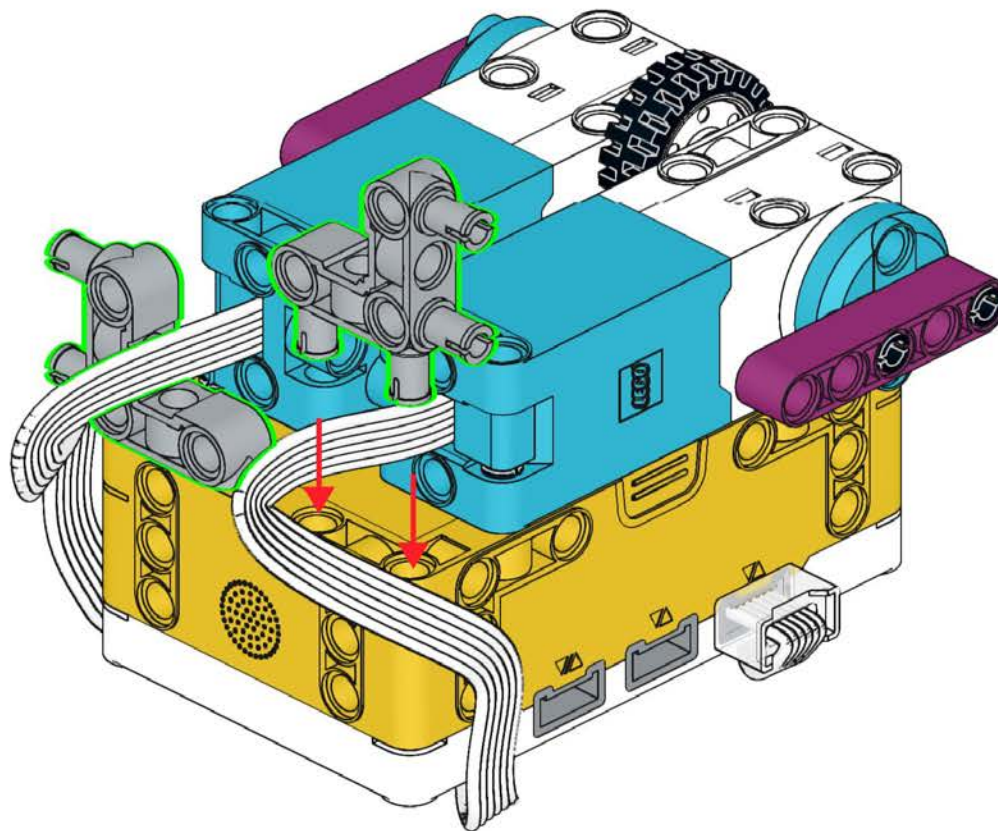
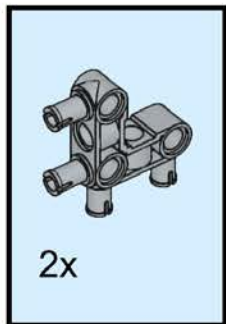
12



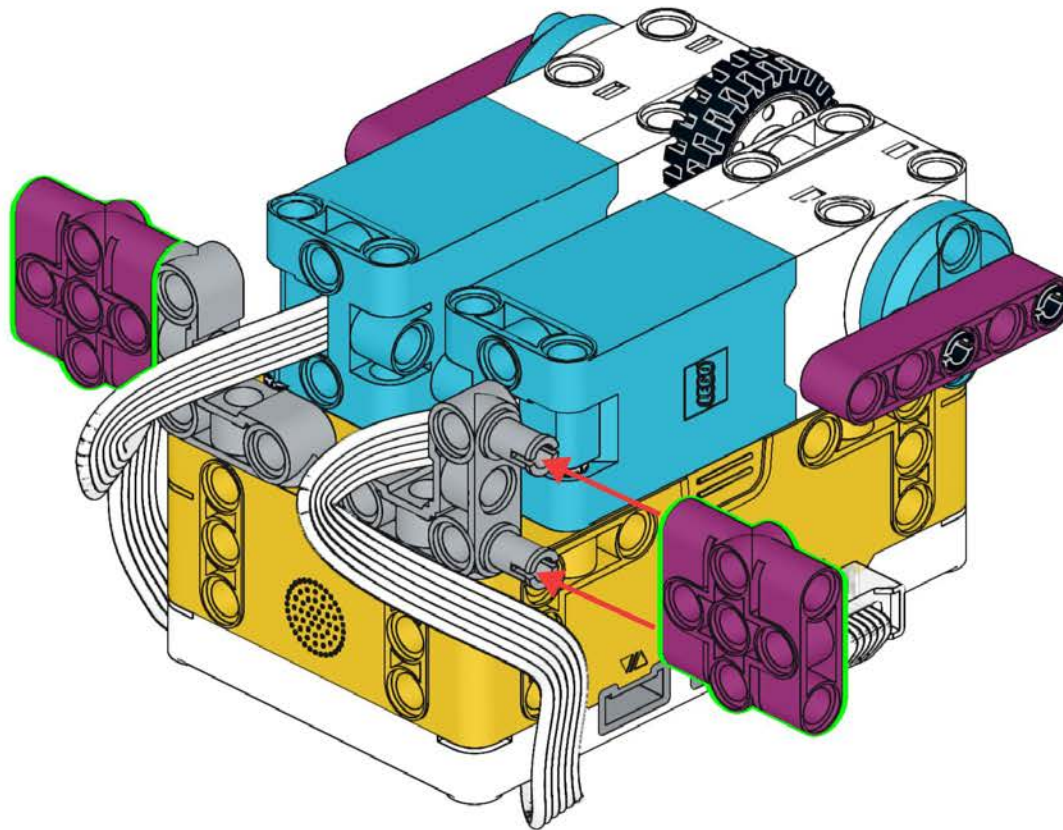
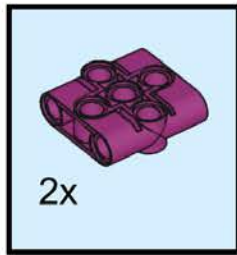
13



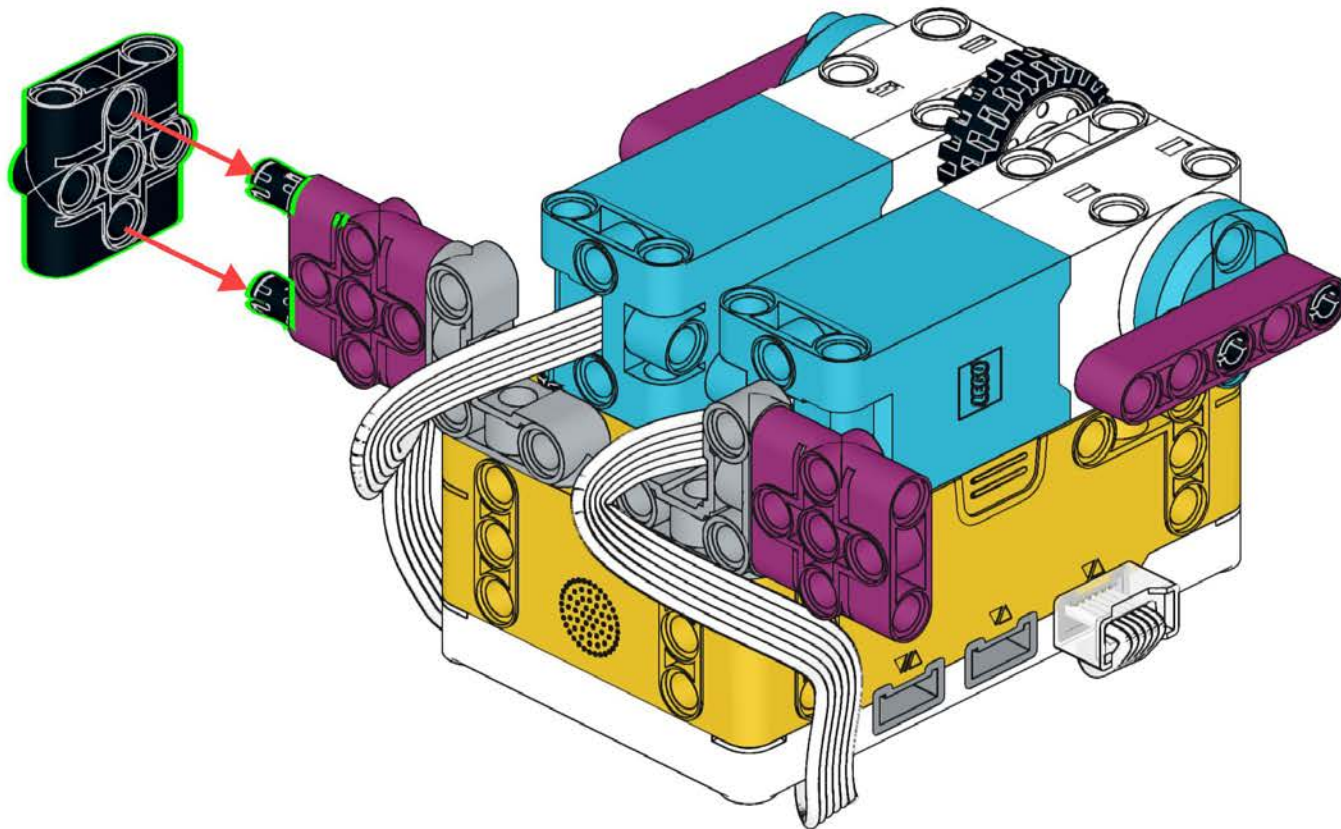
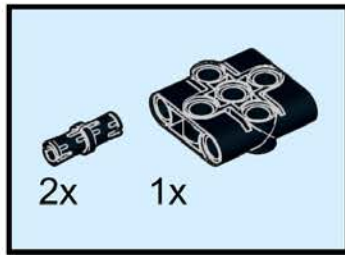
14



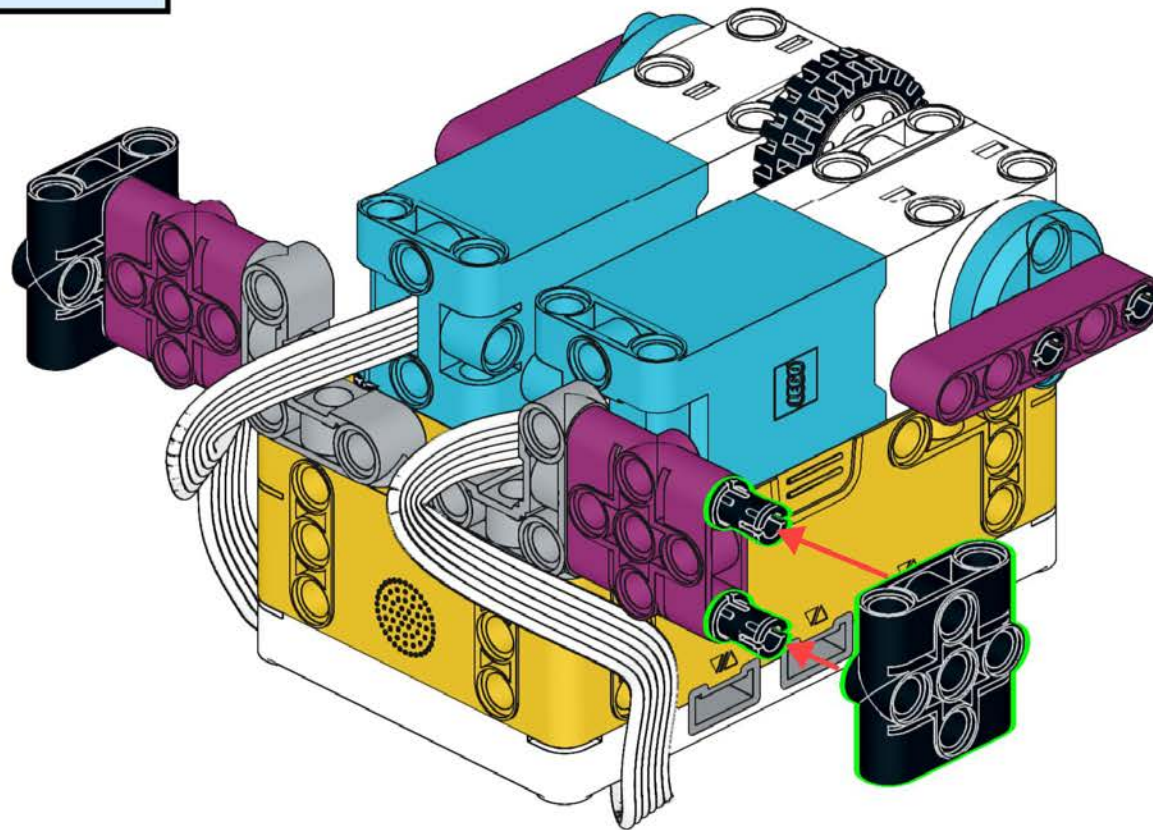
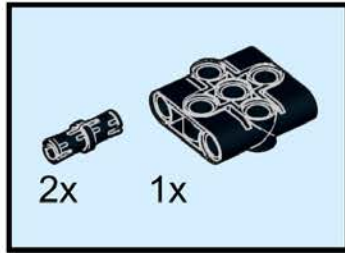
15



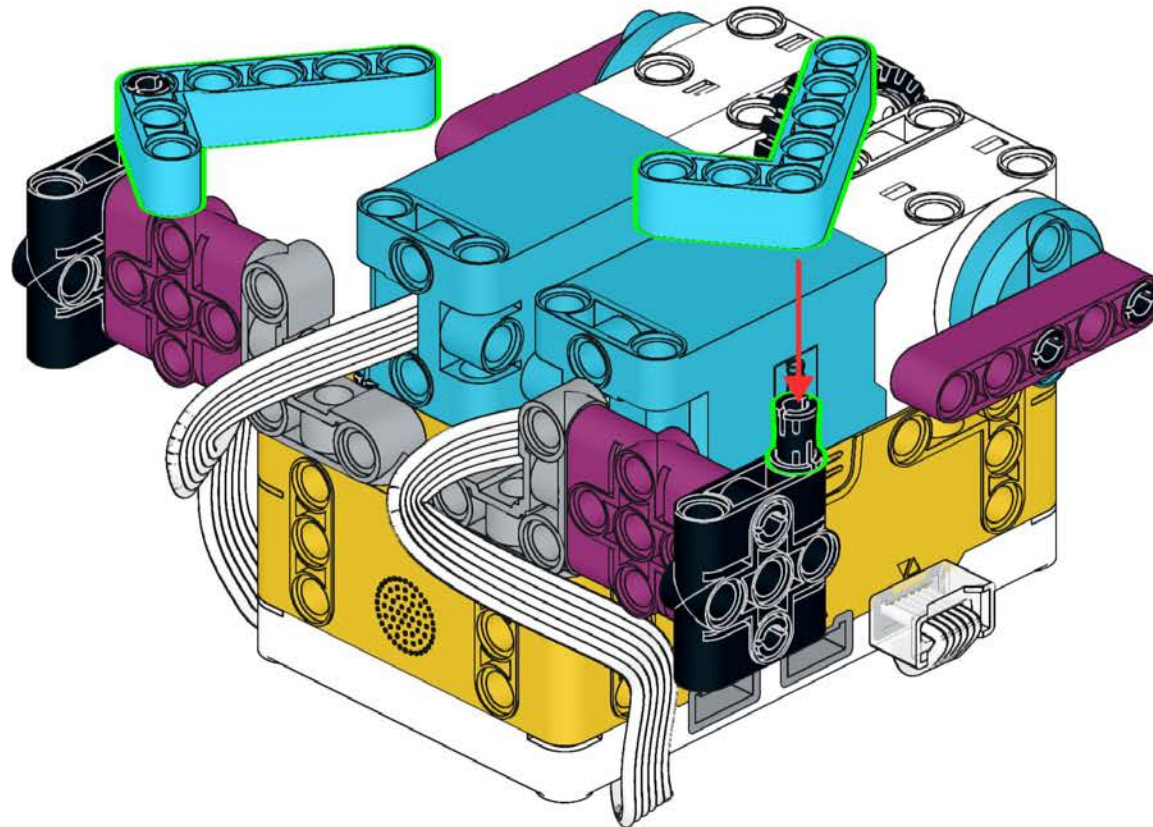
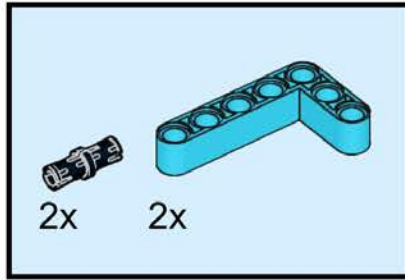
16



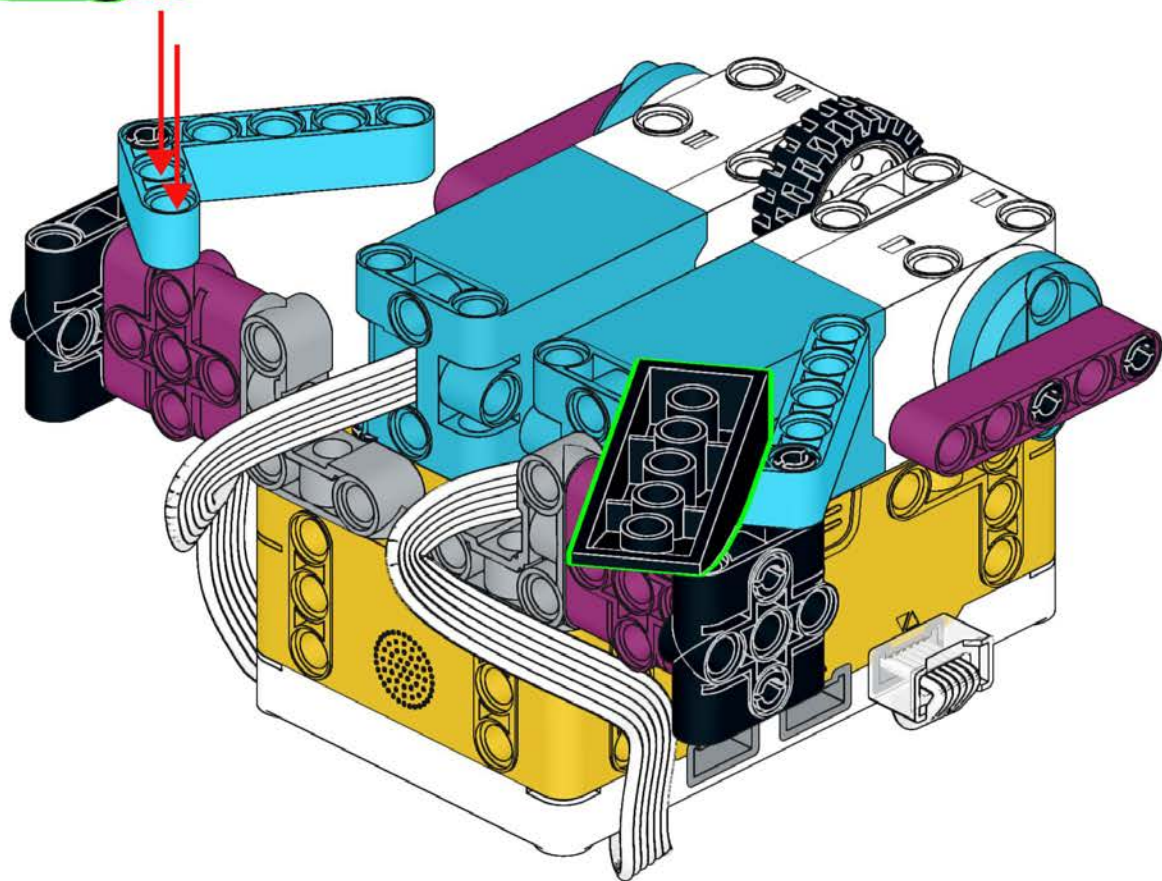
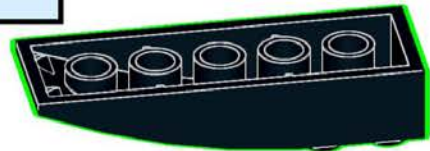
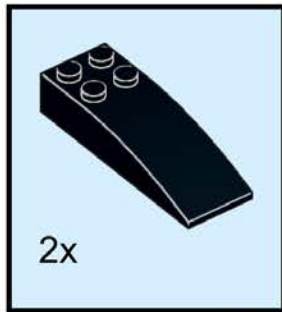
17



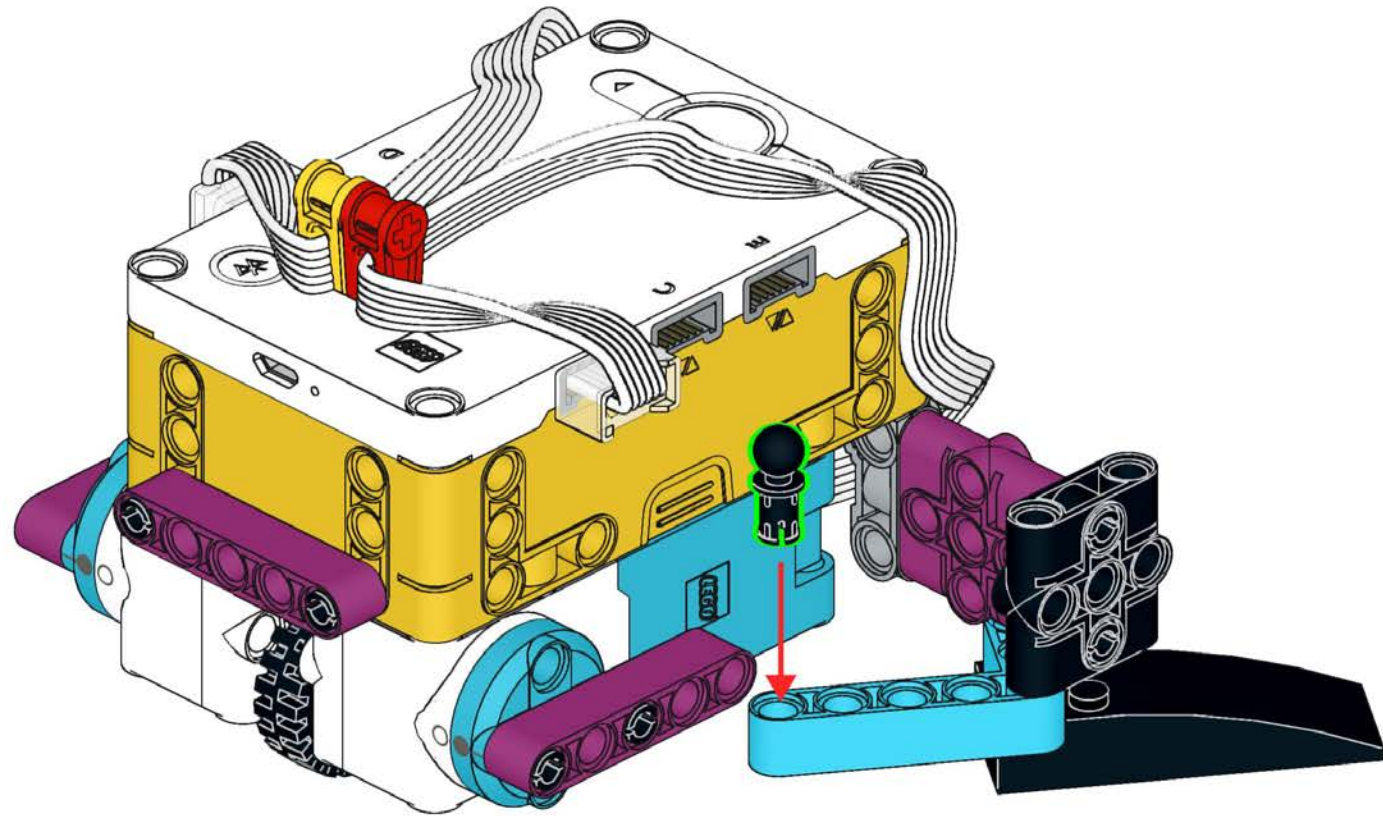
18



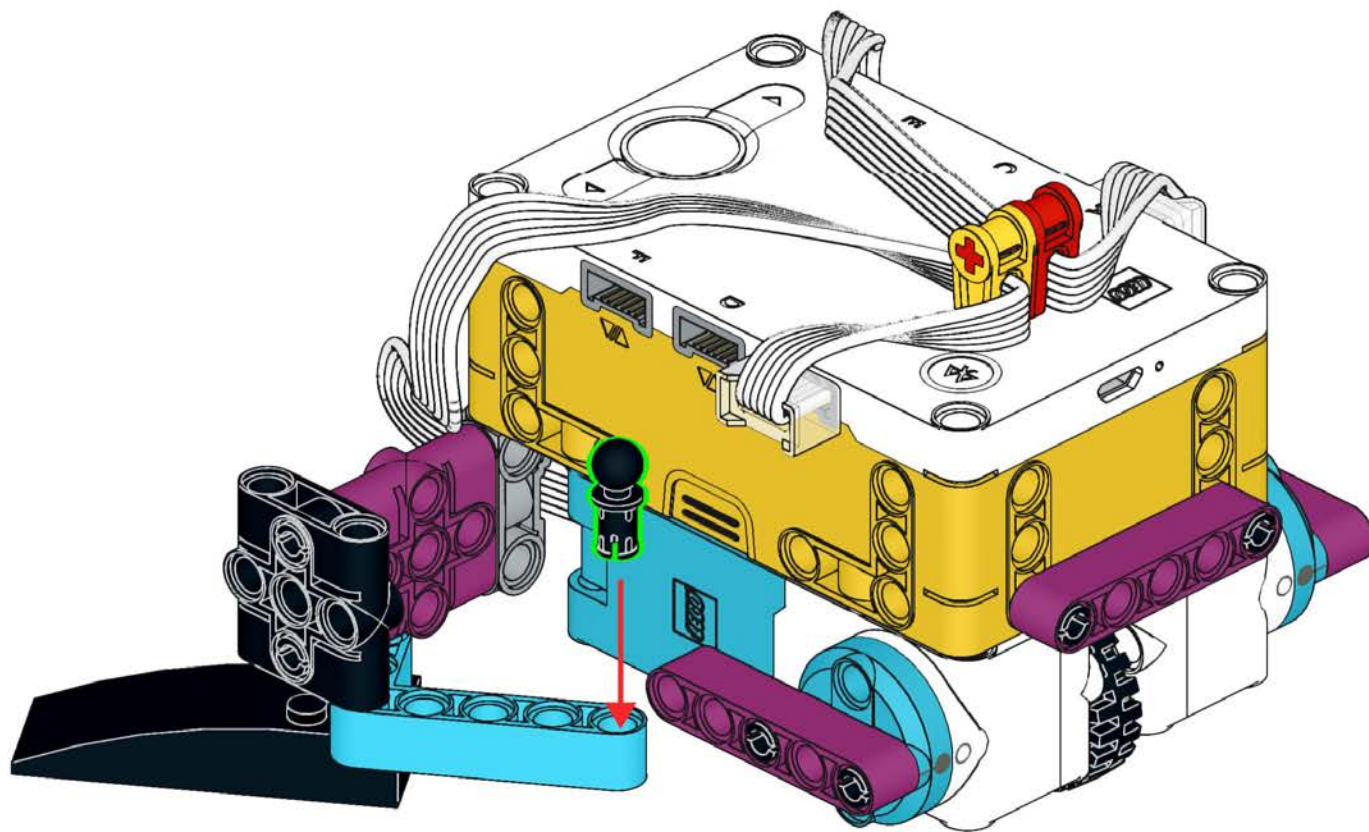
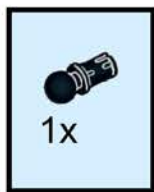
19



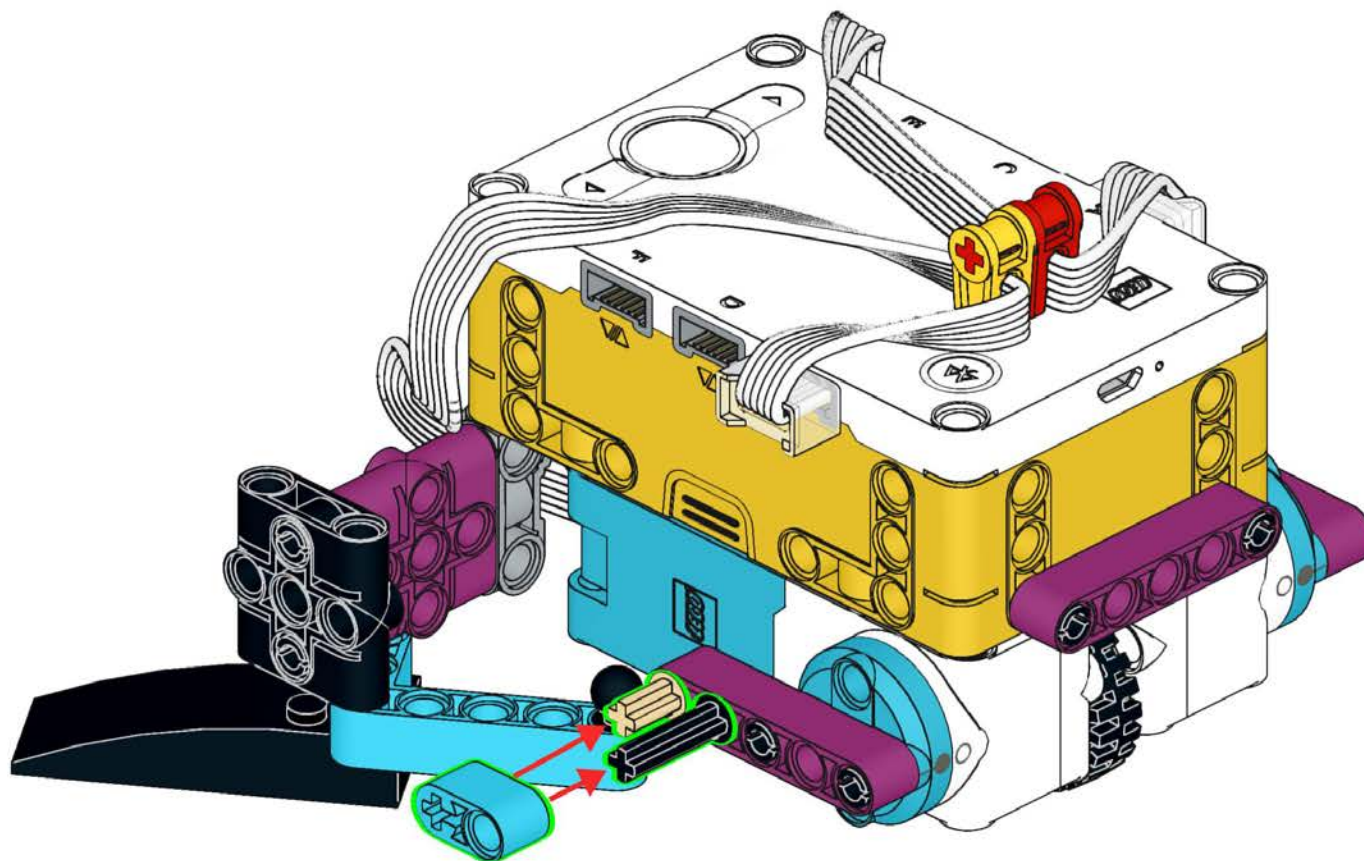
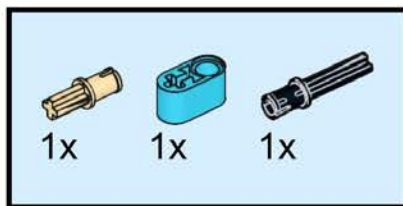
20



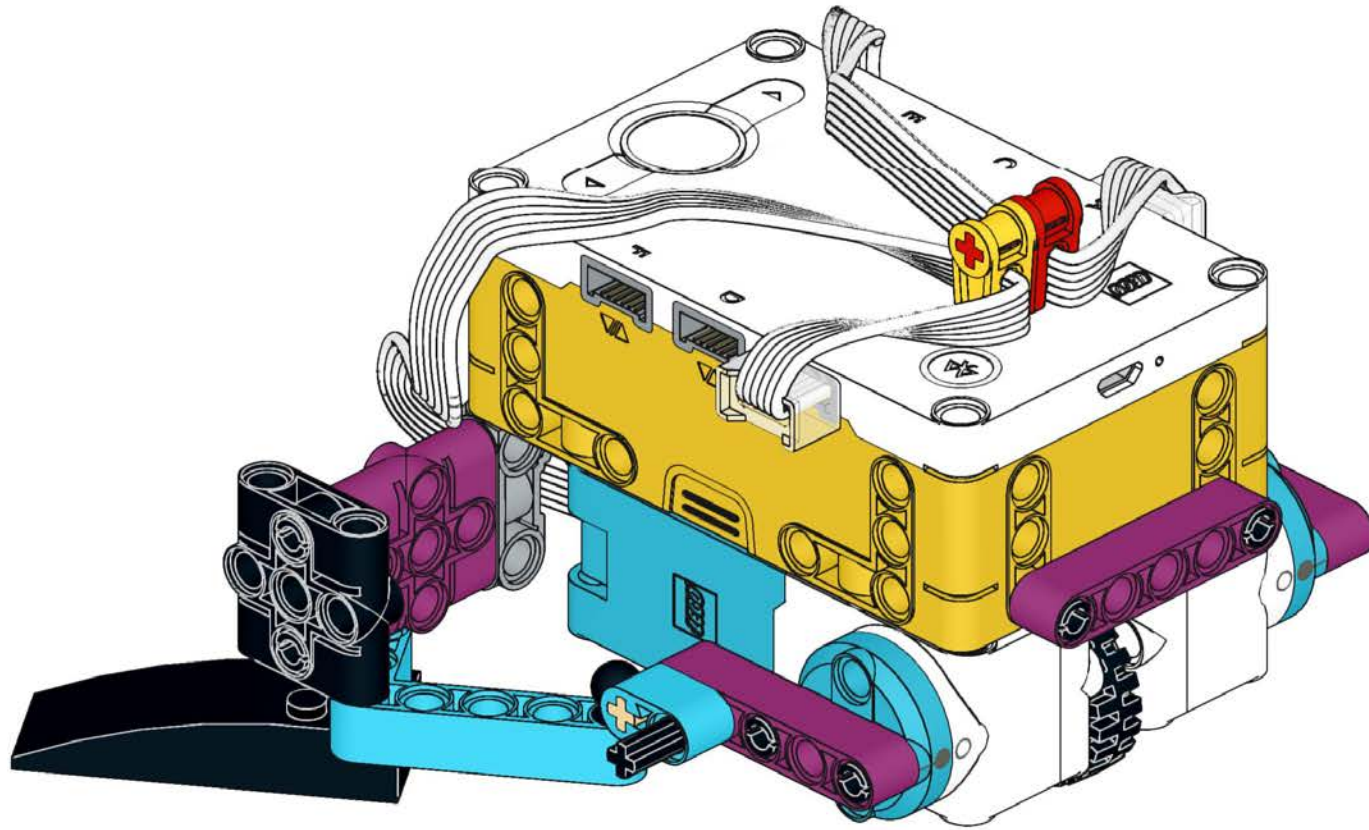
21



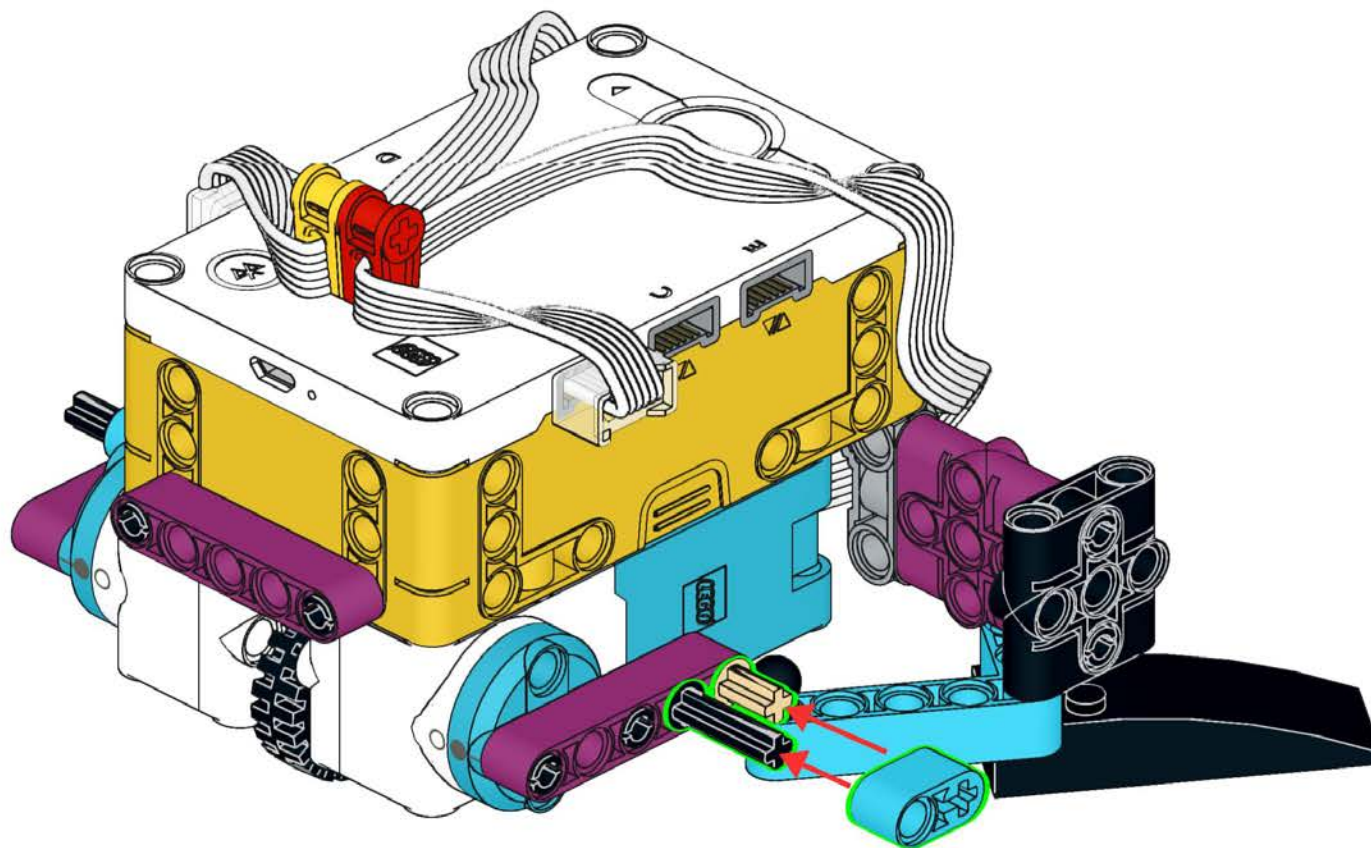
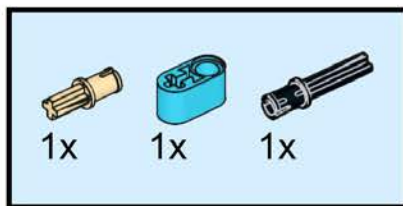
22



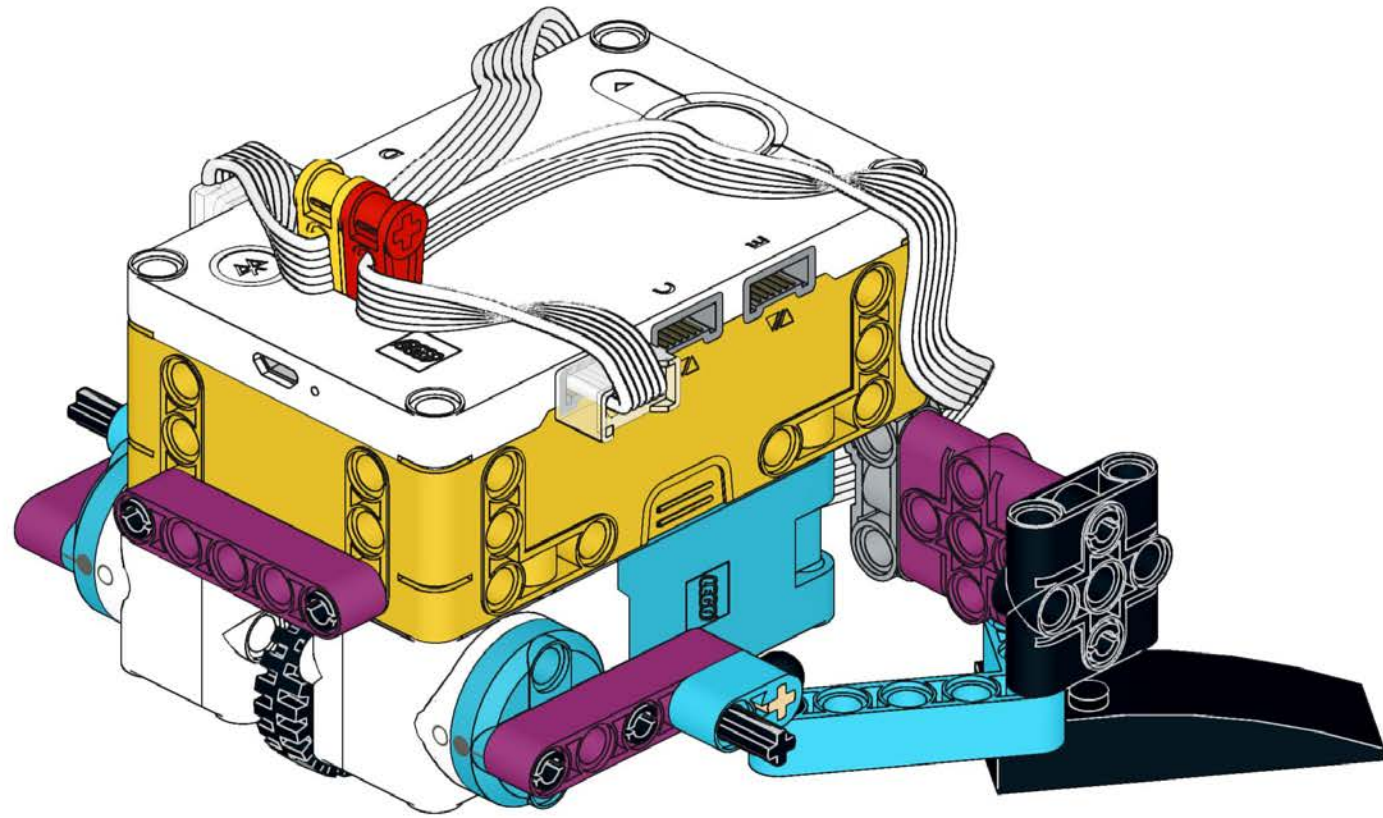
23



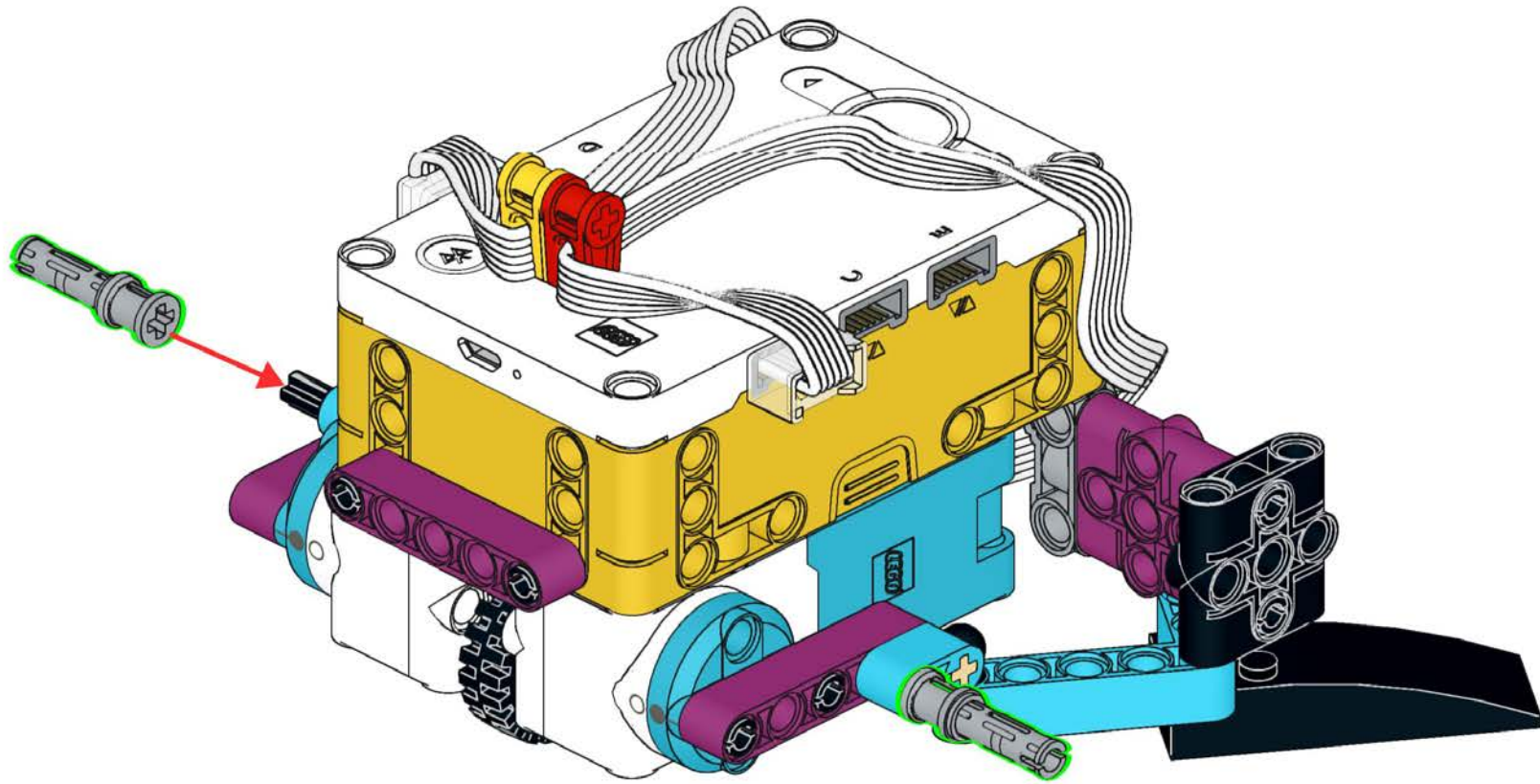
24



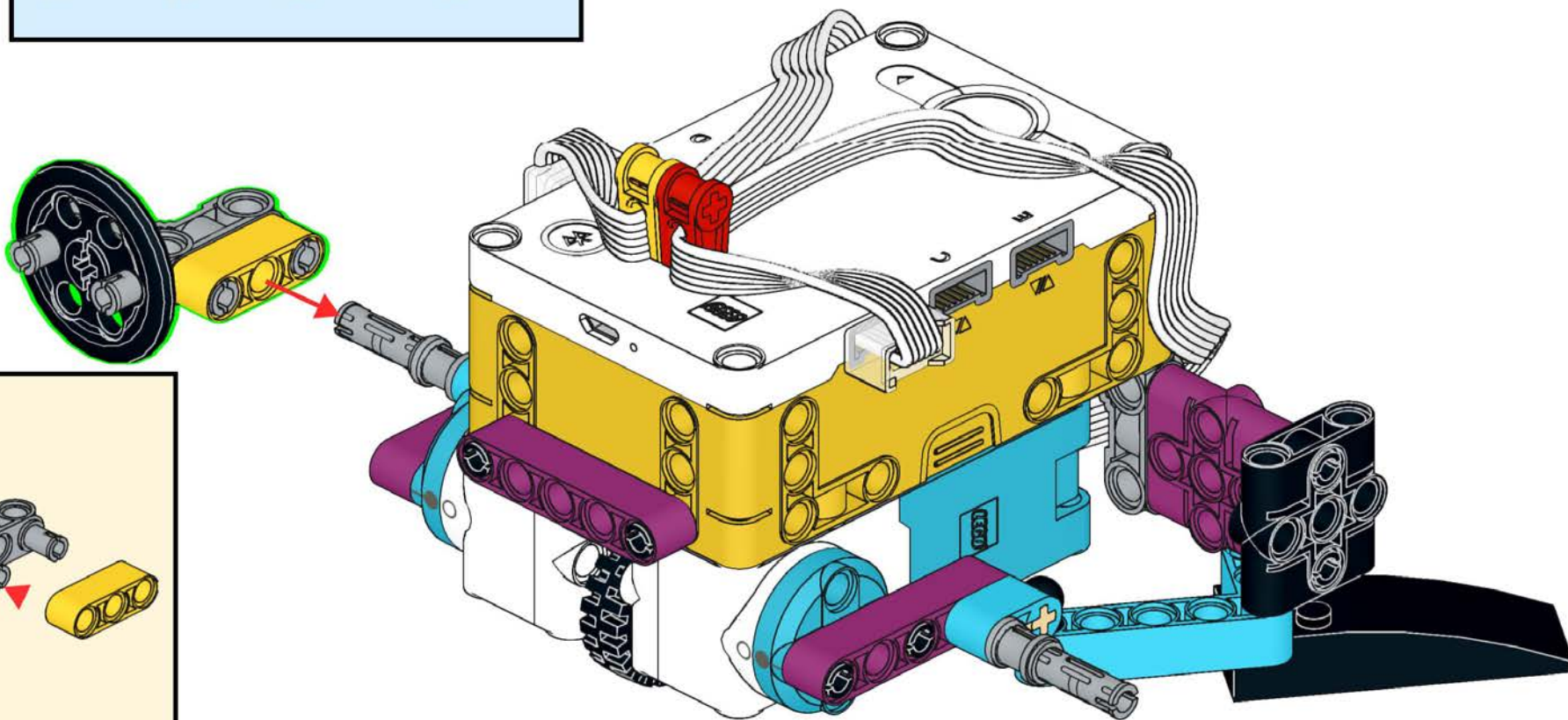
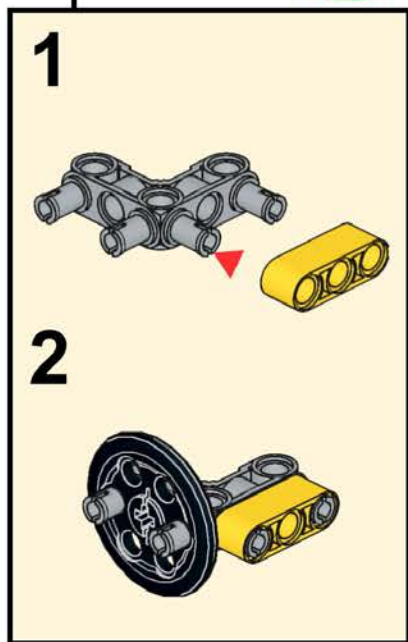
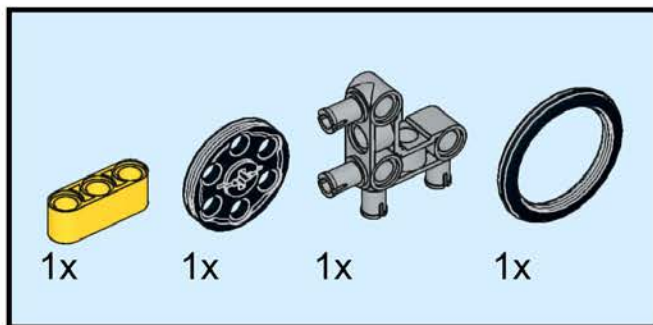
25



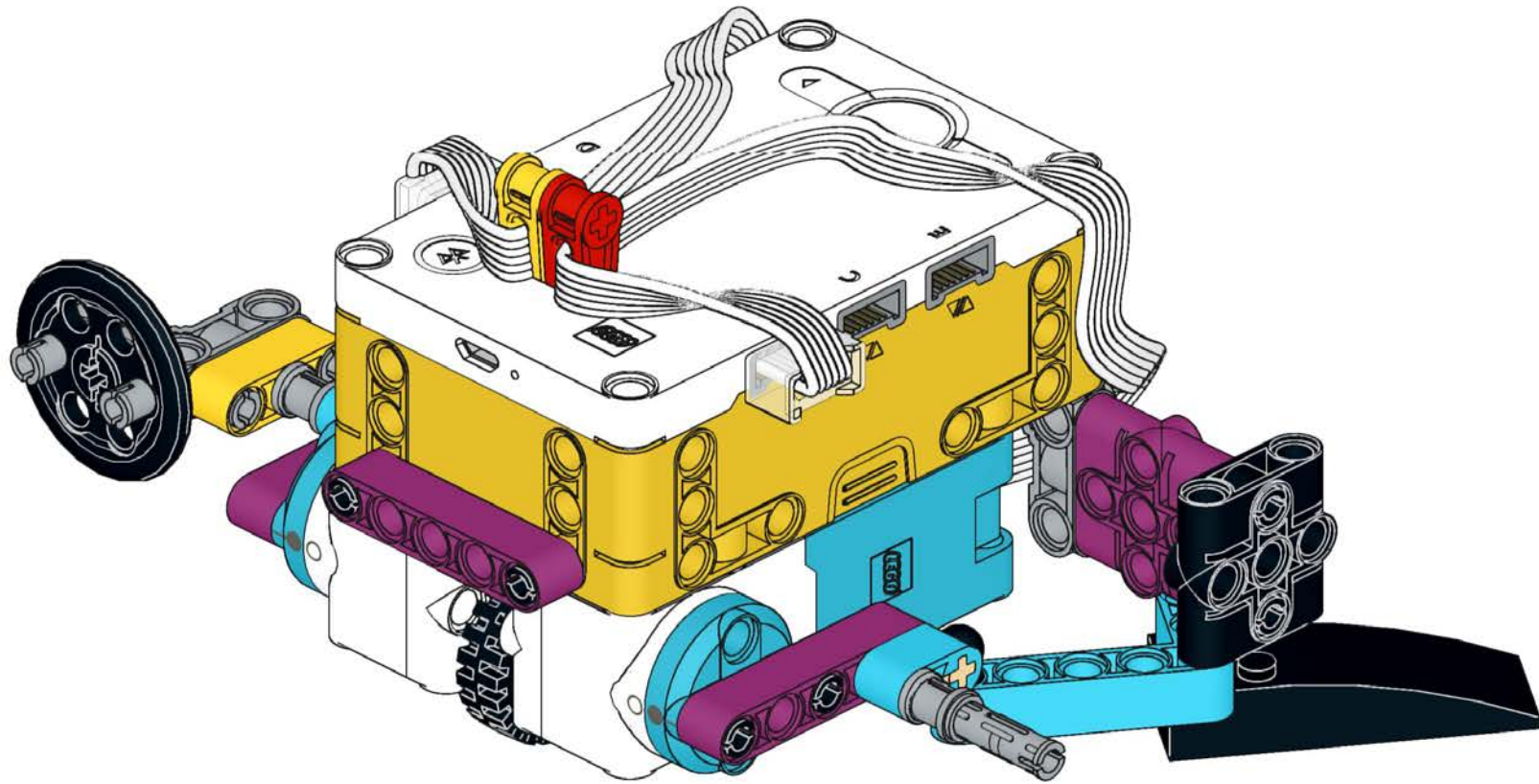
26



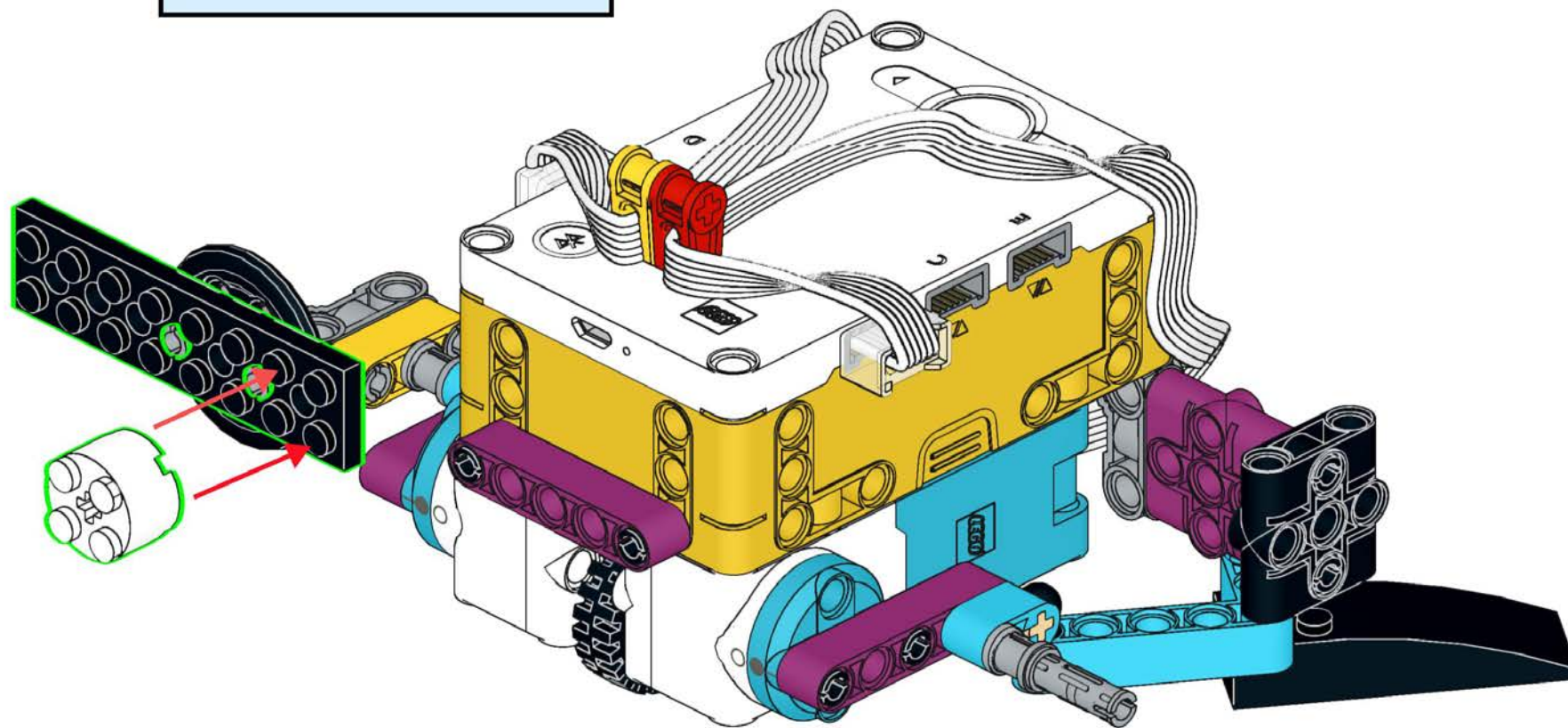
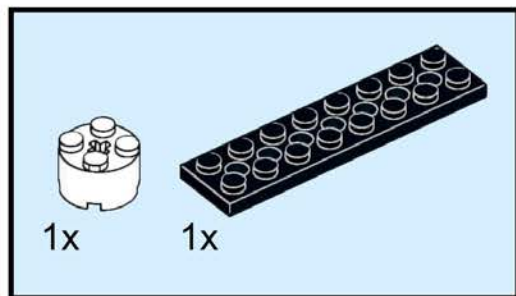
27



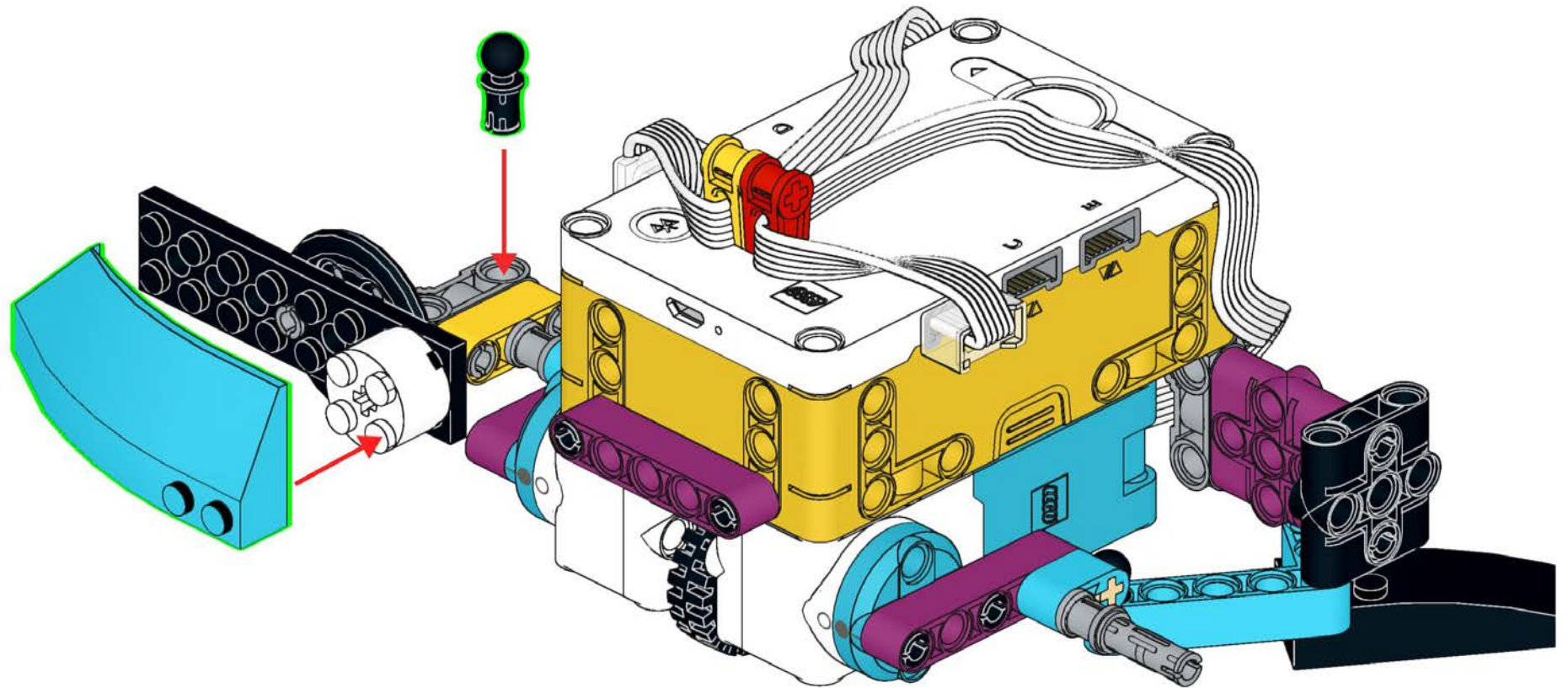
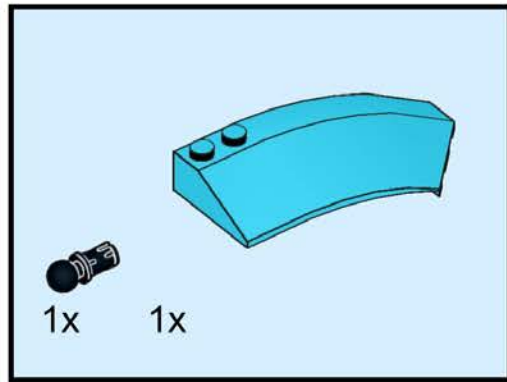
28



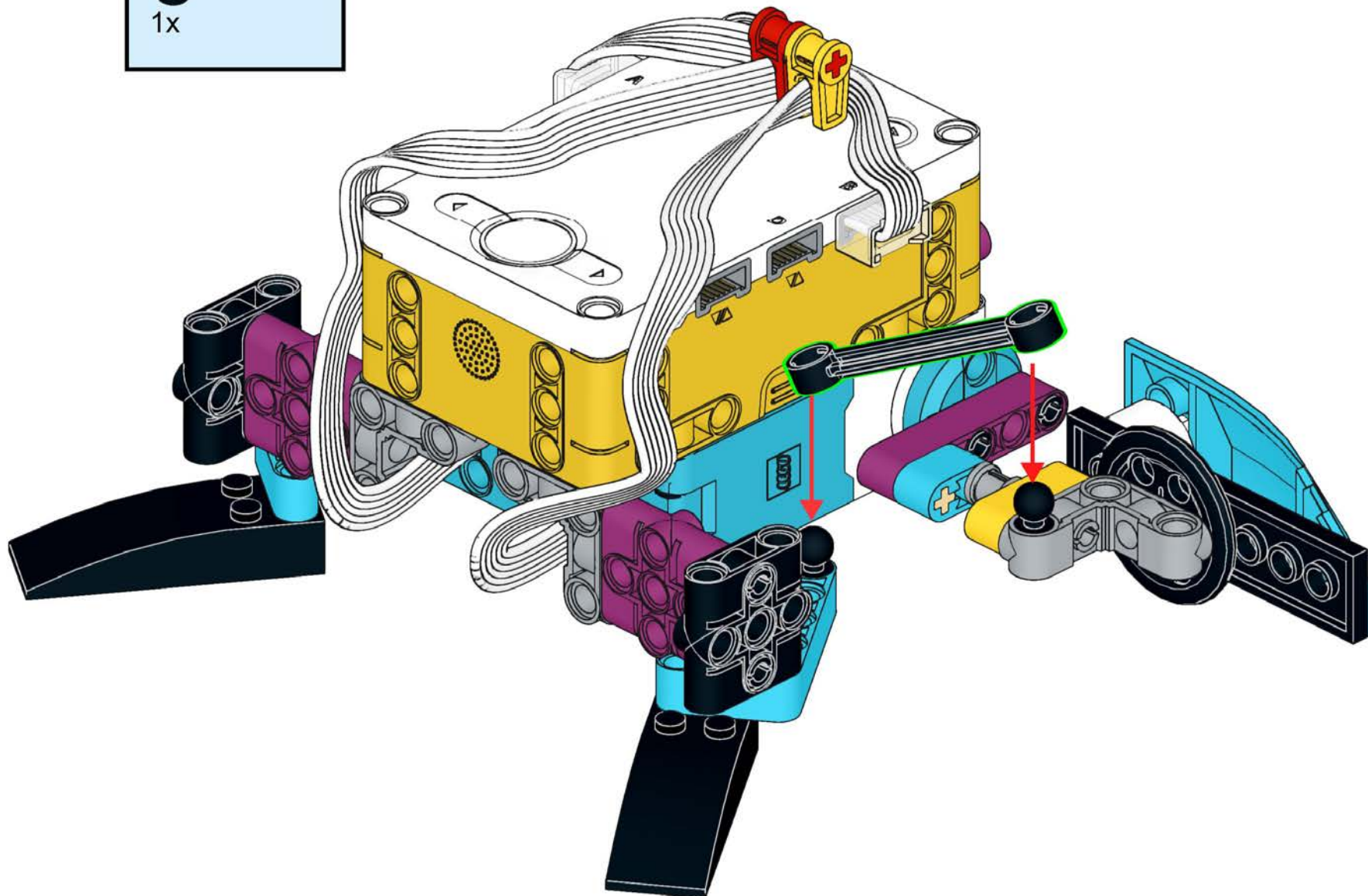
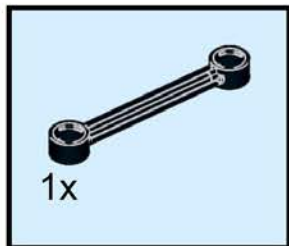
29



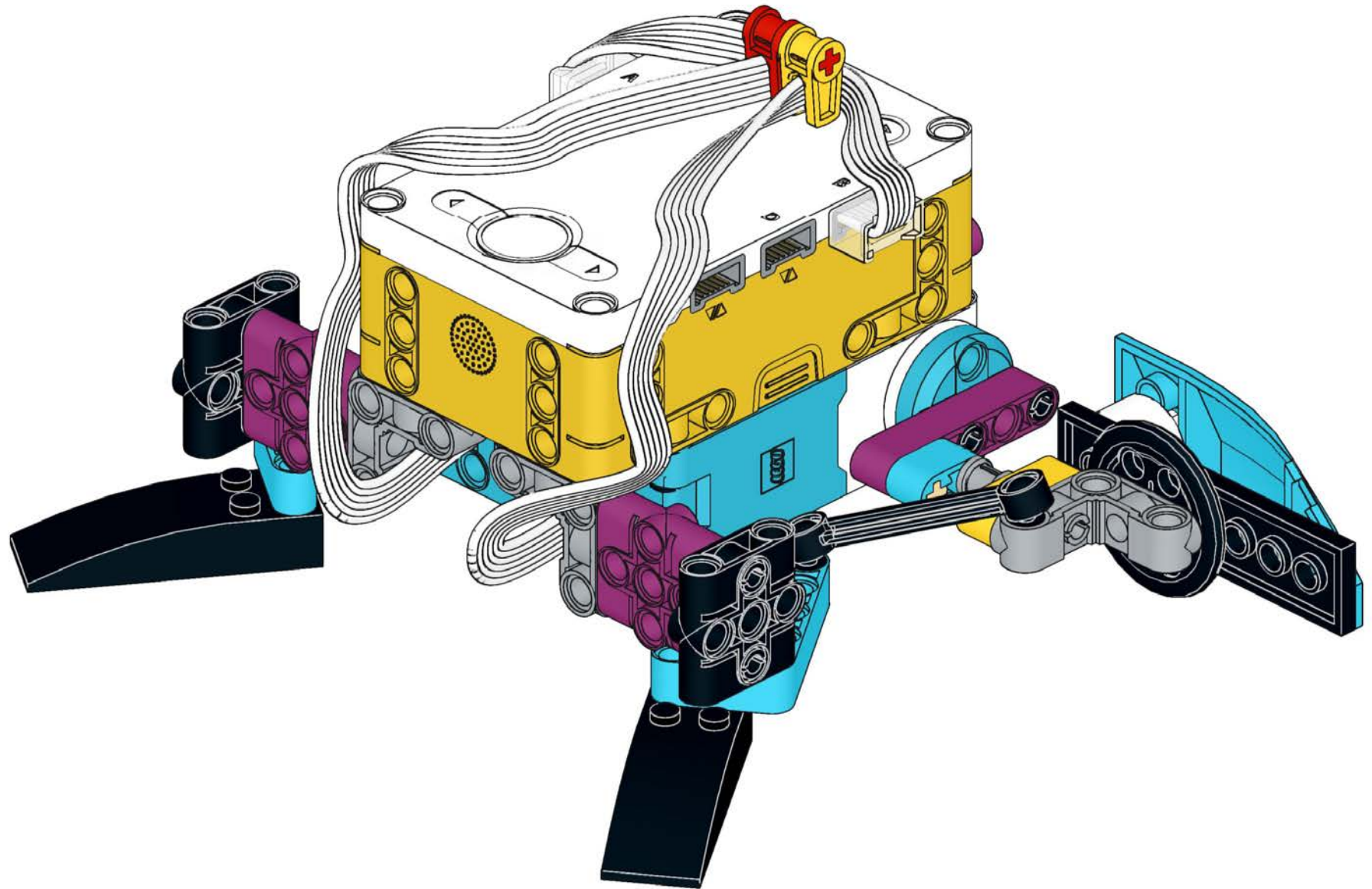
30



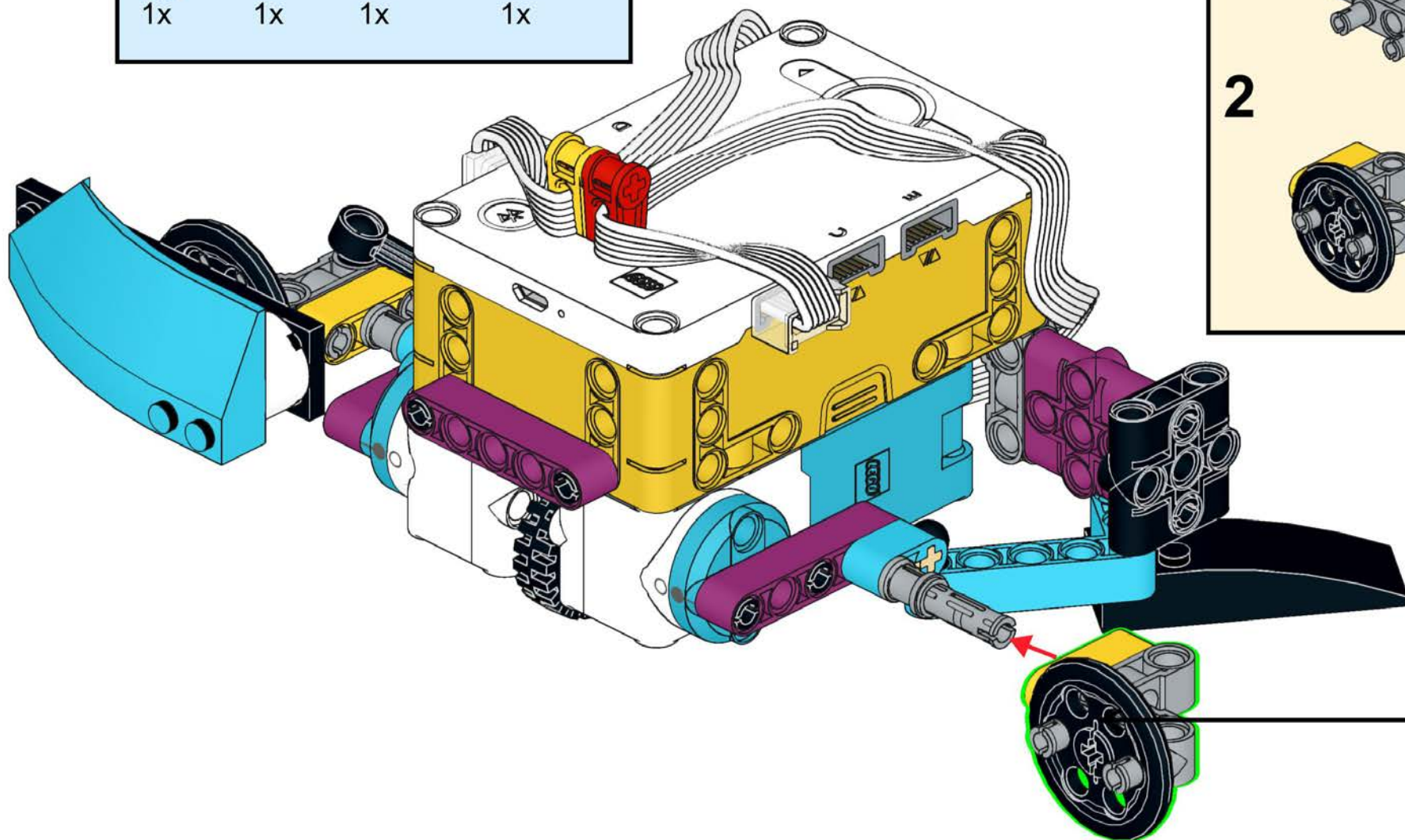
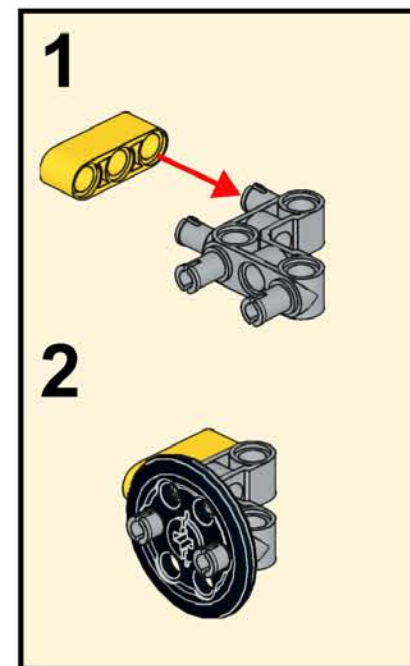
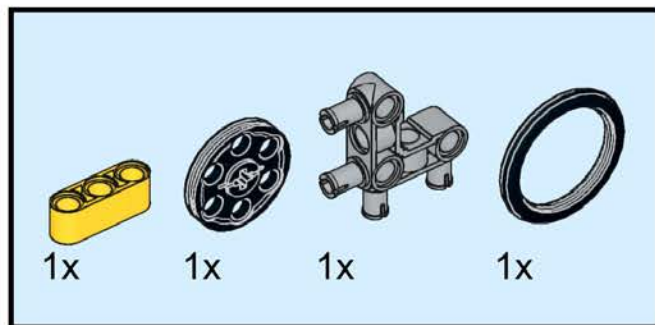
31



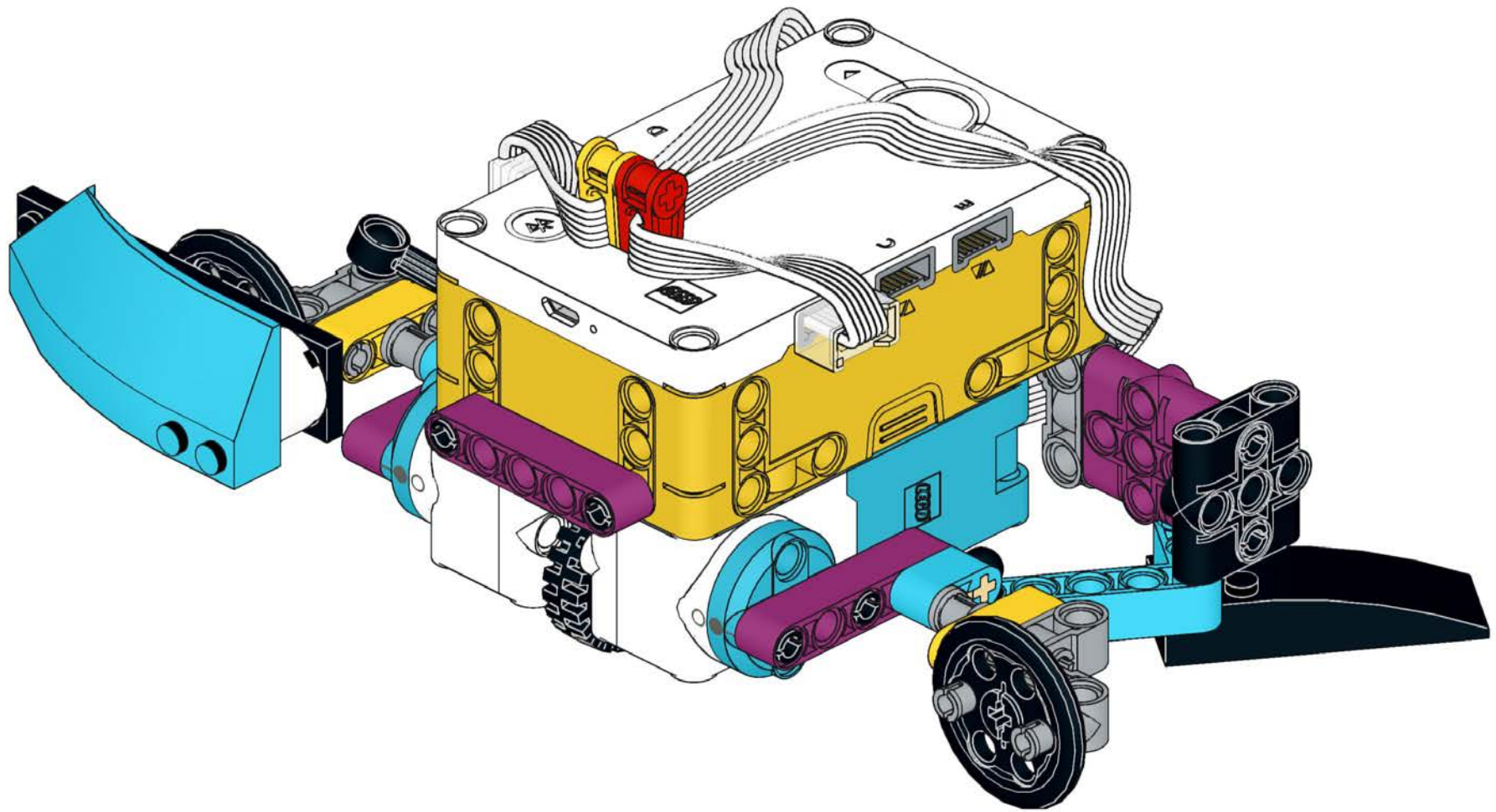
32



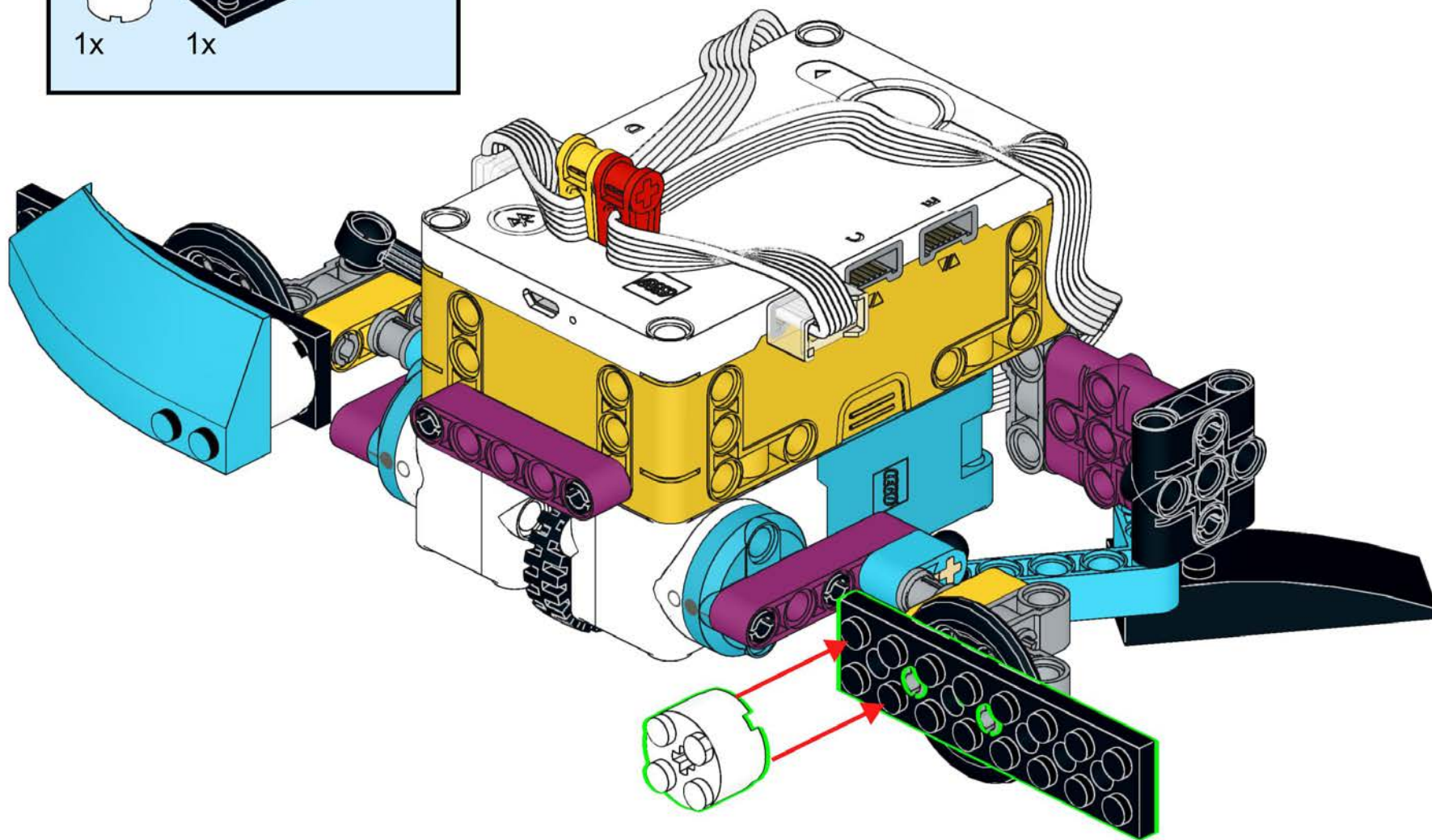
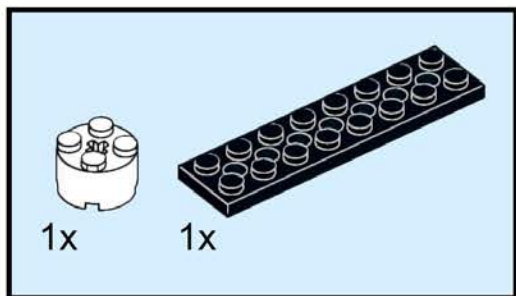
33



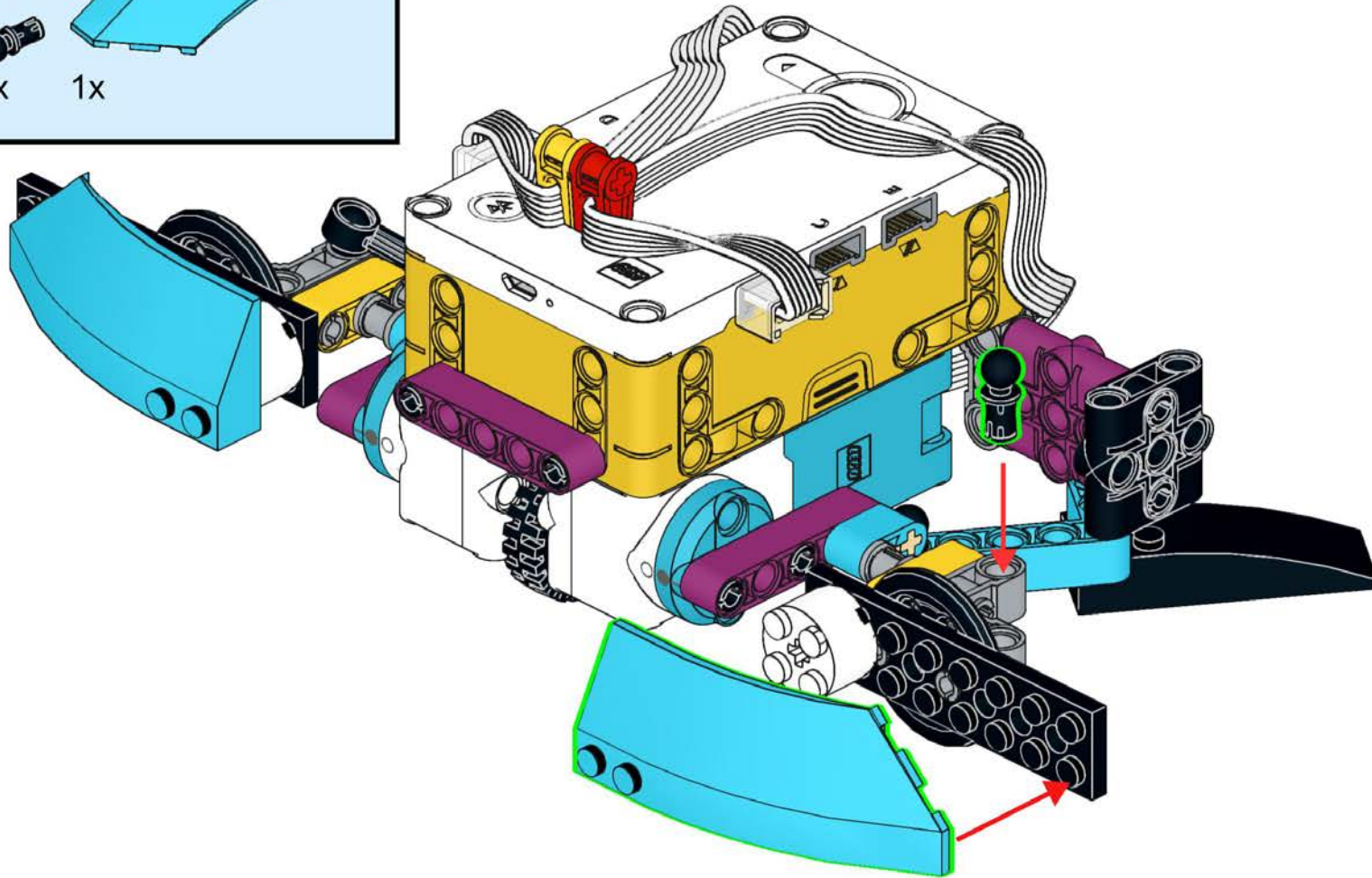
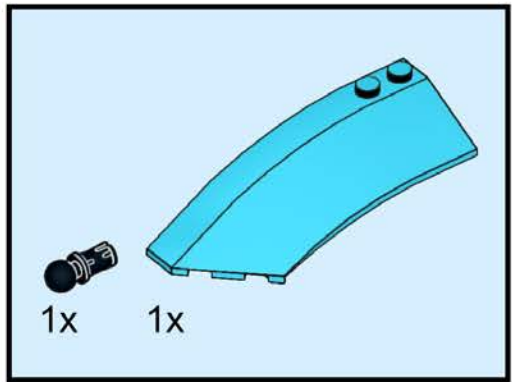
34



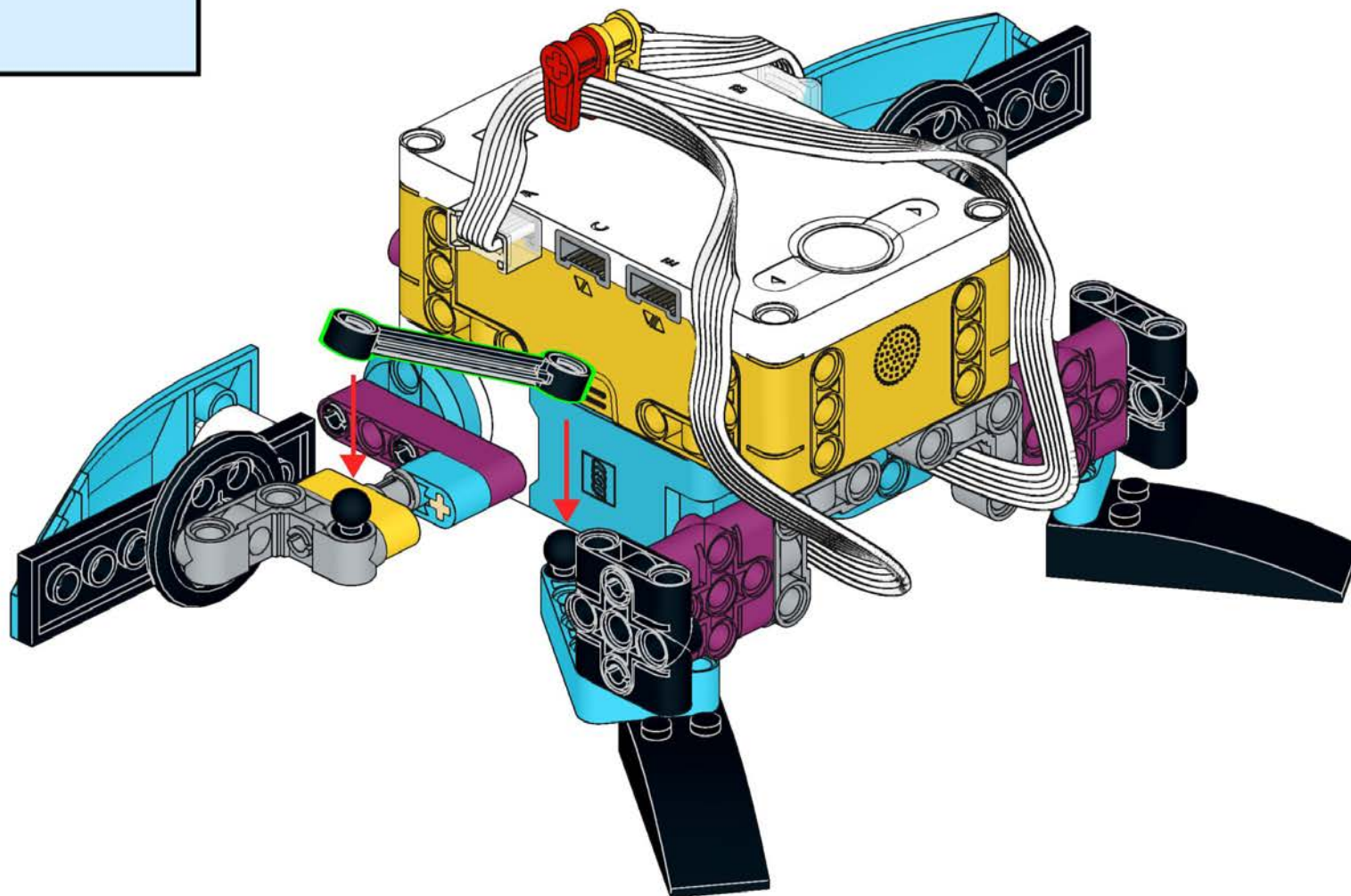
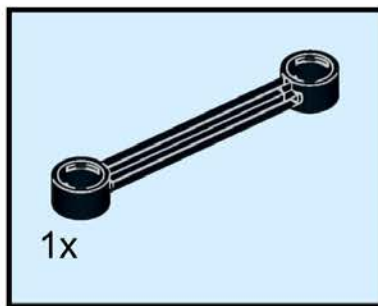
35



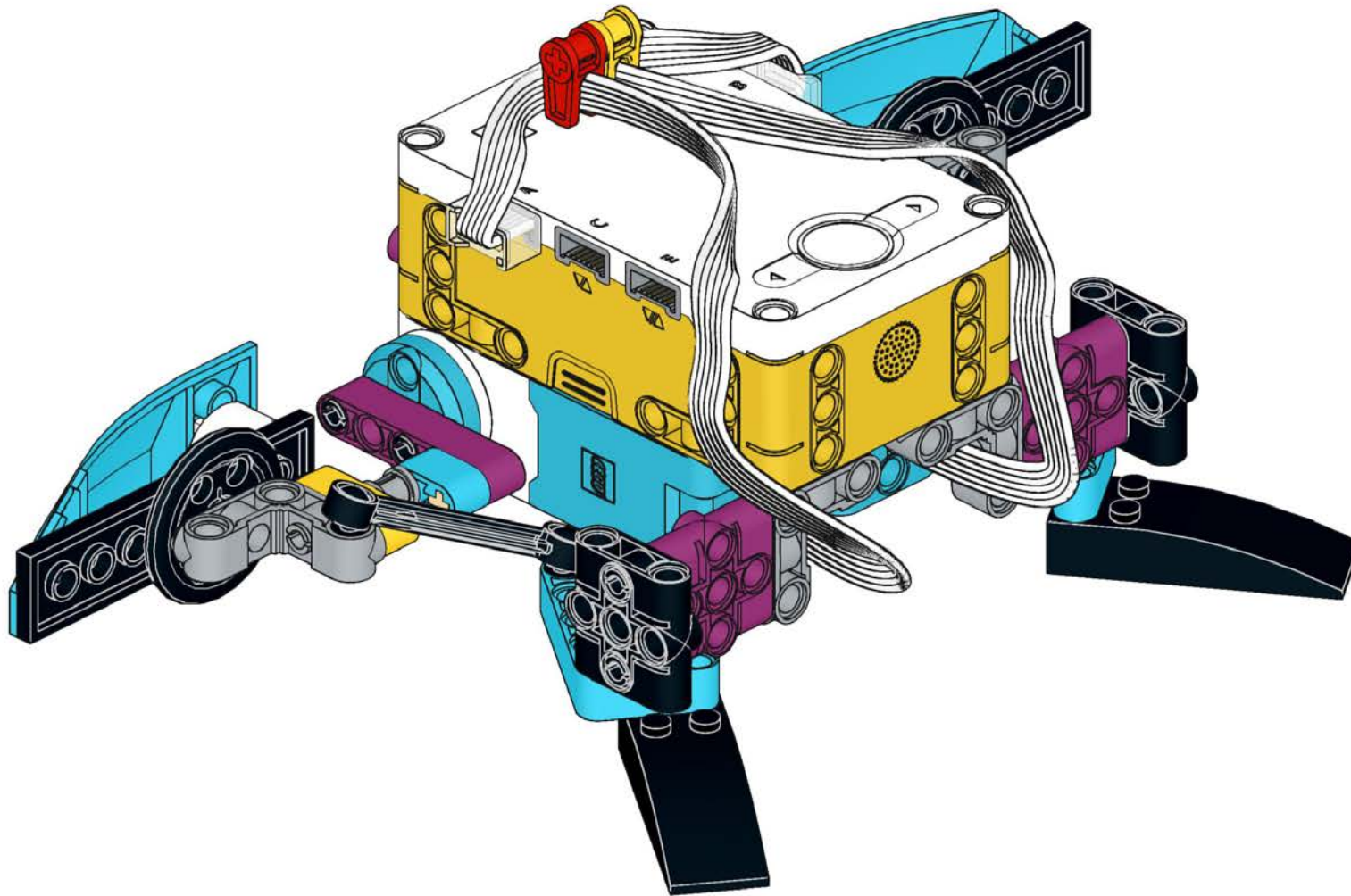
36



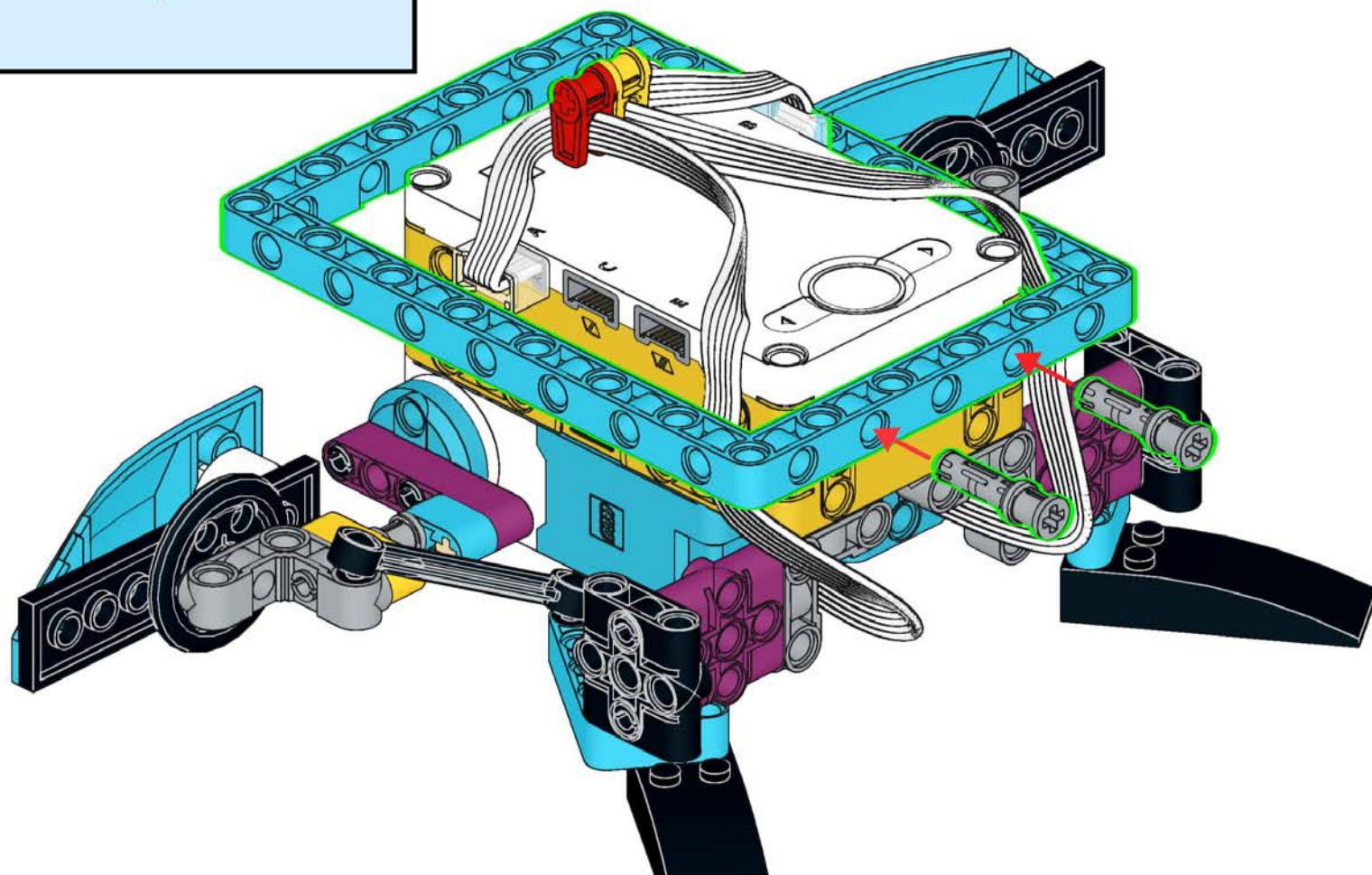
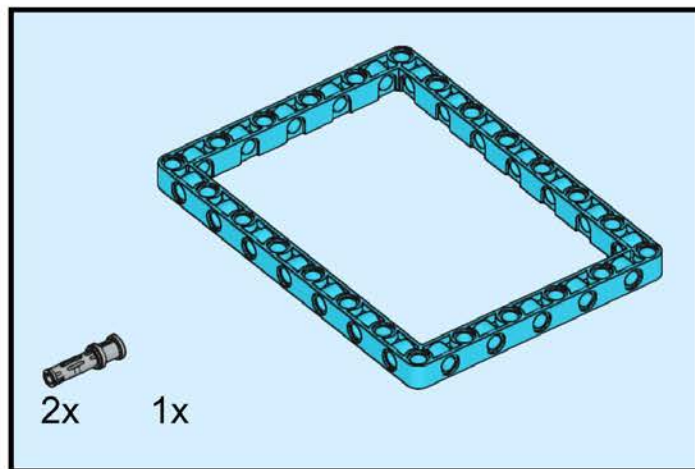
37



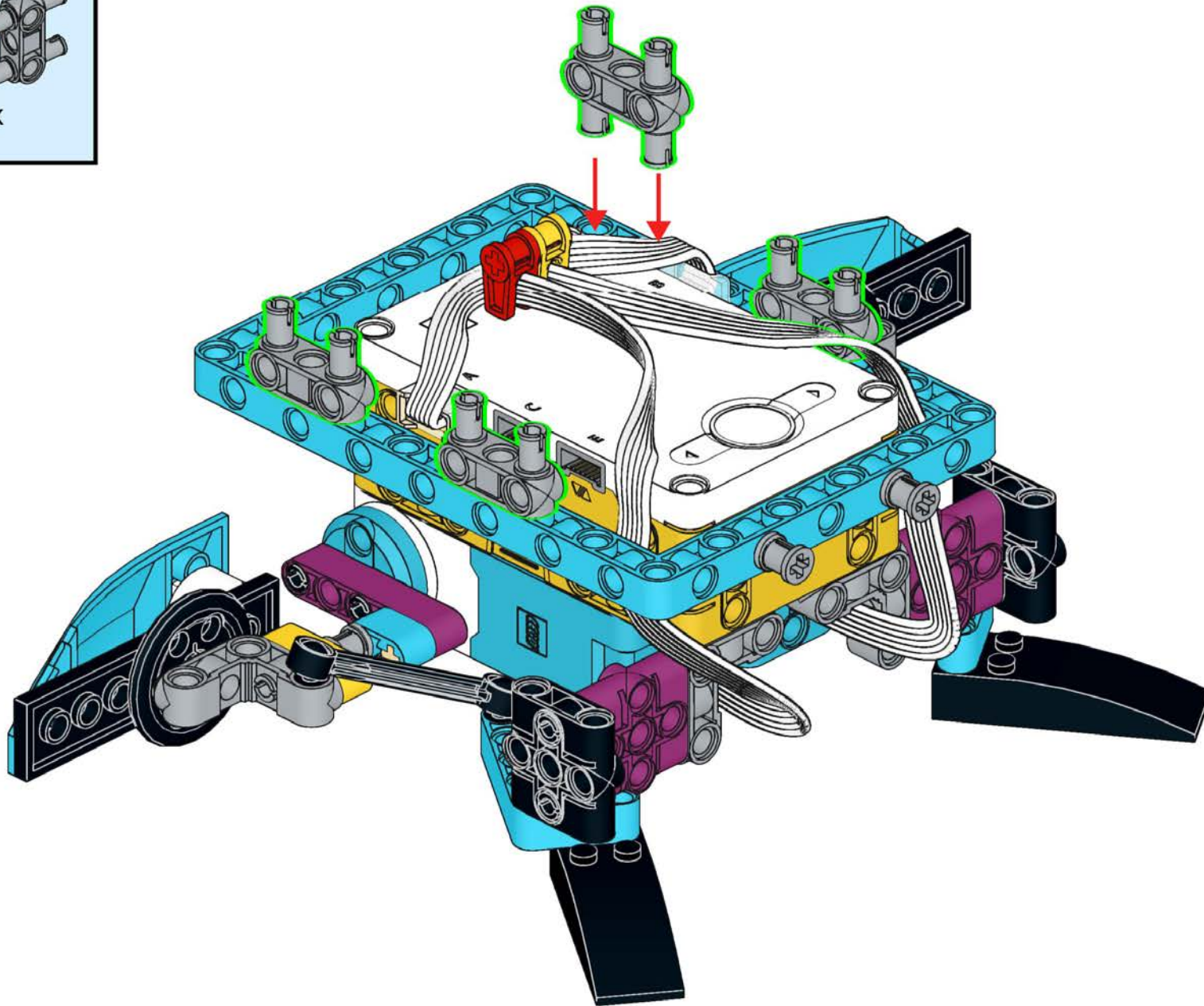
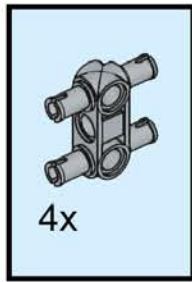
38



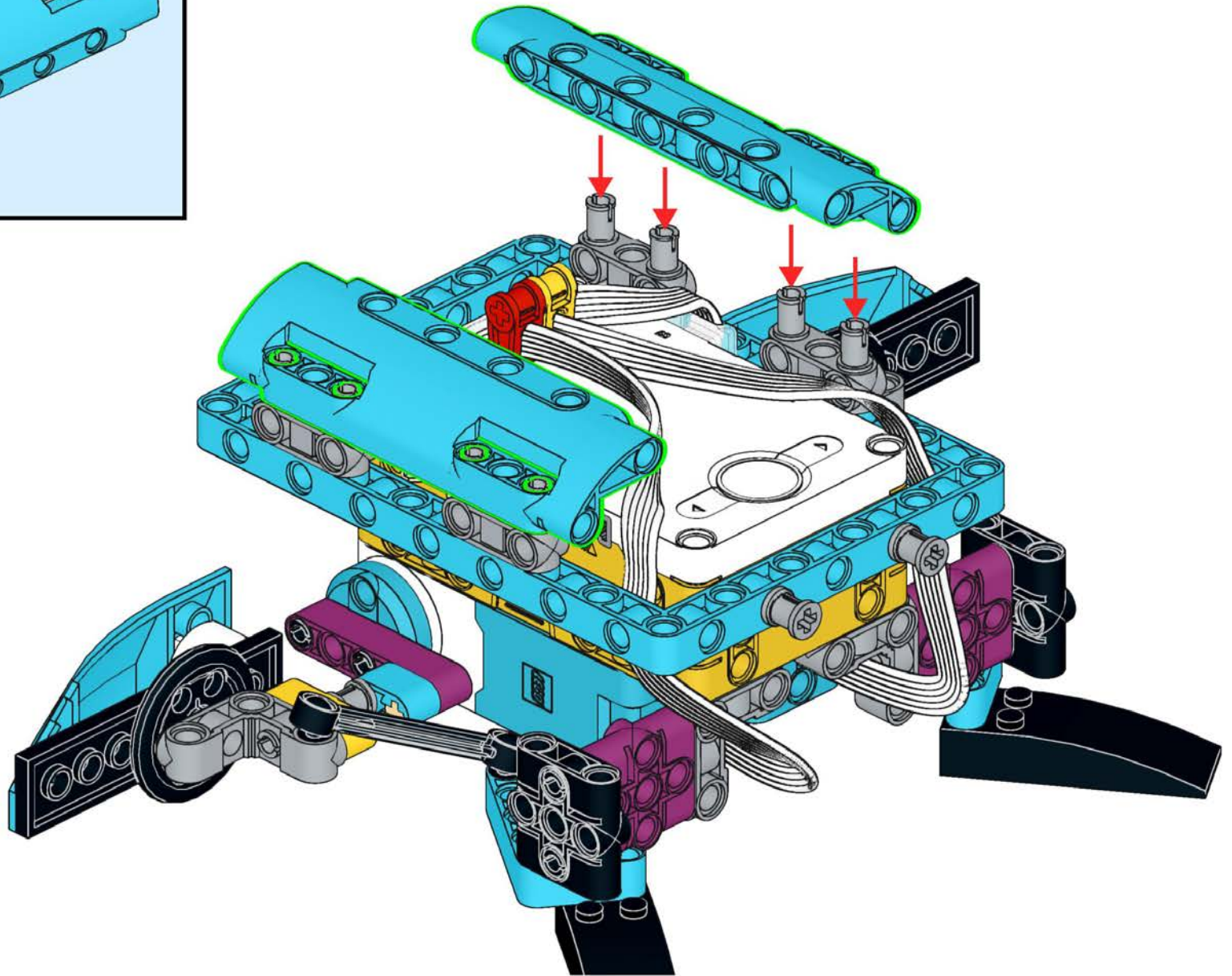
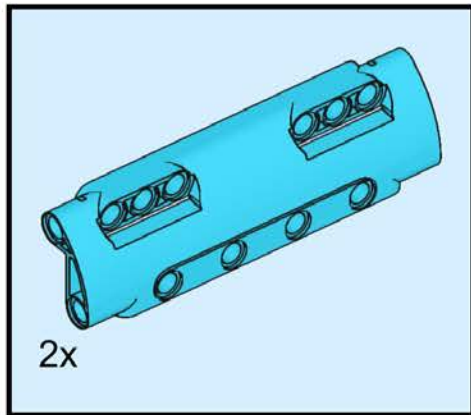
39



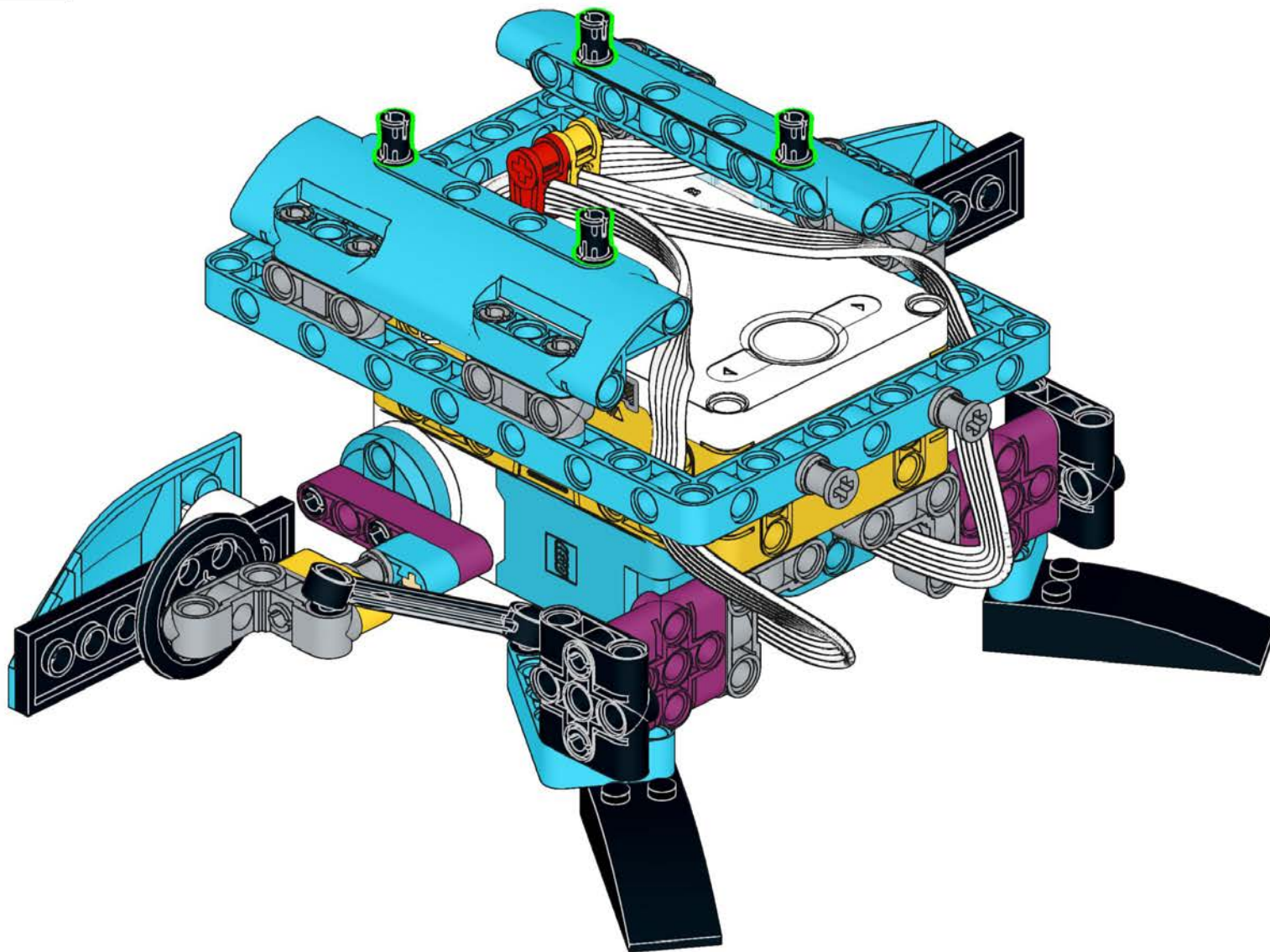
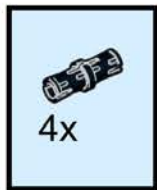
40



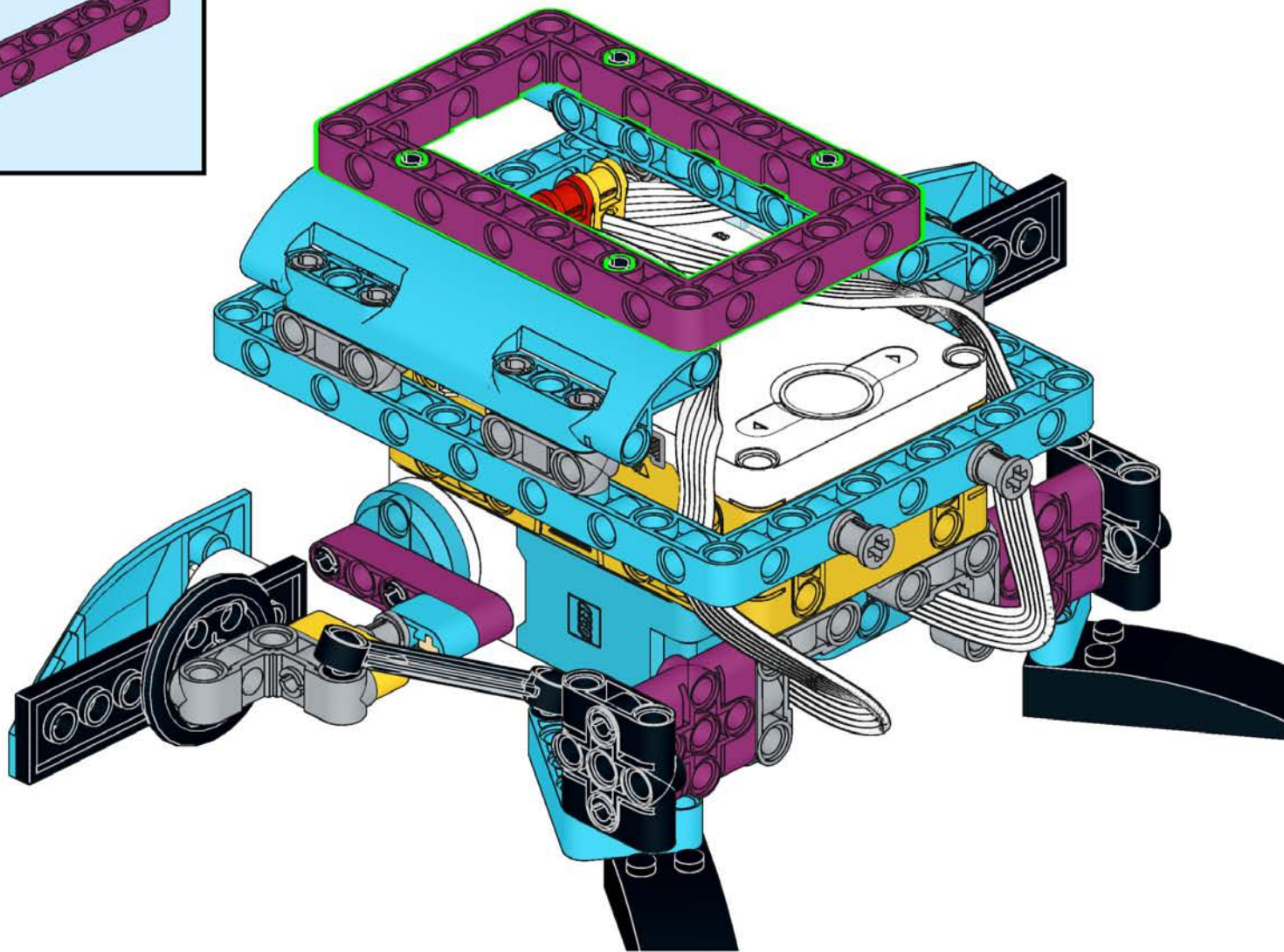
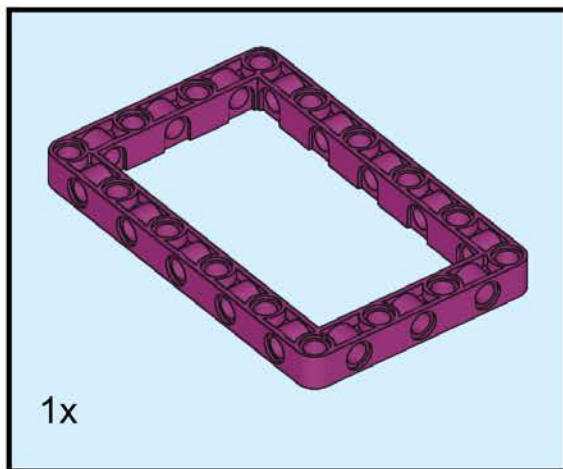
41



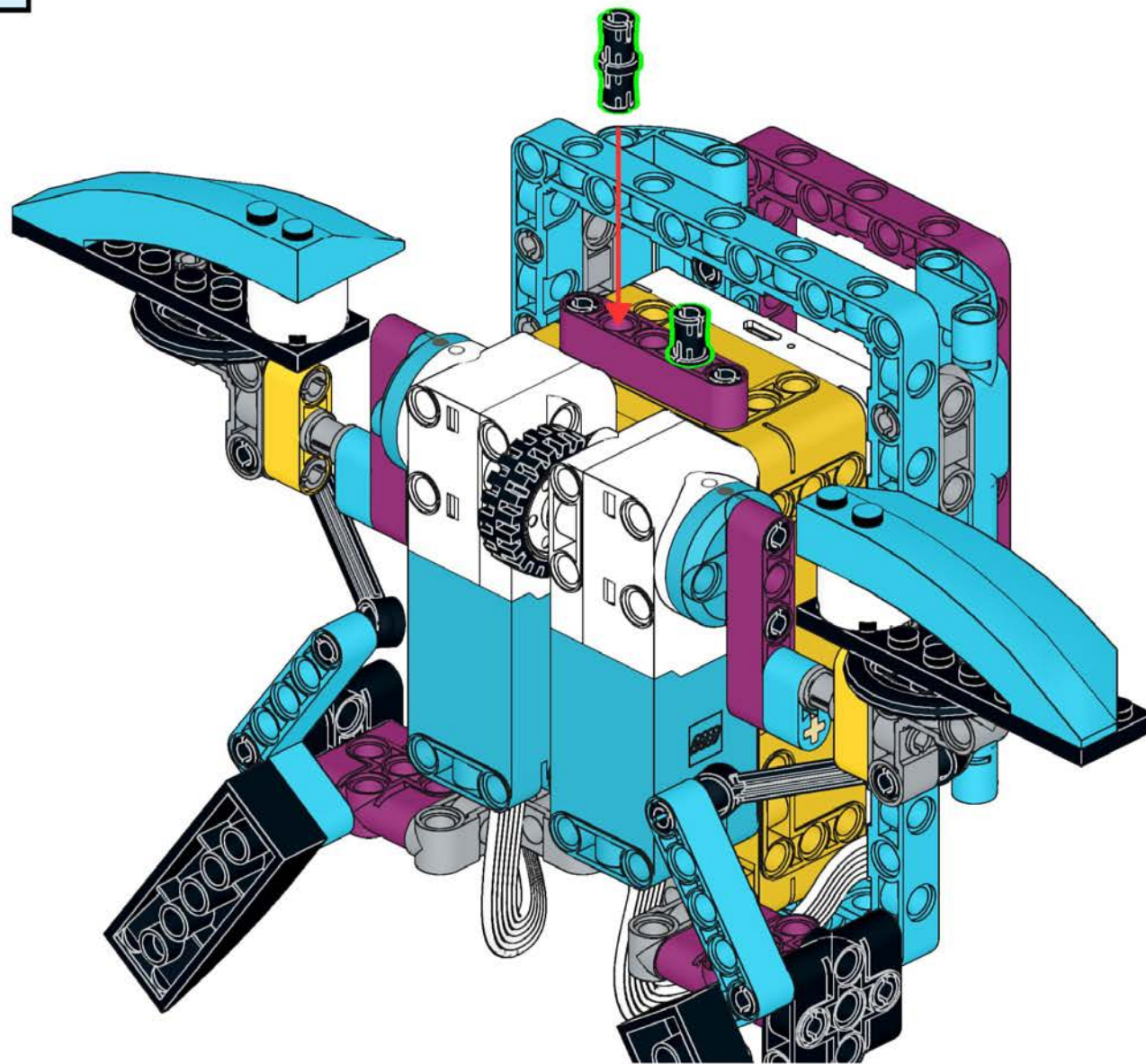
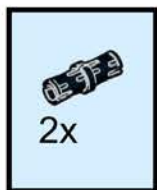
42



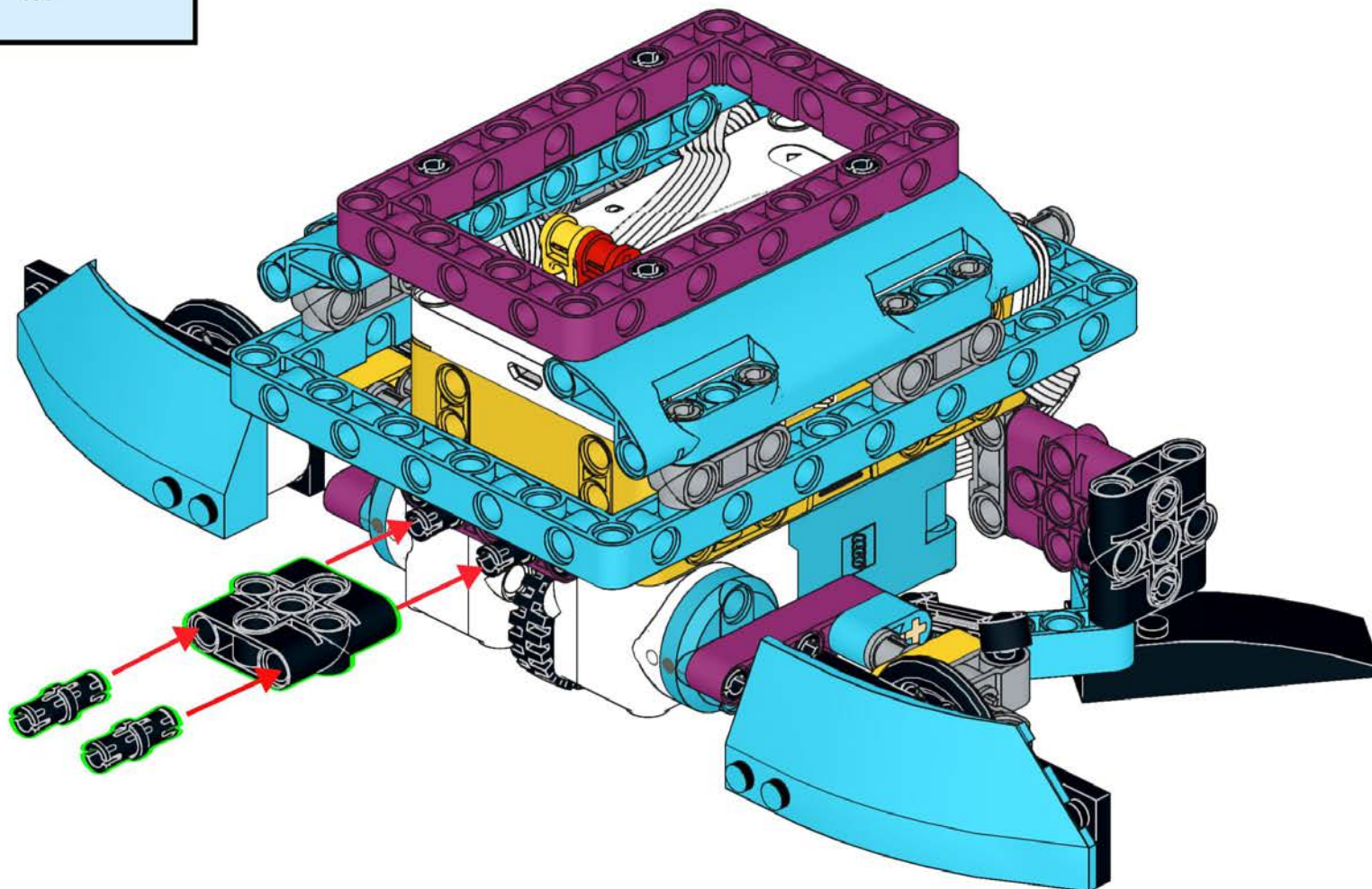
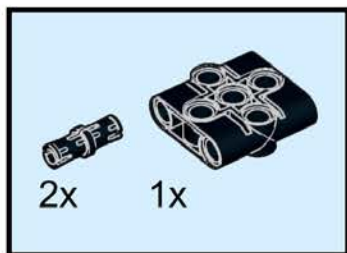
43



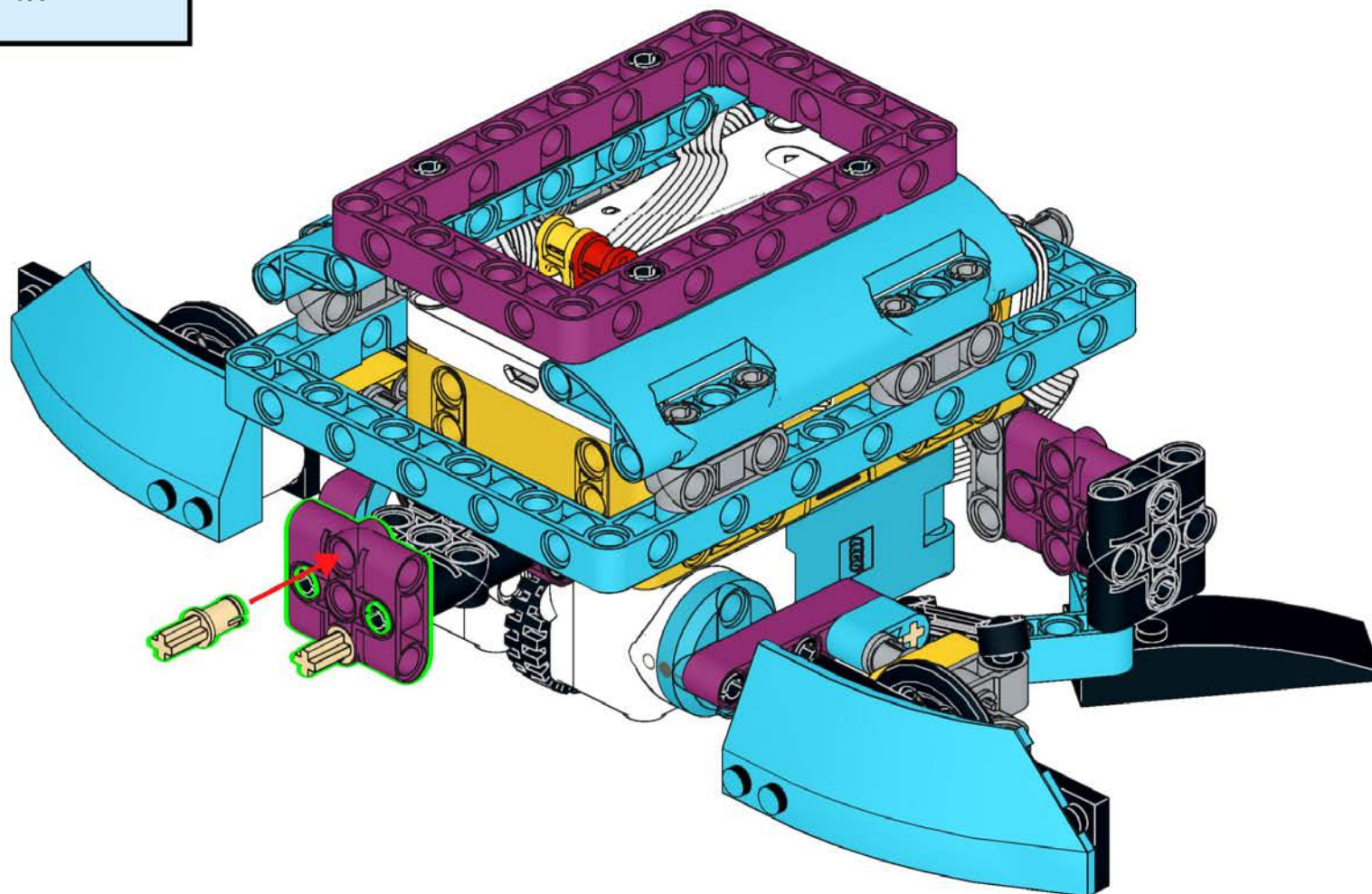
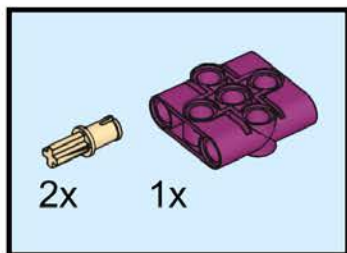
44



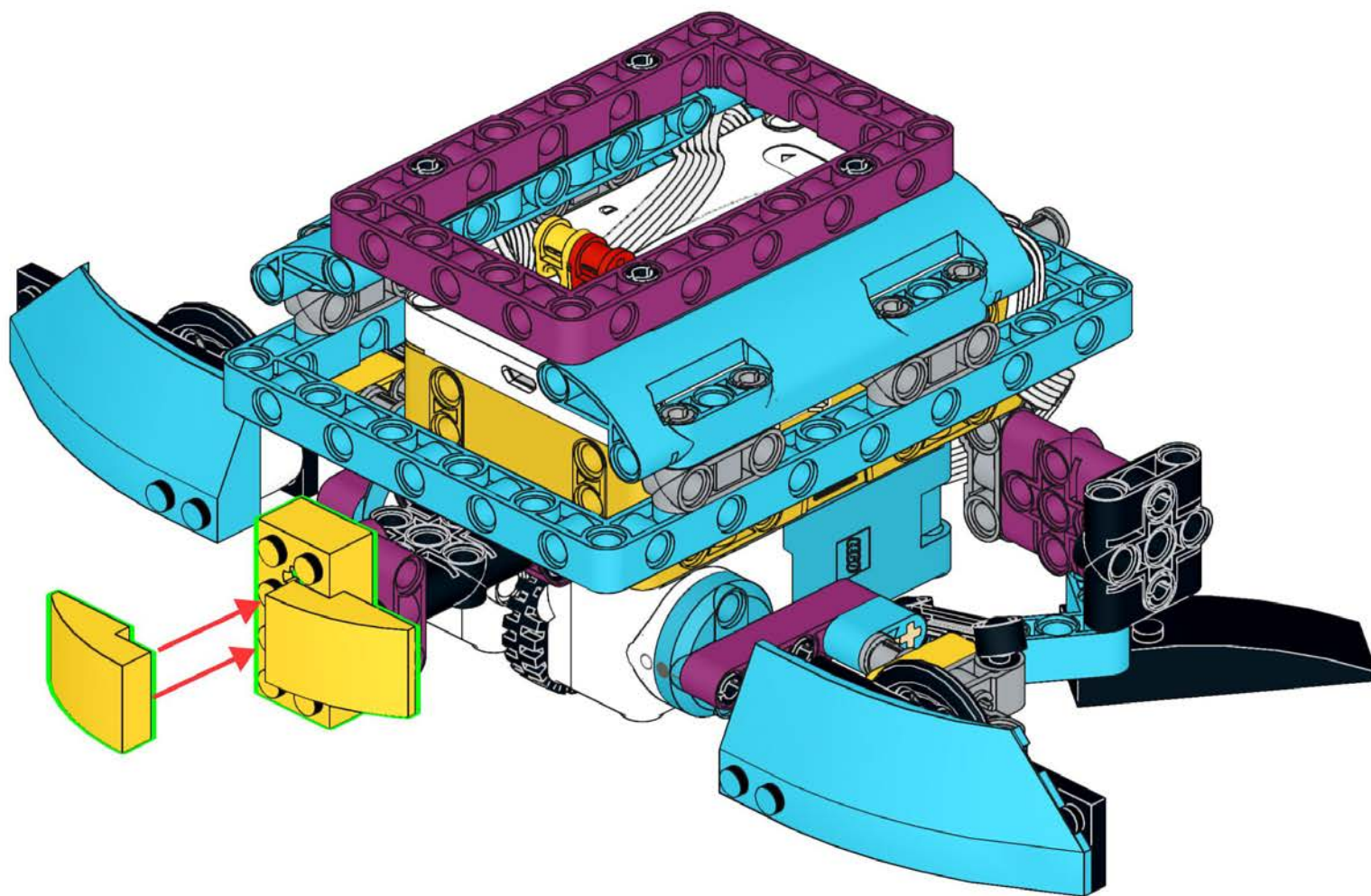
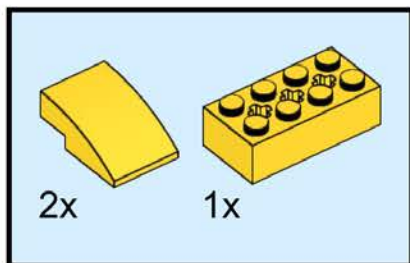
45



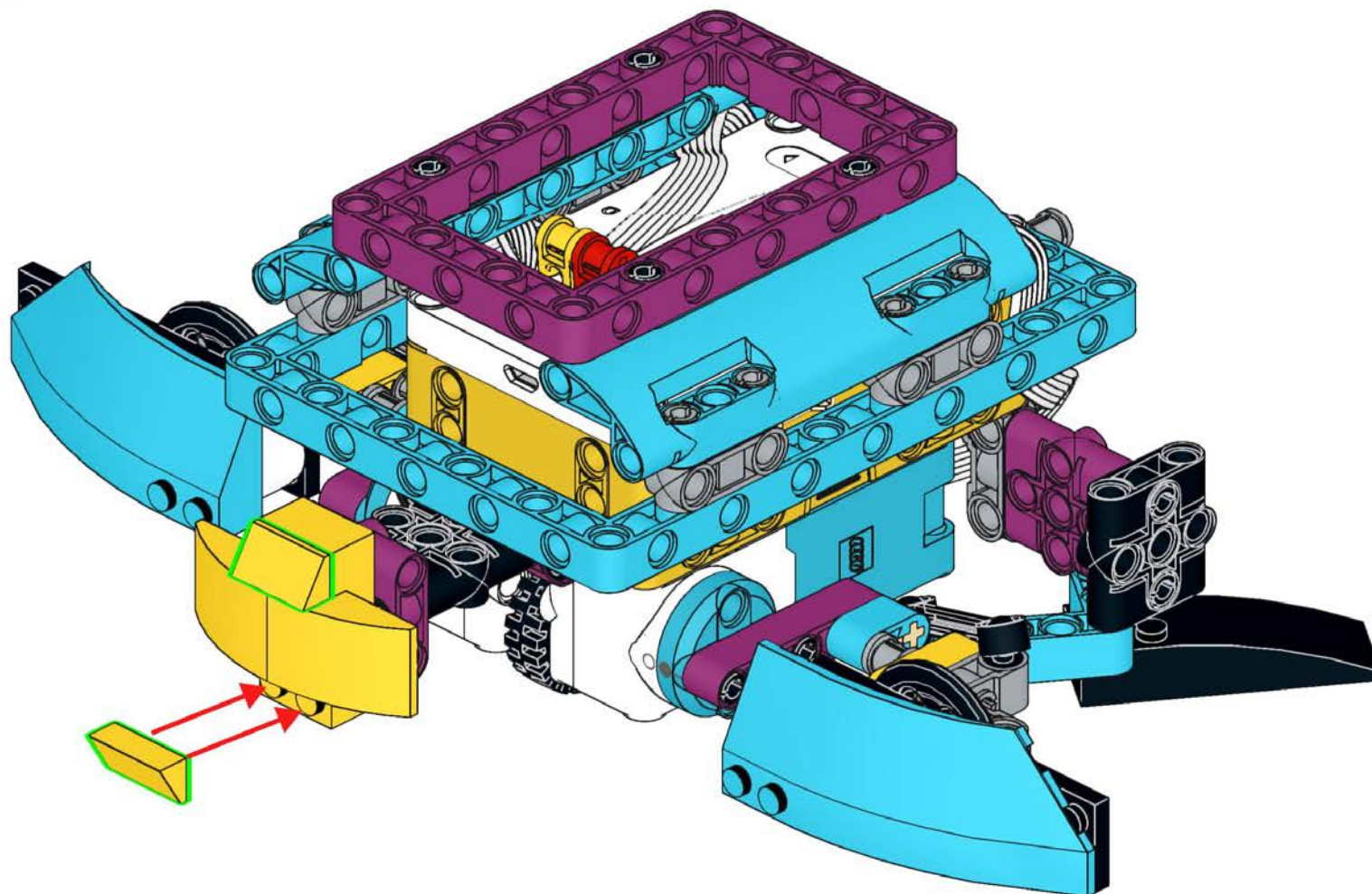
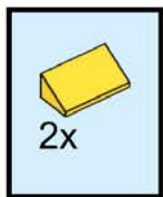
46



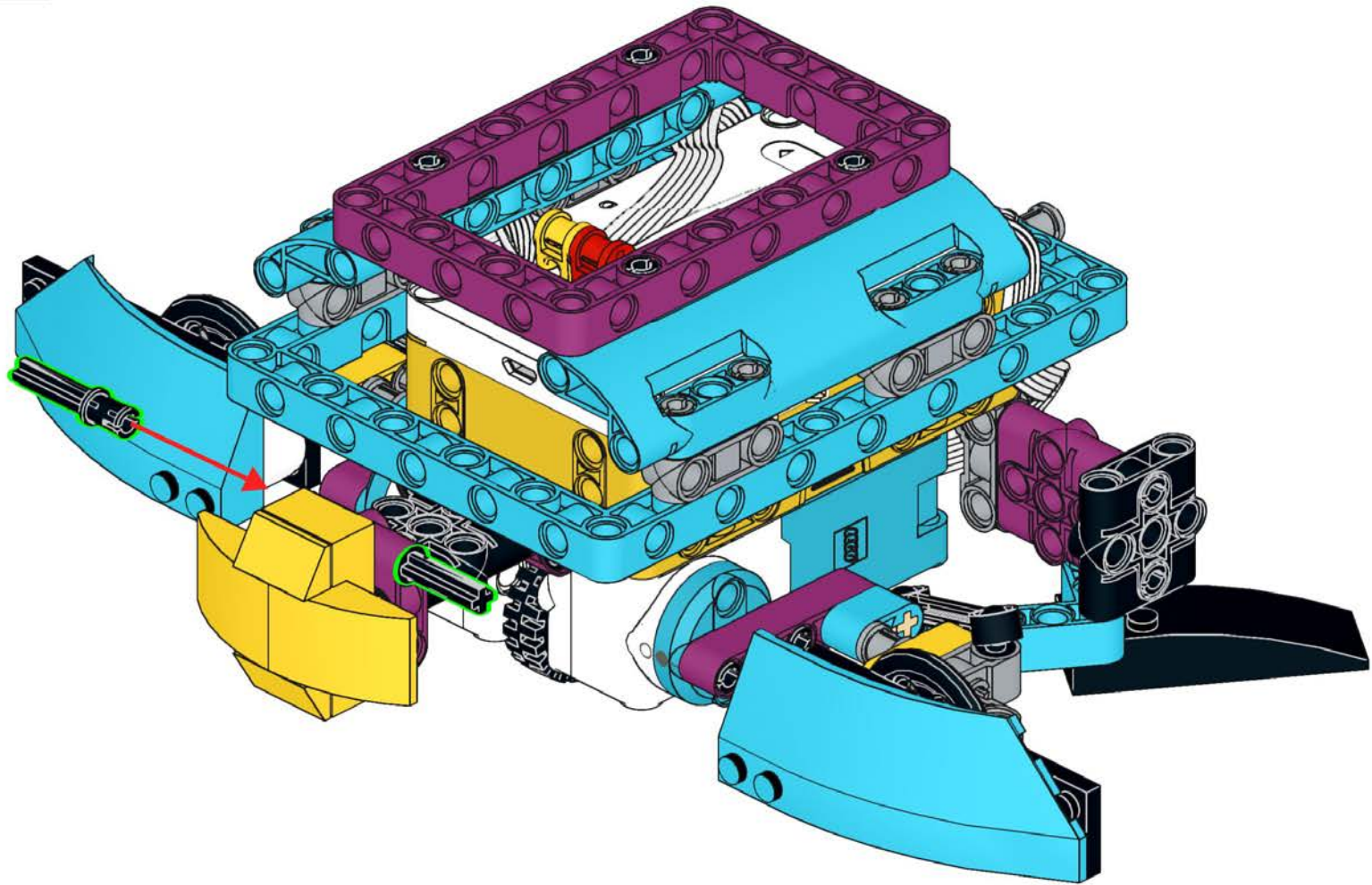
47



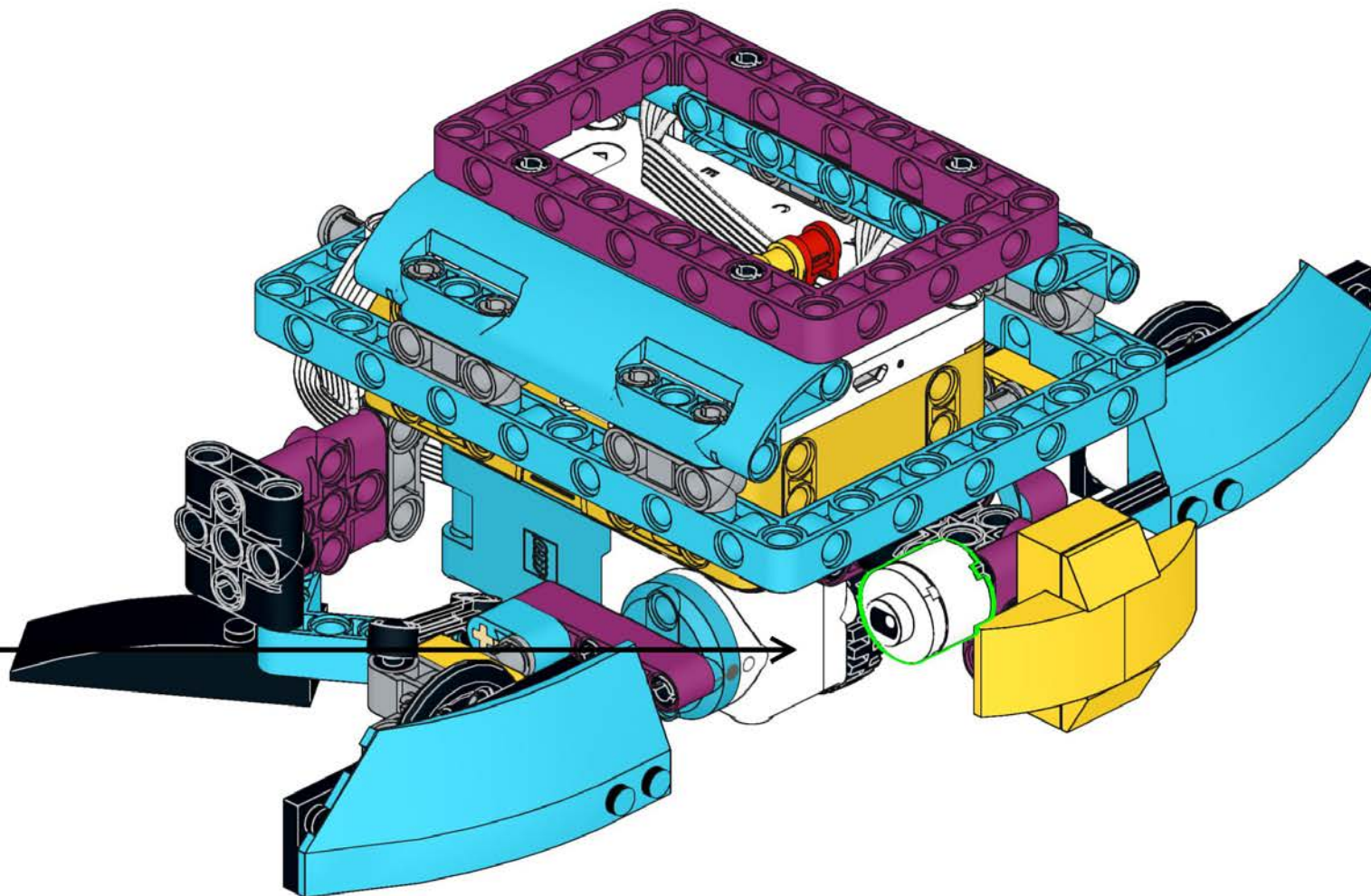
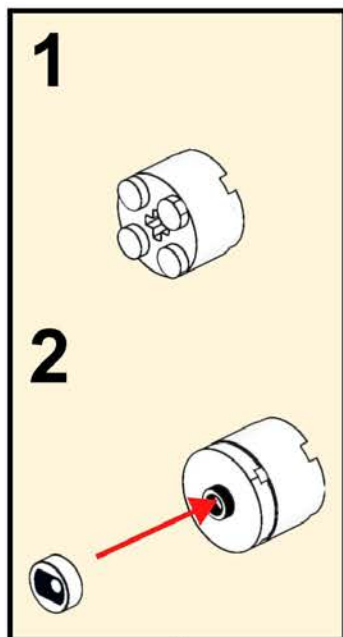
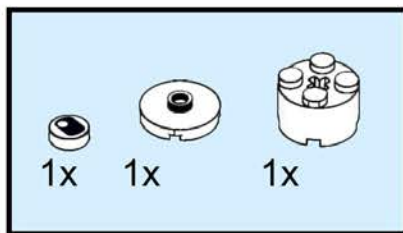
48



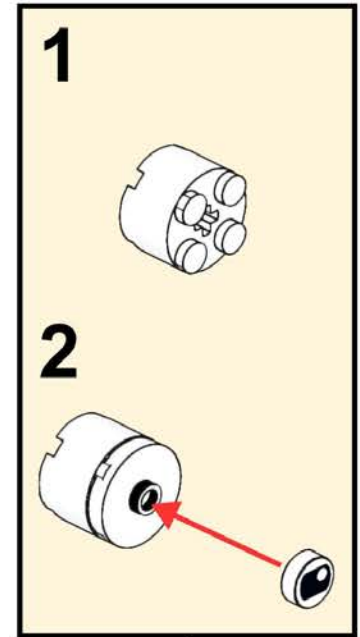
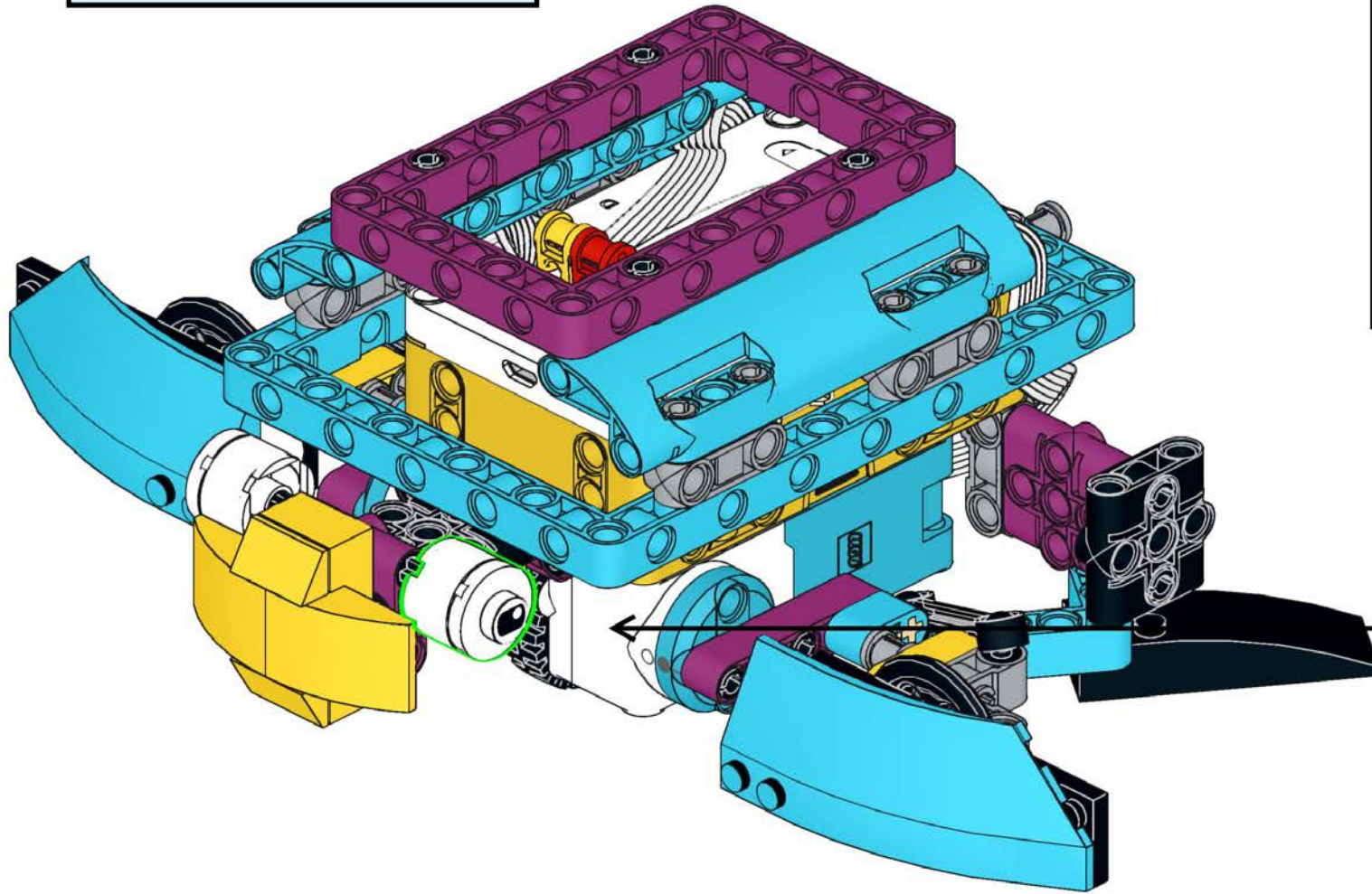
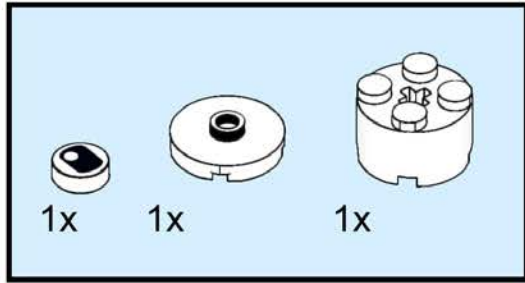
49



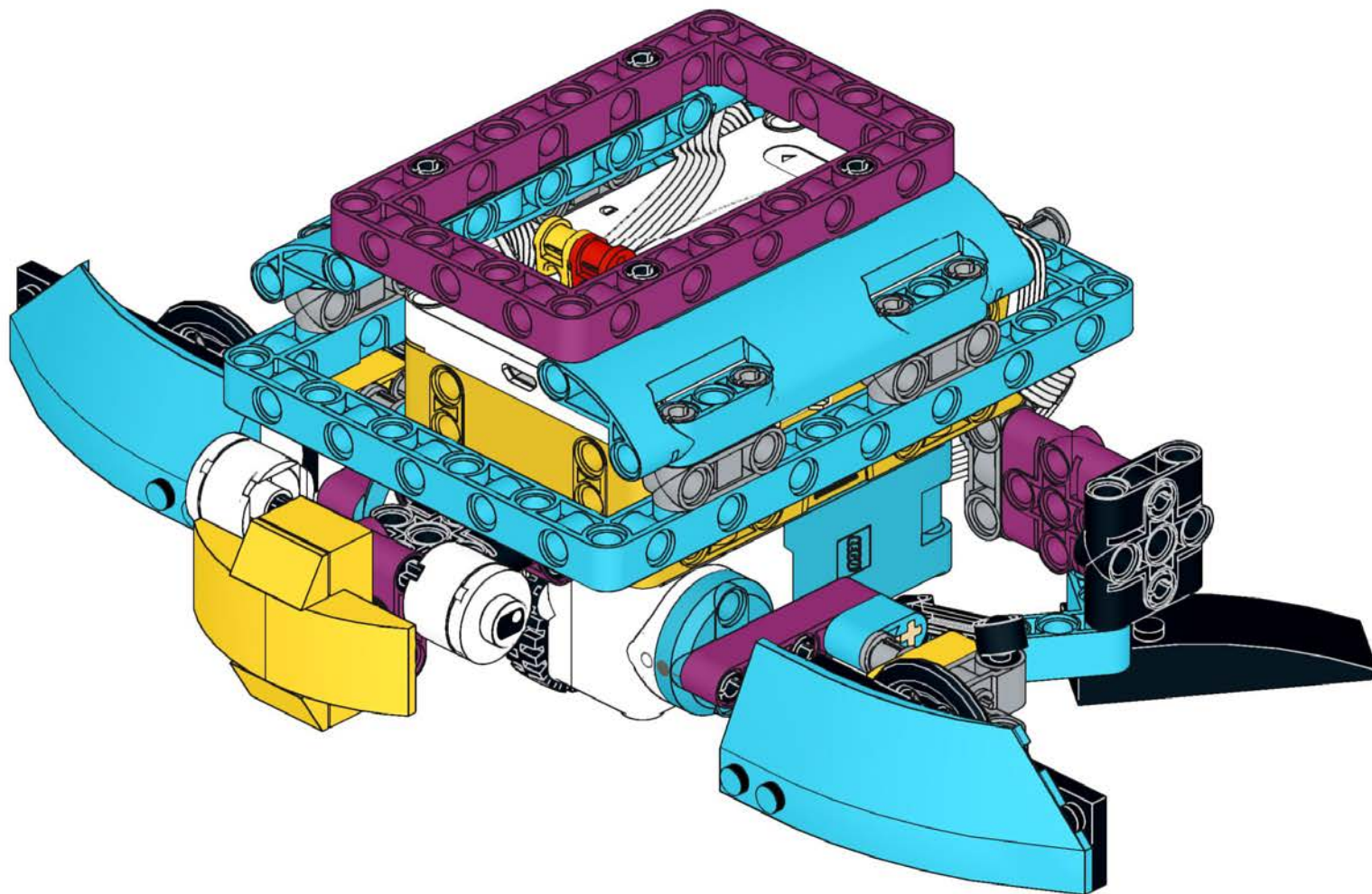
50



51



52





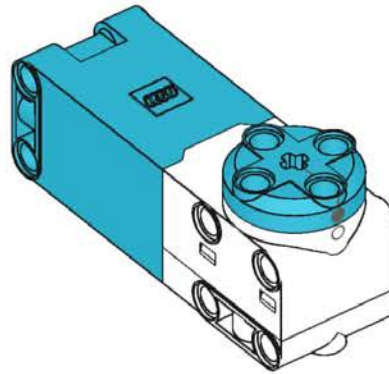
4x



2x



4x



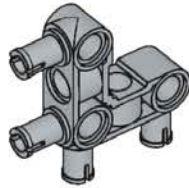
1x



28x



2x



2x



4x



5x



3x

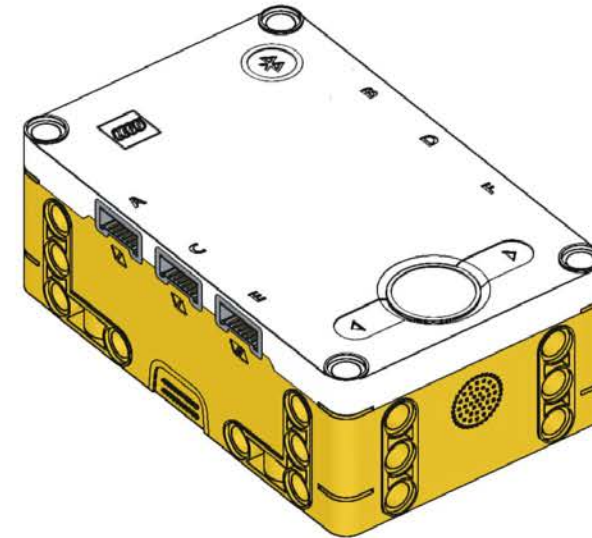


2x

4x



2x



1x



2x



2x



2x



2x



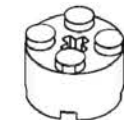
2x



1x



4x



4x



2x

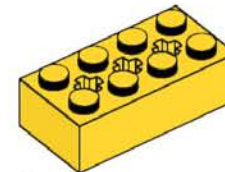


1x

1x



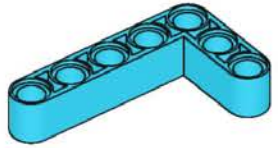
1x



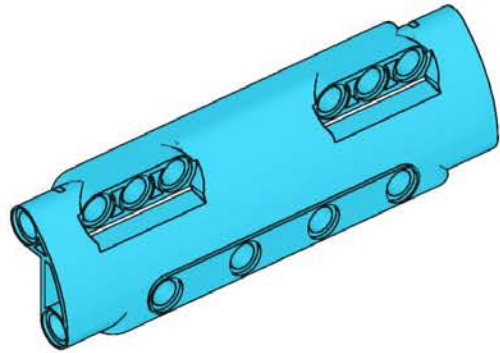
1x



2x



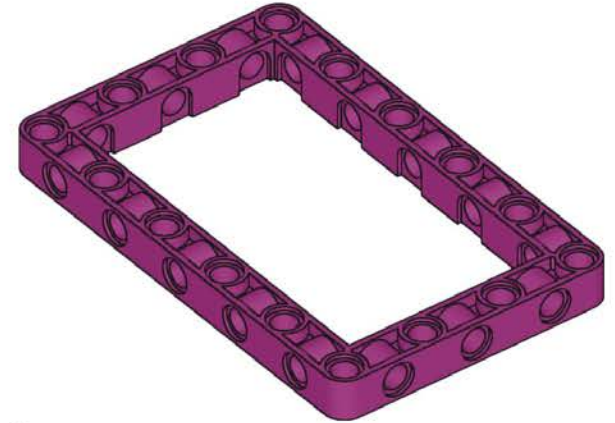
2x



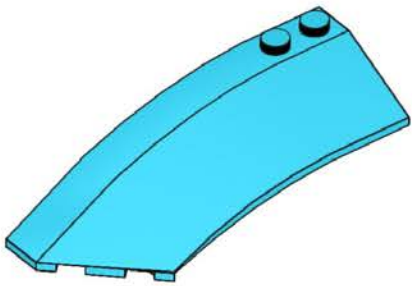
2x



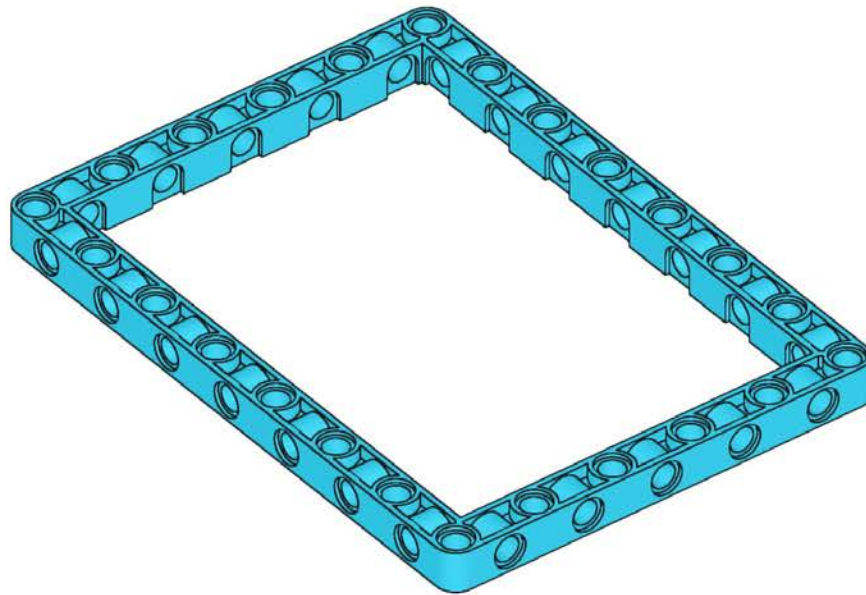
3x



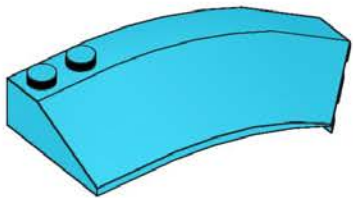
1x



1x



1x



1x



3x