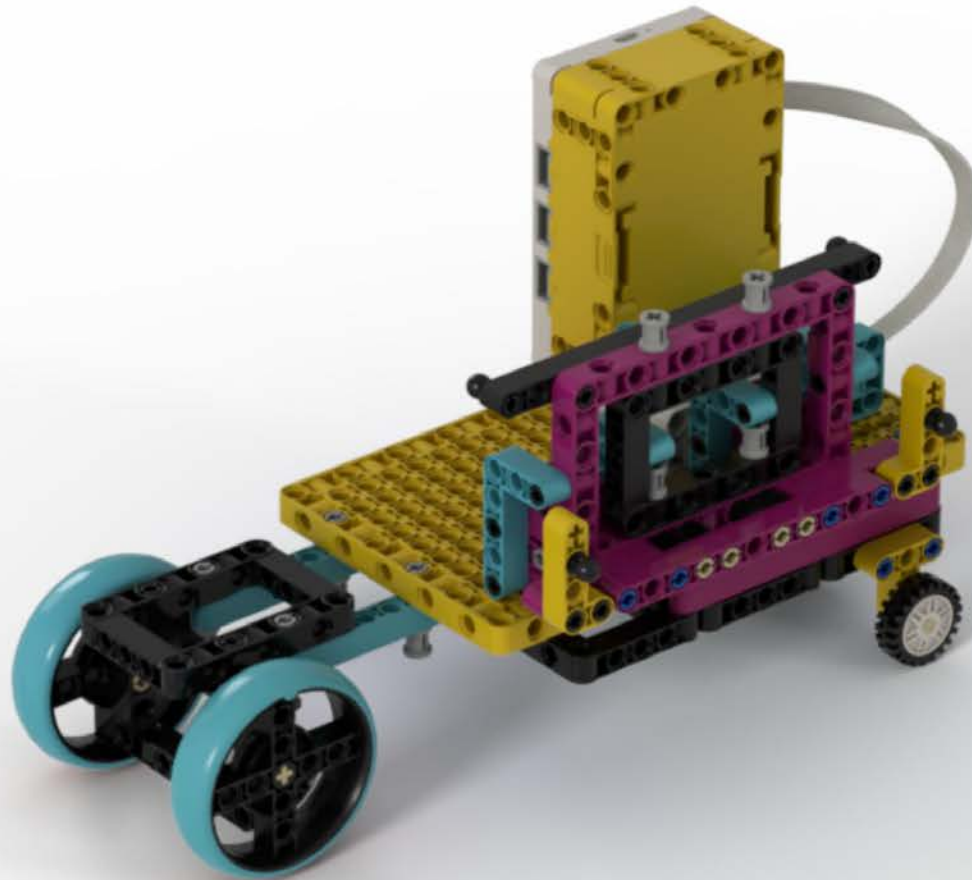




# TIMELAPSE PRIME



***Project by Creator Academy  
Instructions by @Vladik.Bo***

# You Need:

**1 x SPIKE Prime  
Education Set  
45678**

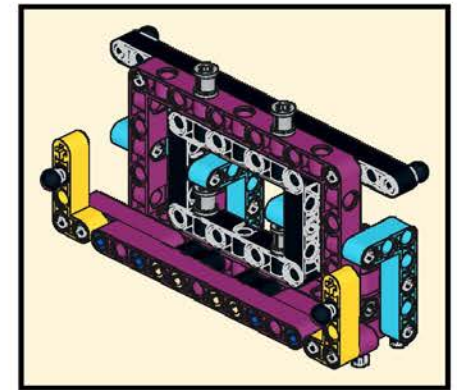
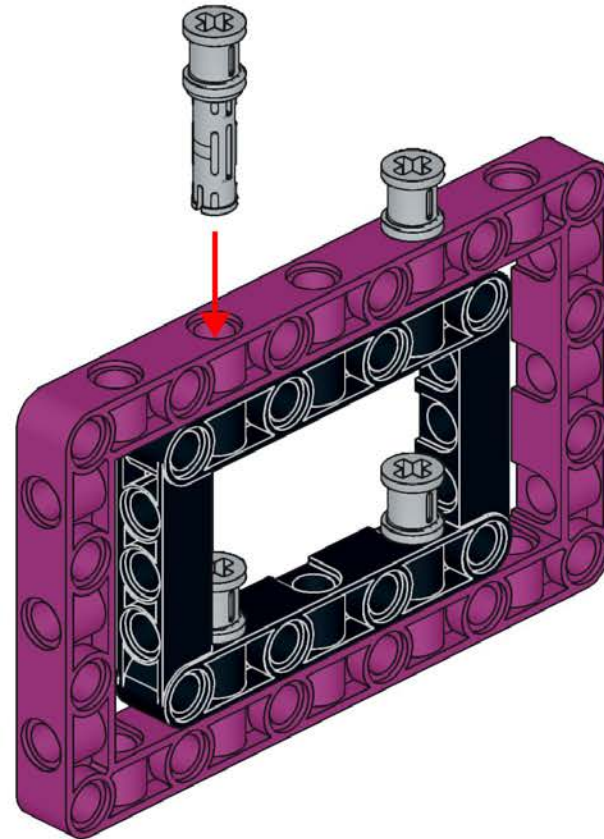
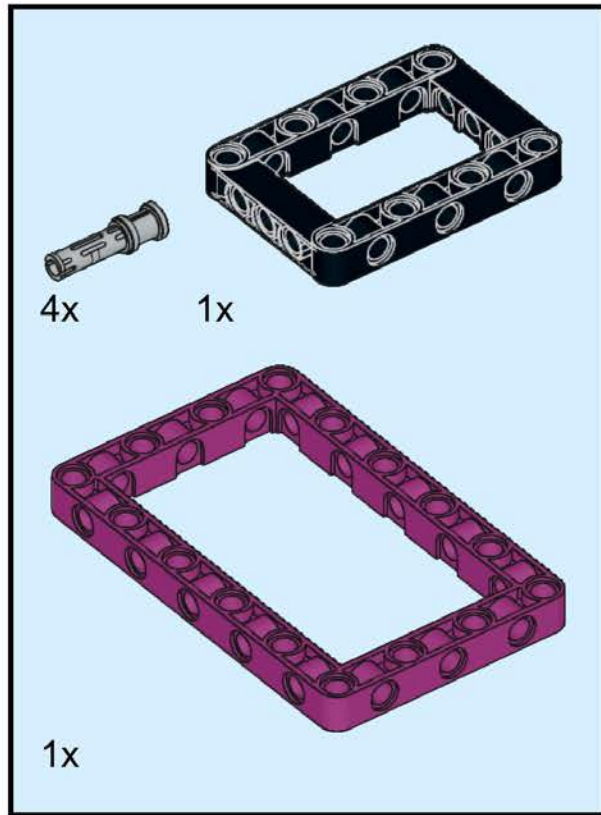
**1 x SPIKE Prime  
Expansion Set  
45680**



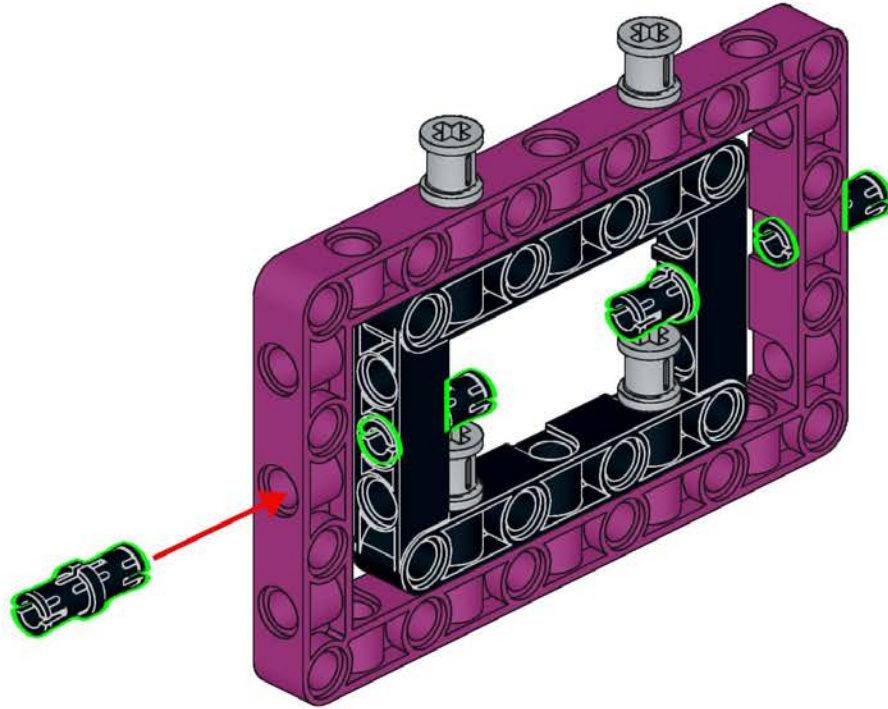
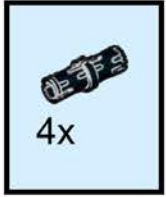
+



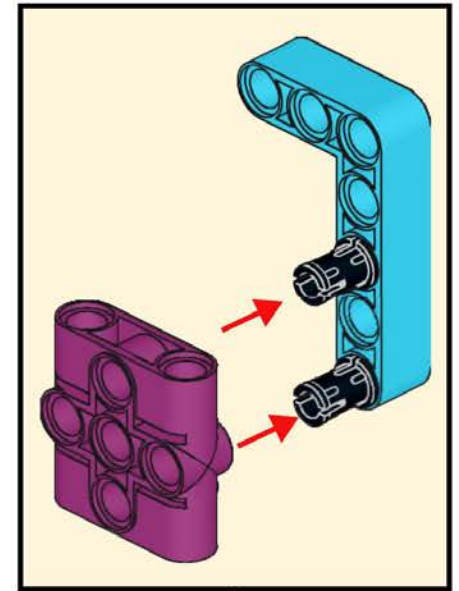
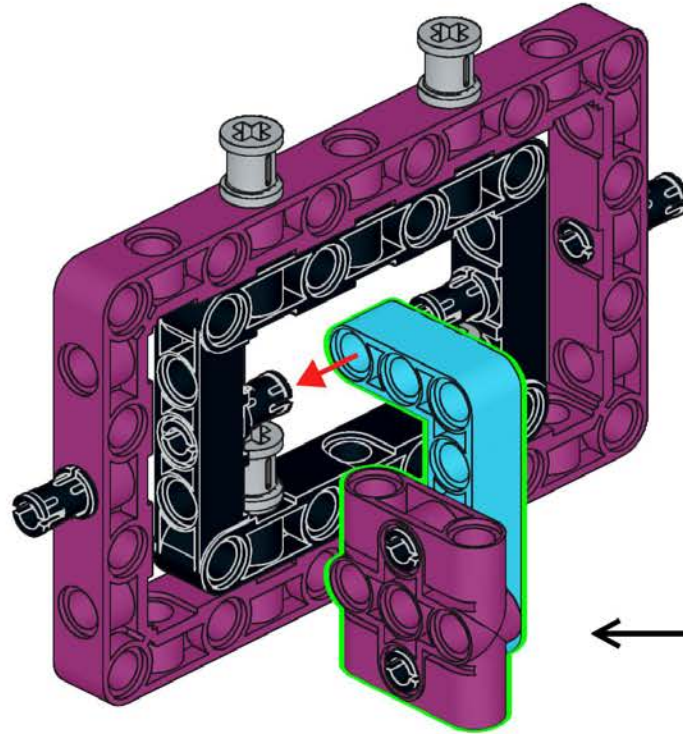
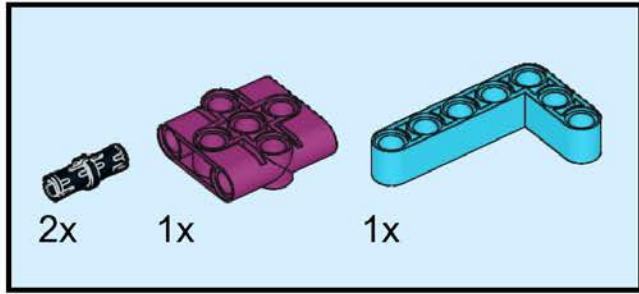
# 1



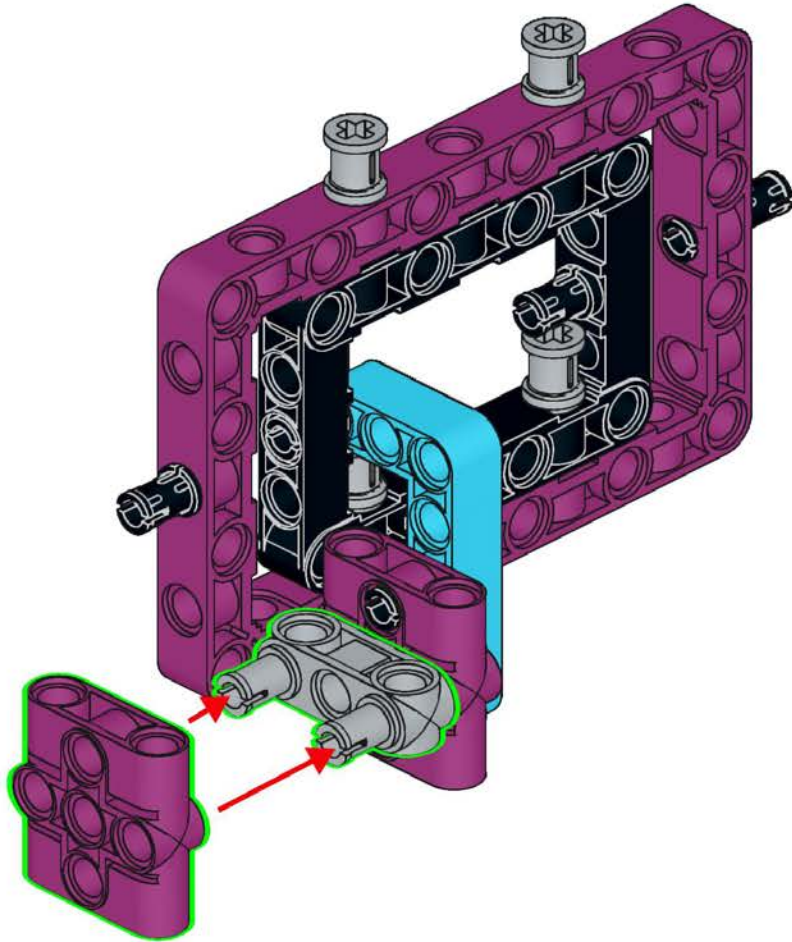
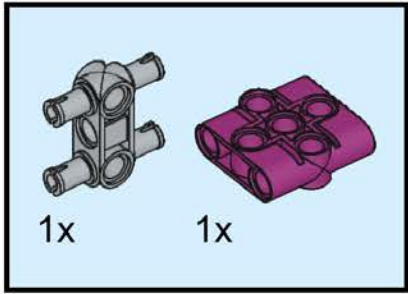
2



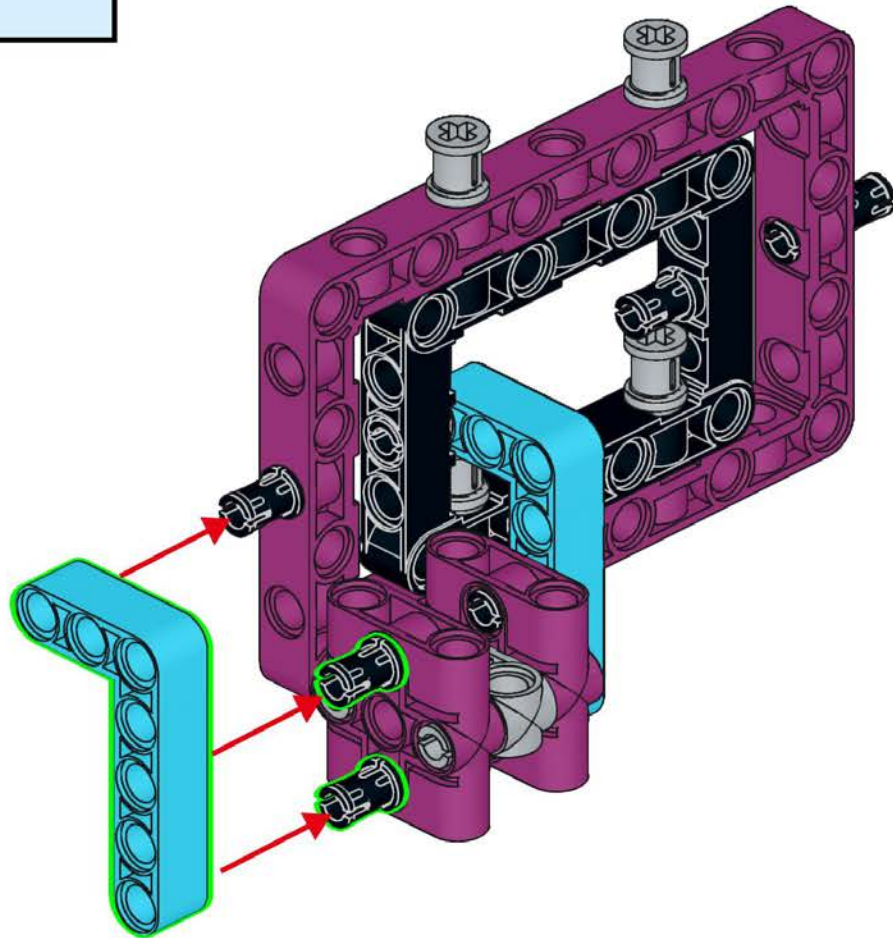
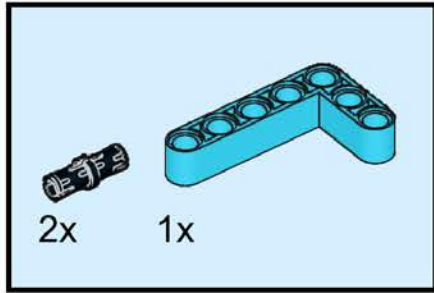
# 3



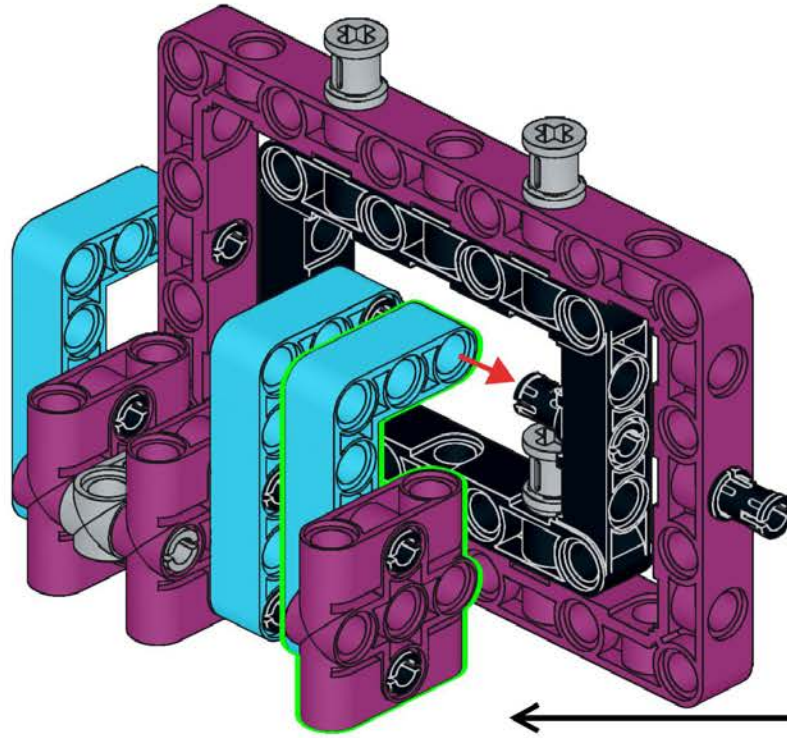
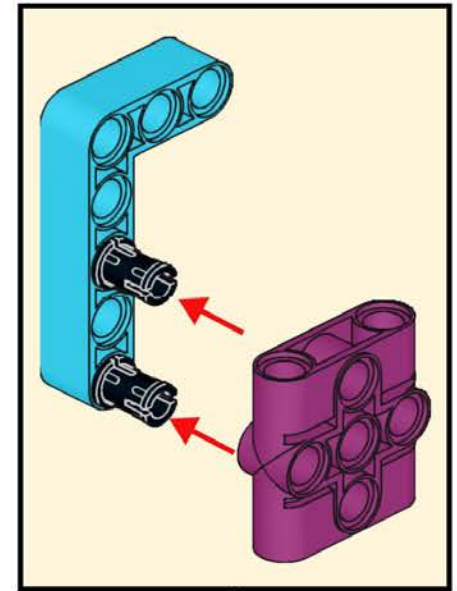
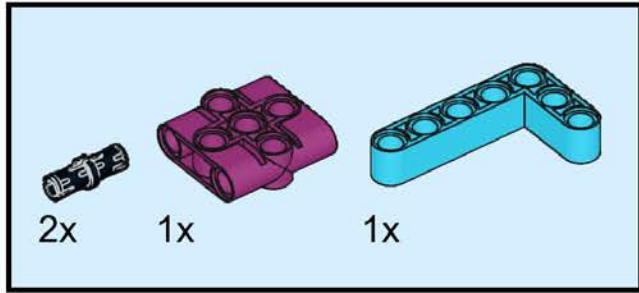
4



5

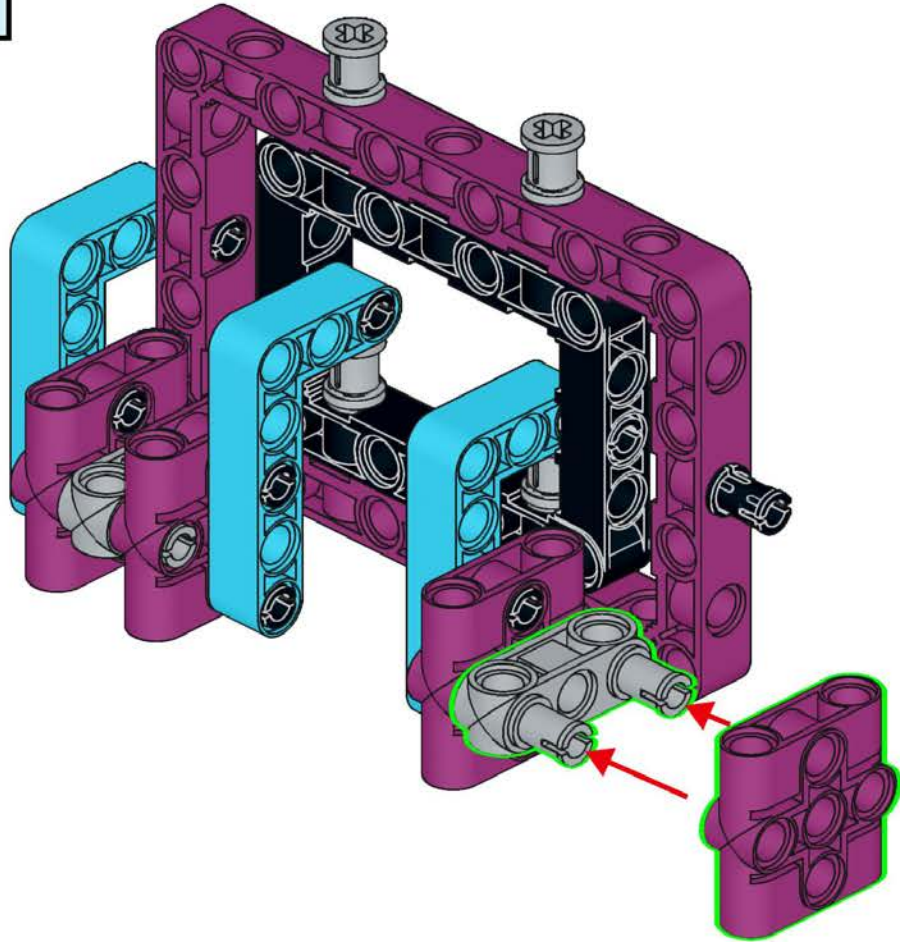
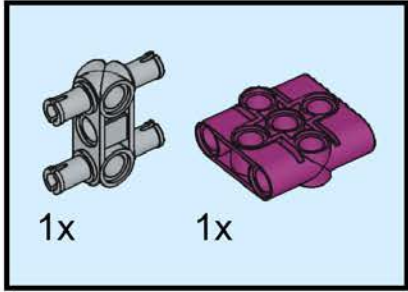


# 6

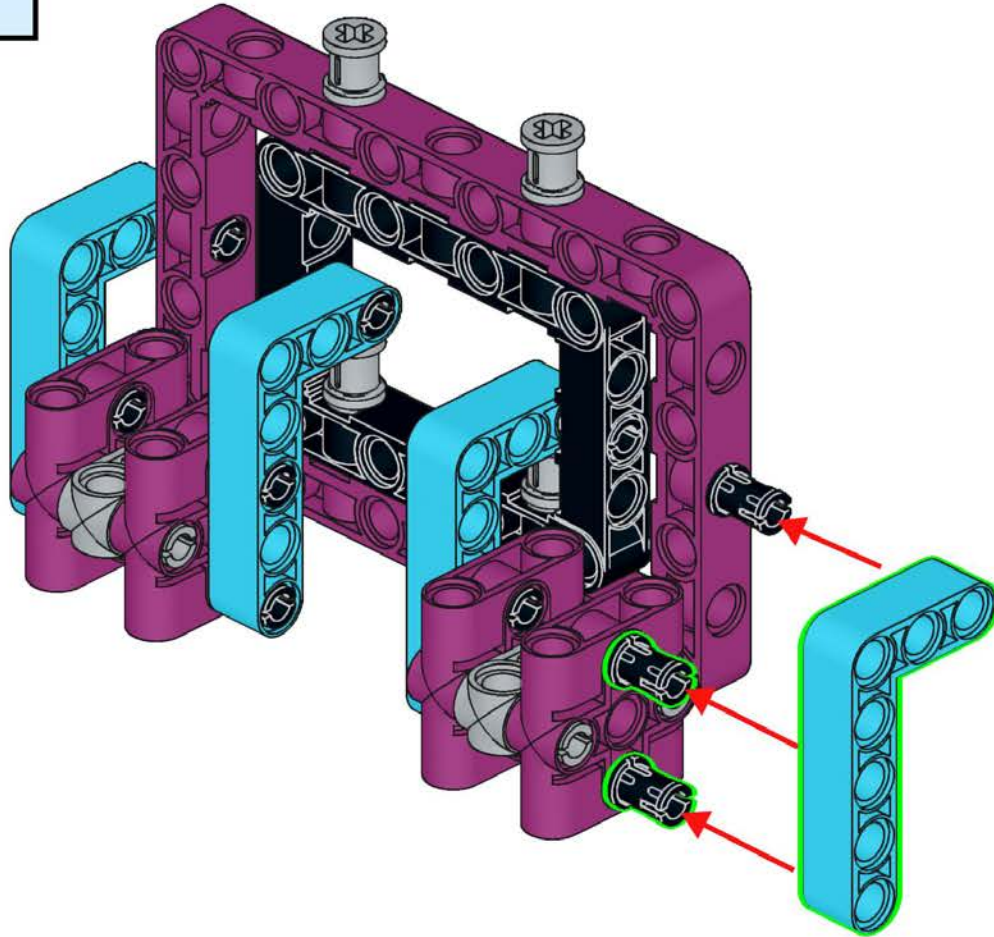
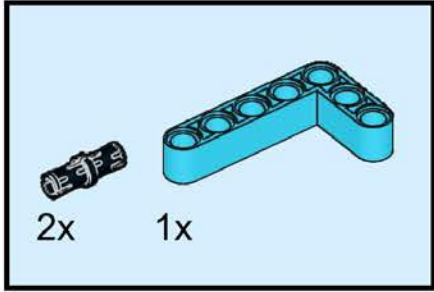




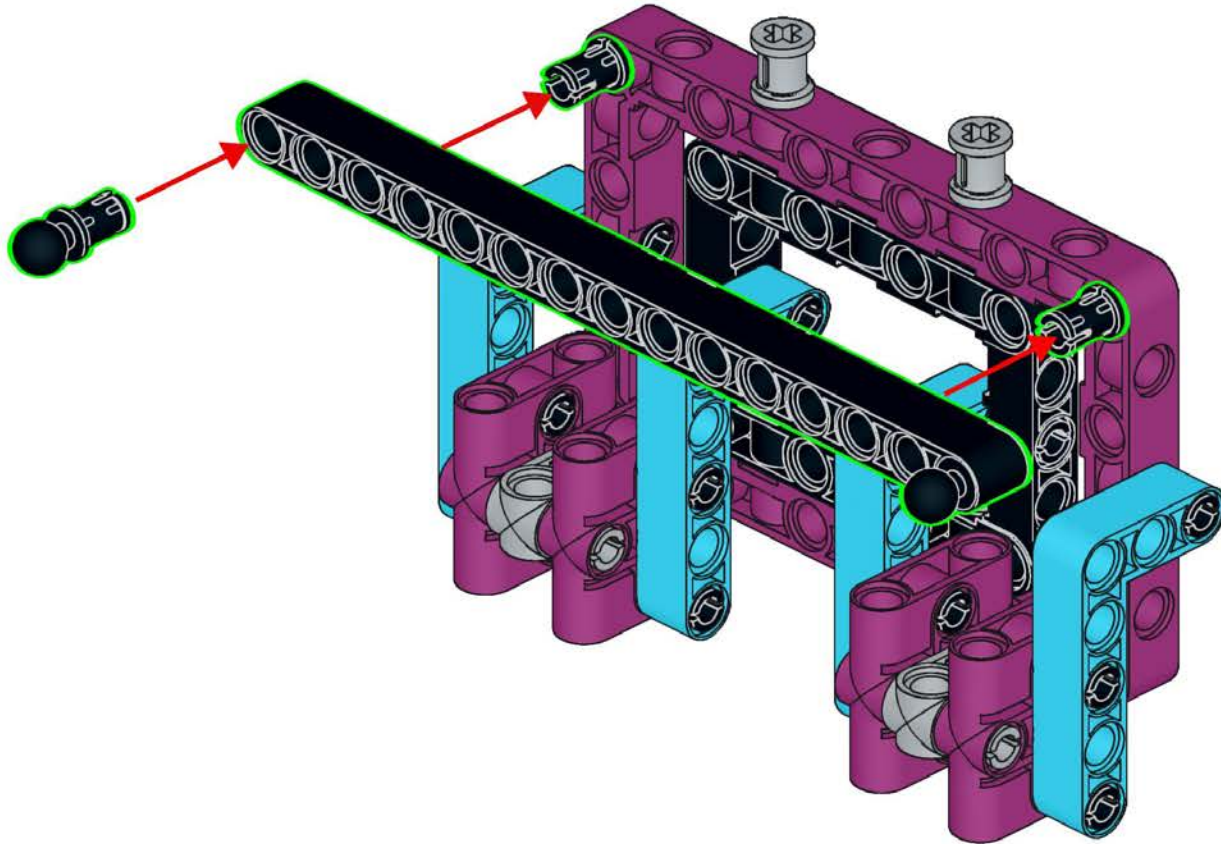
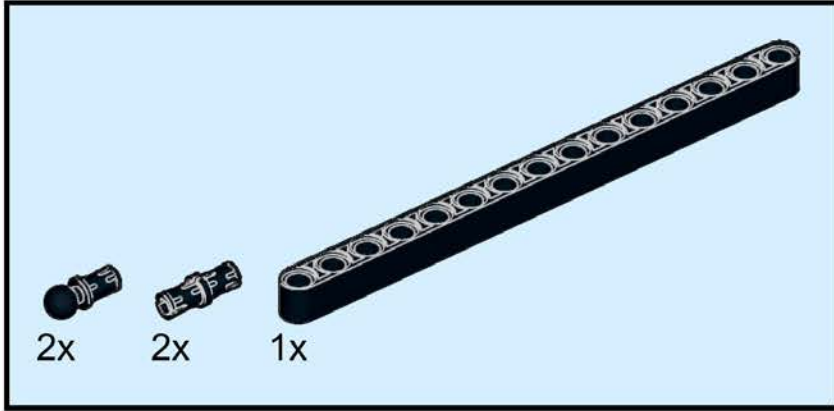
7



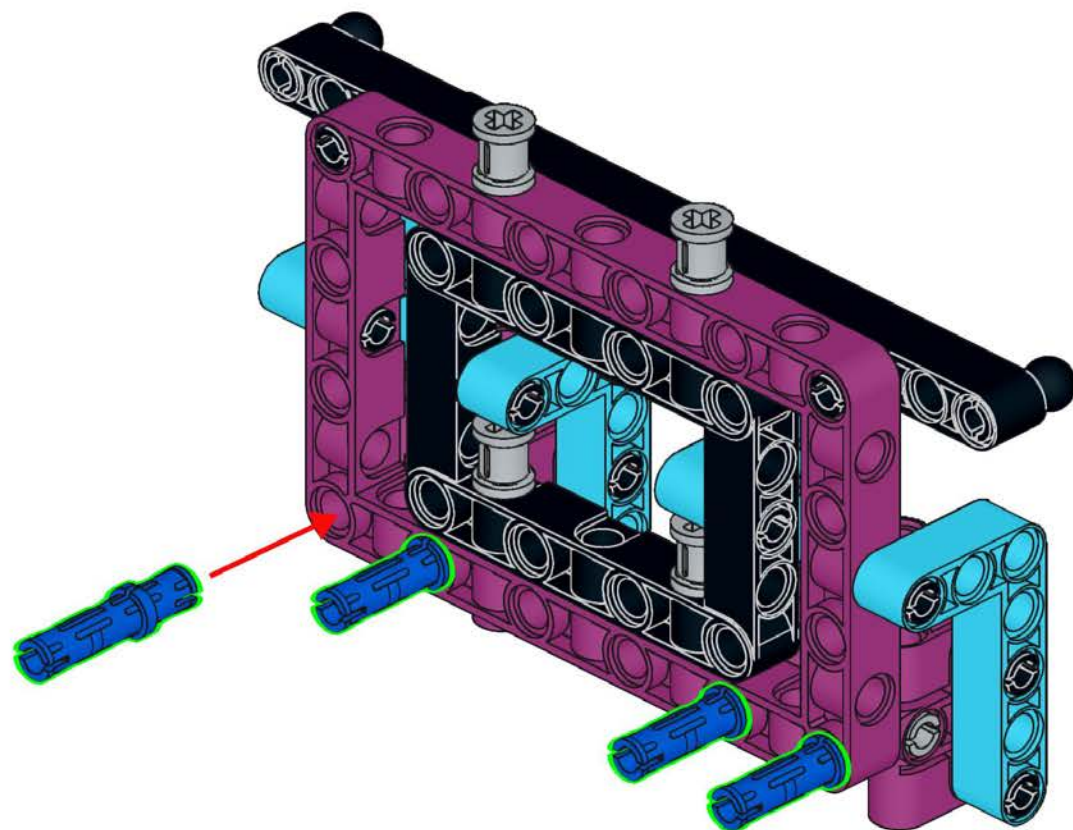
8



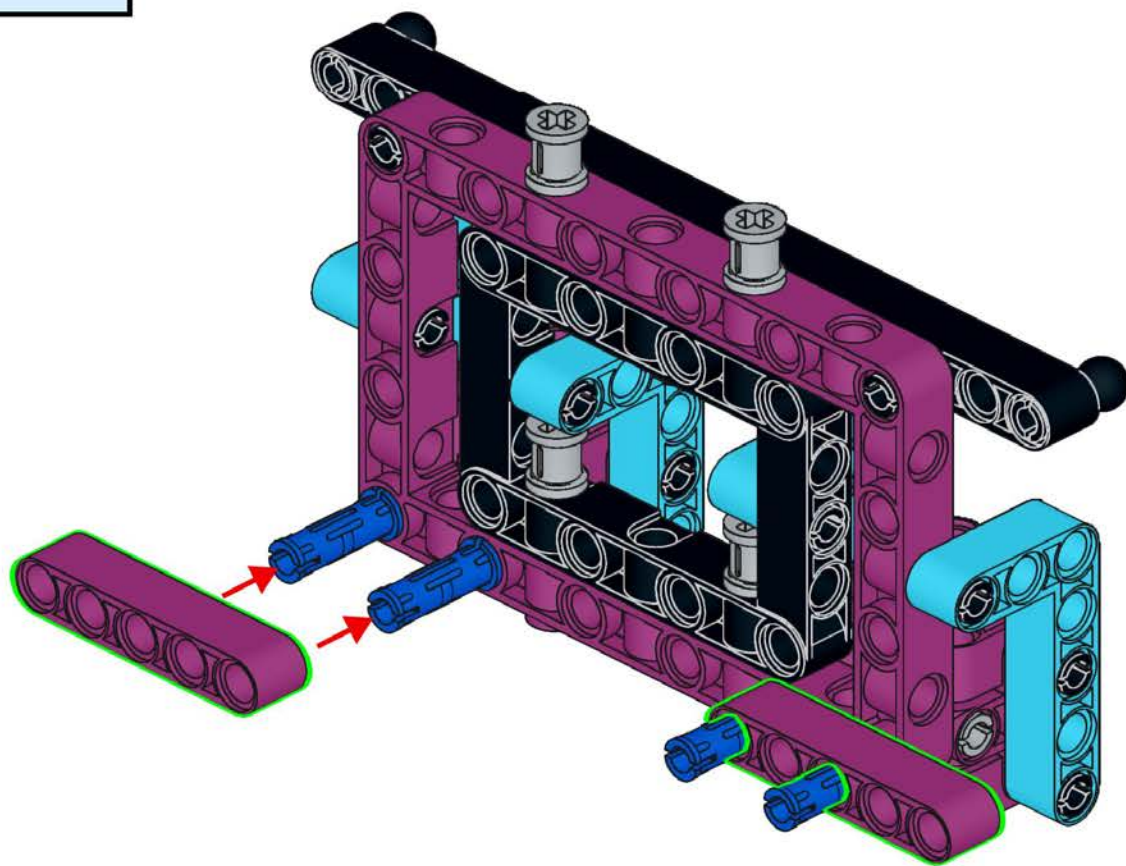
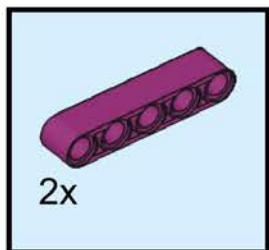
9



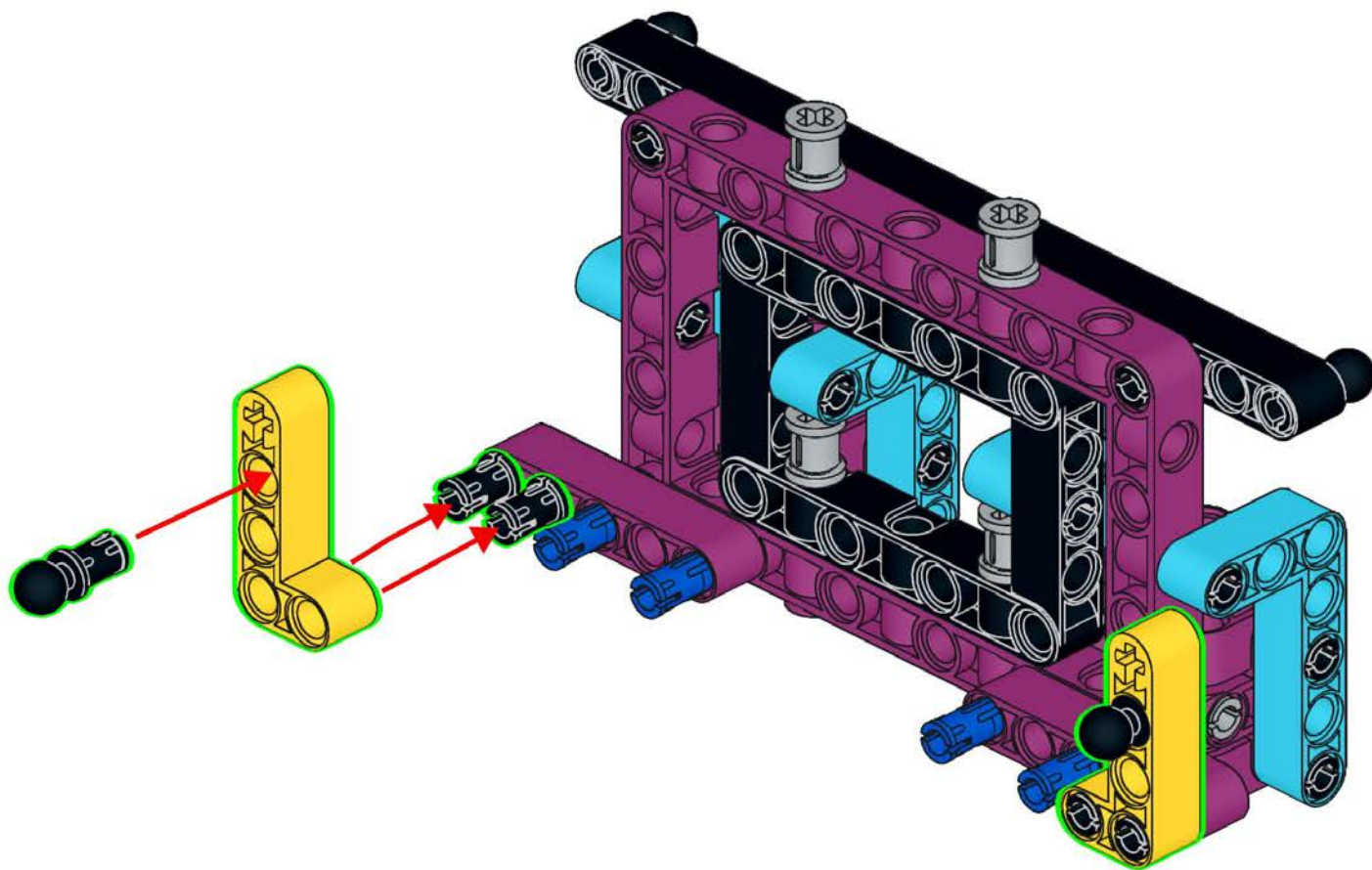
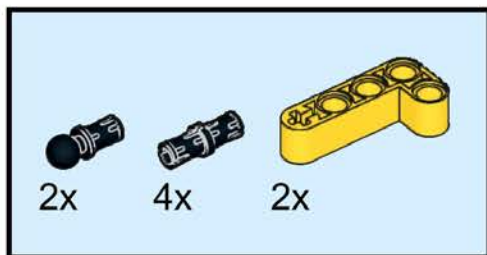
# 10



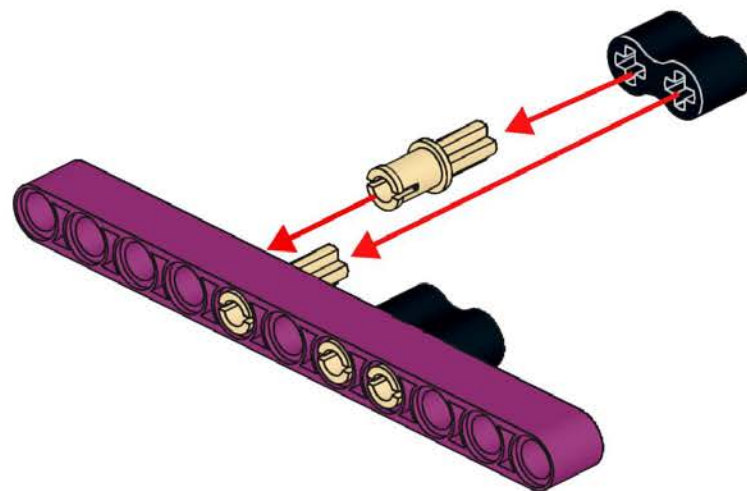
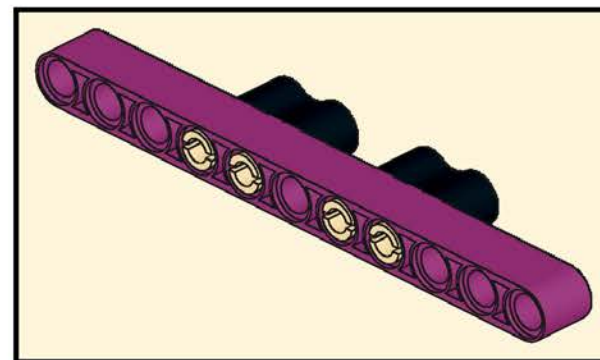
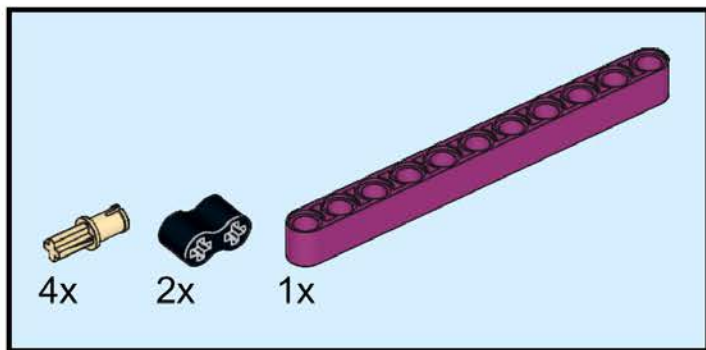
# 11



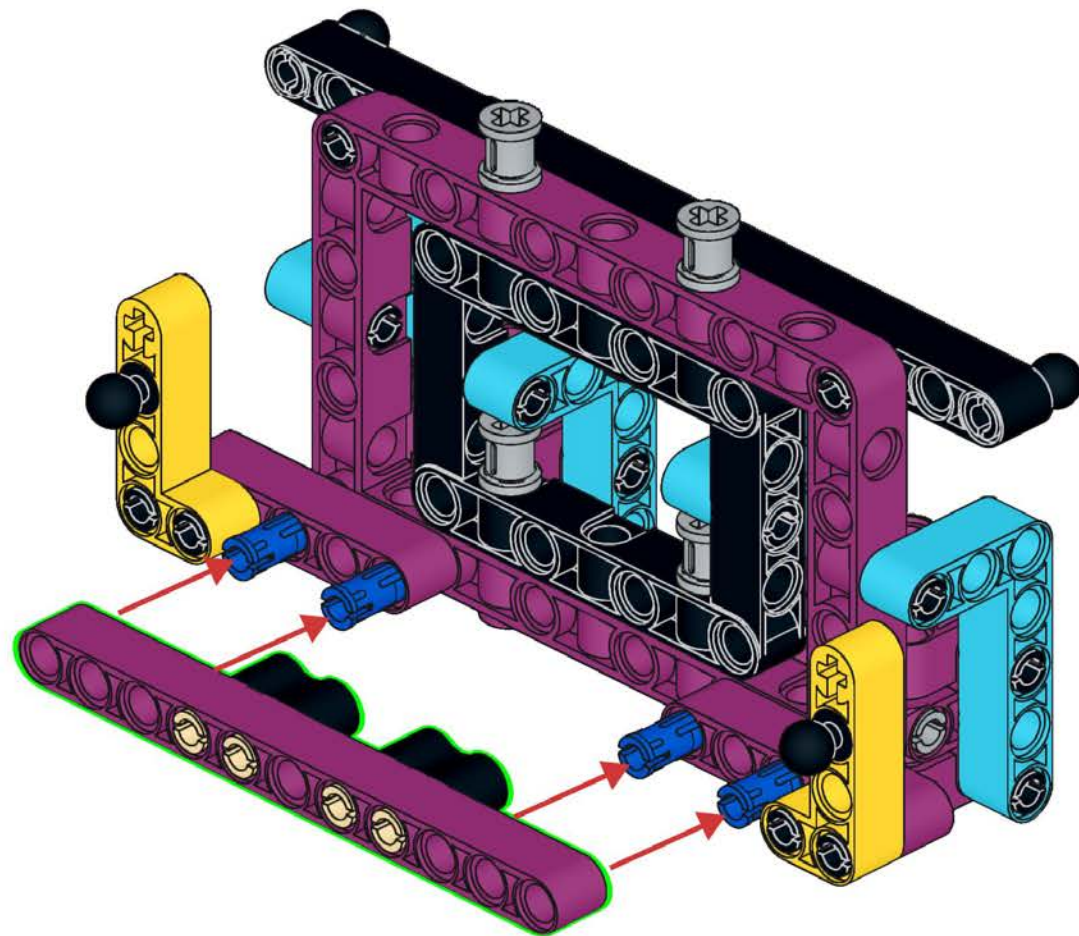
# 12



# 13

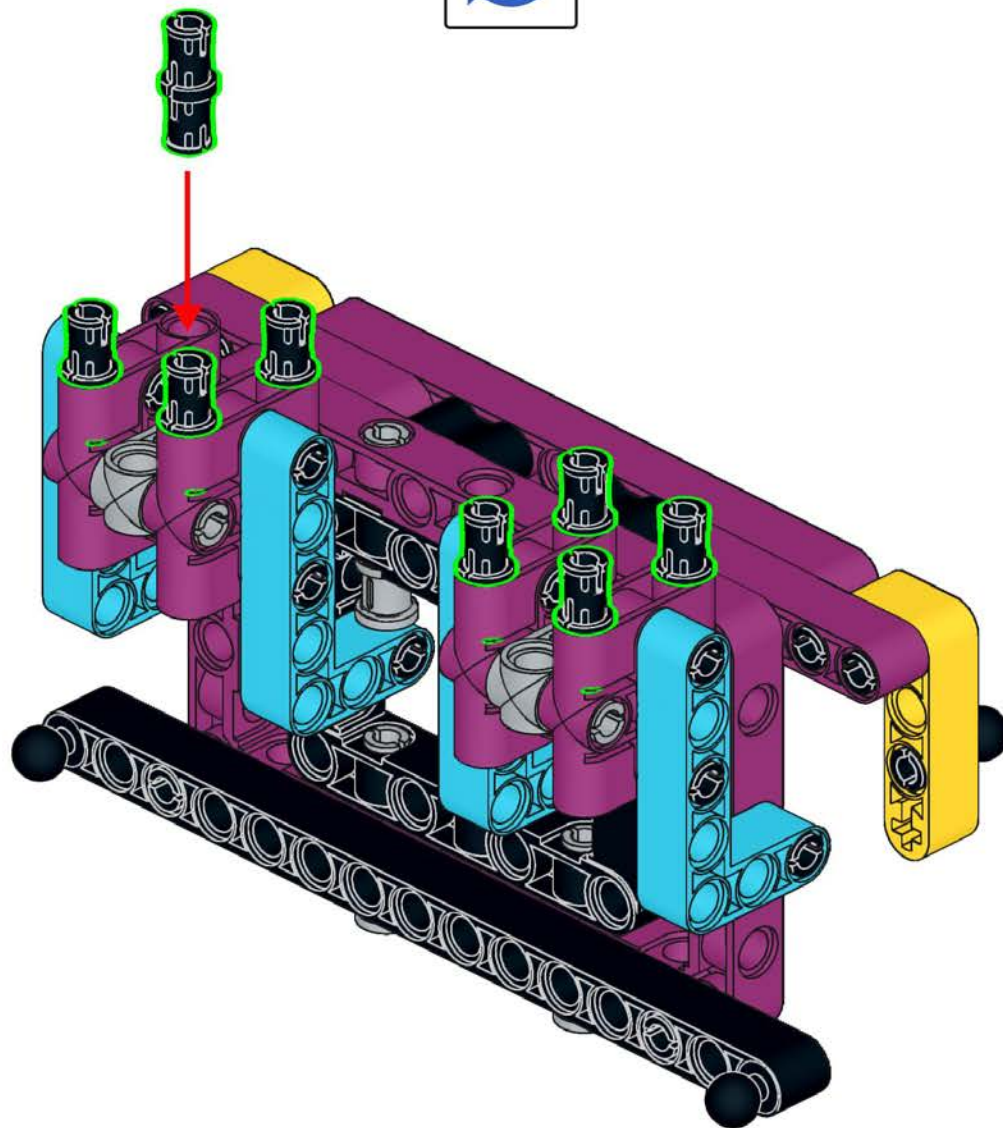
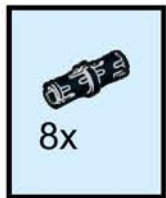


# 14

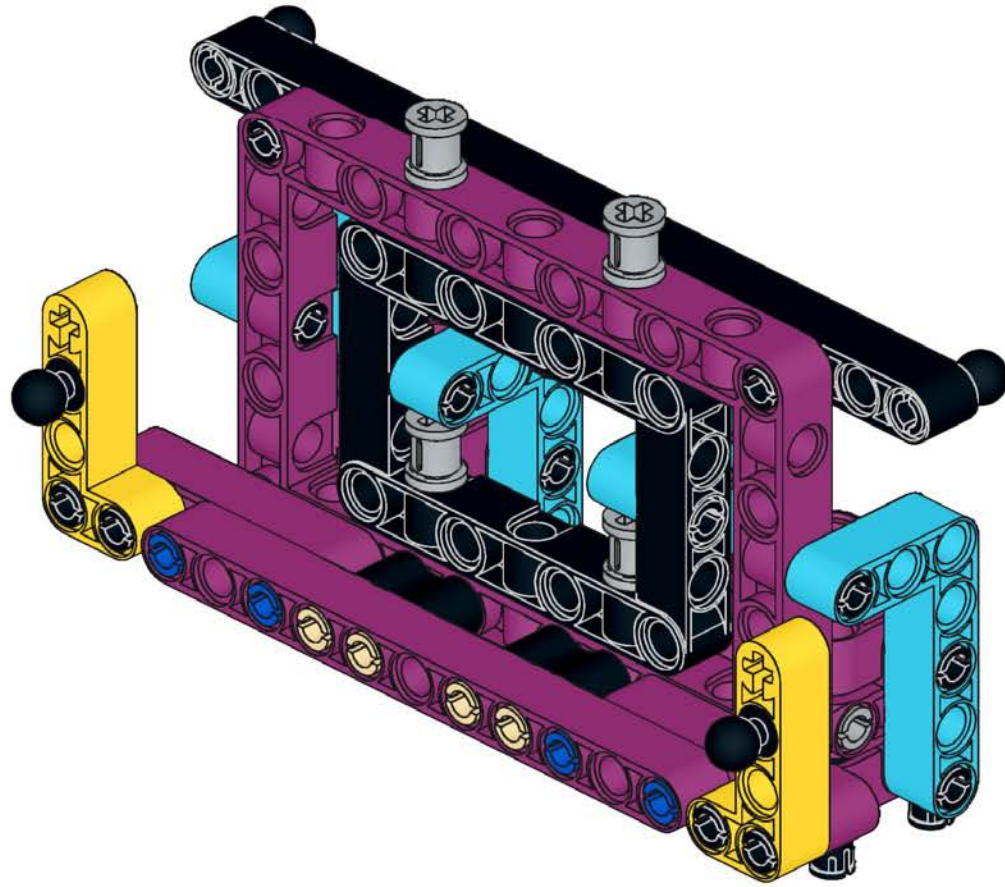




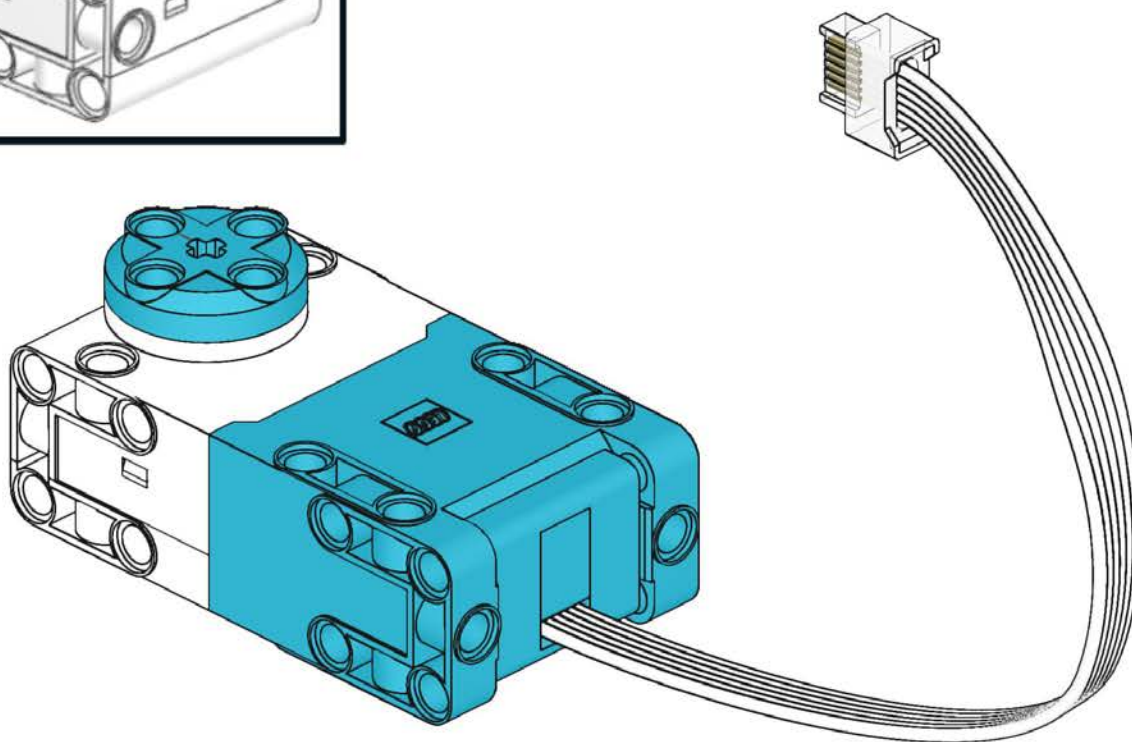
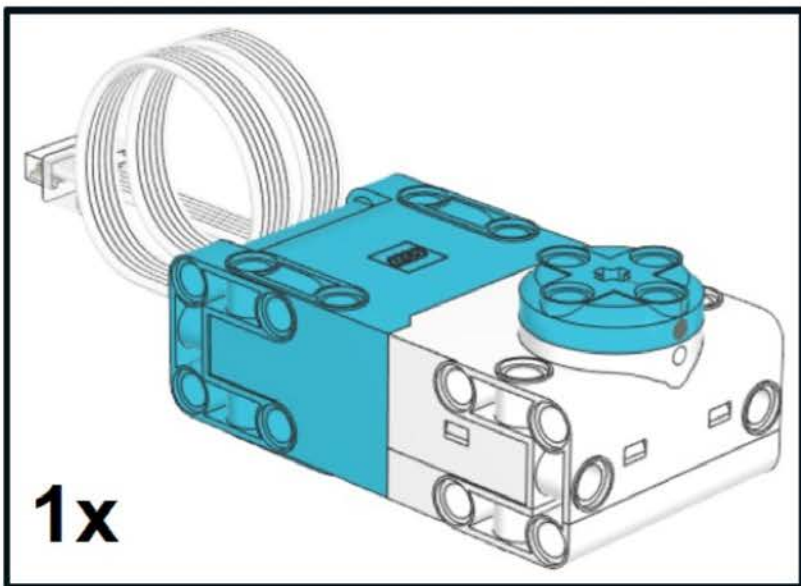
# 15



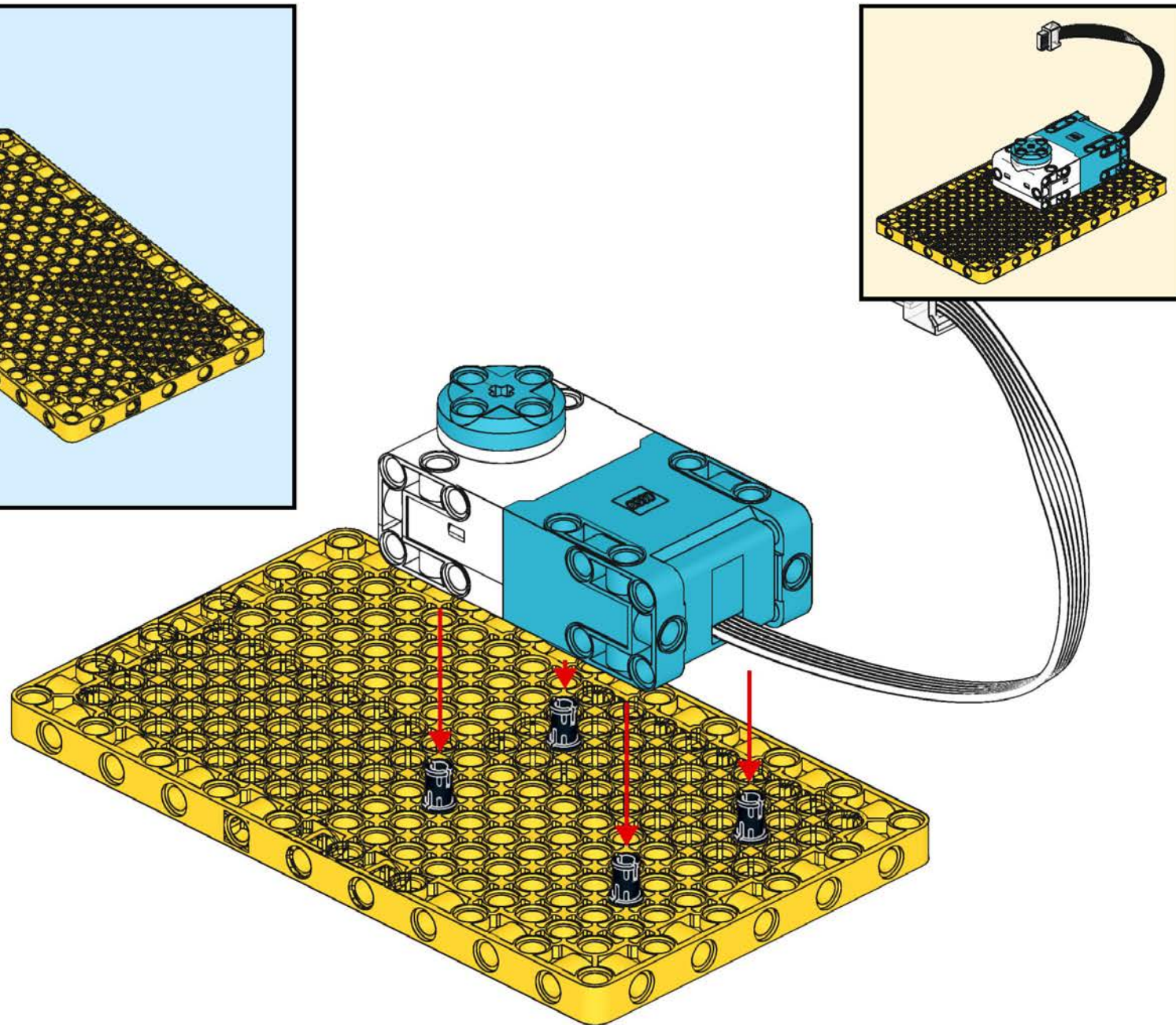
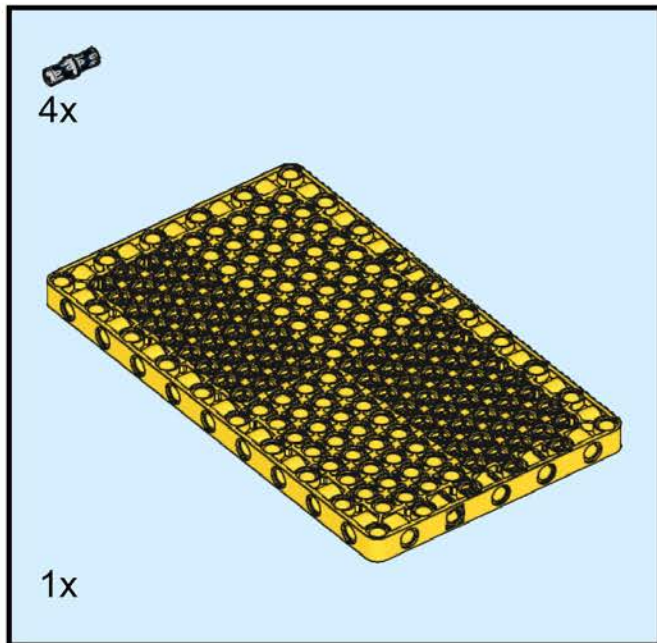
# 16



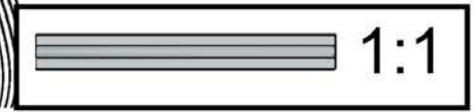
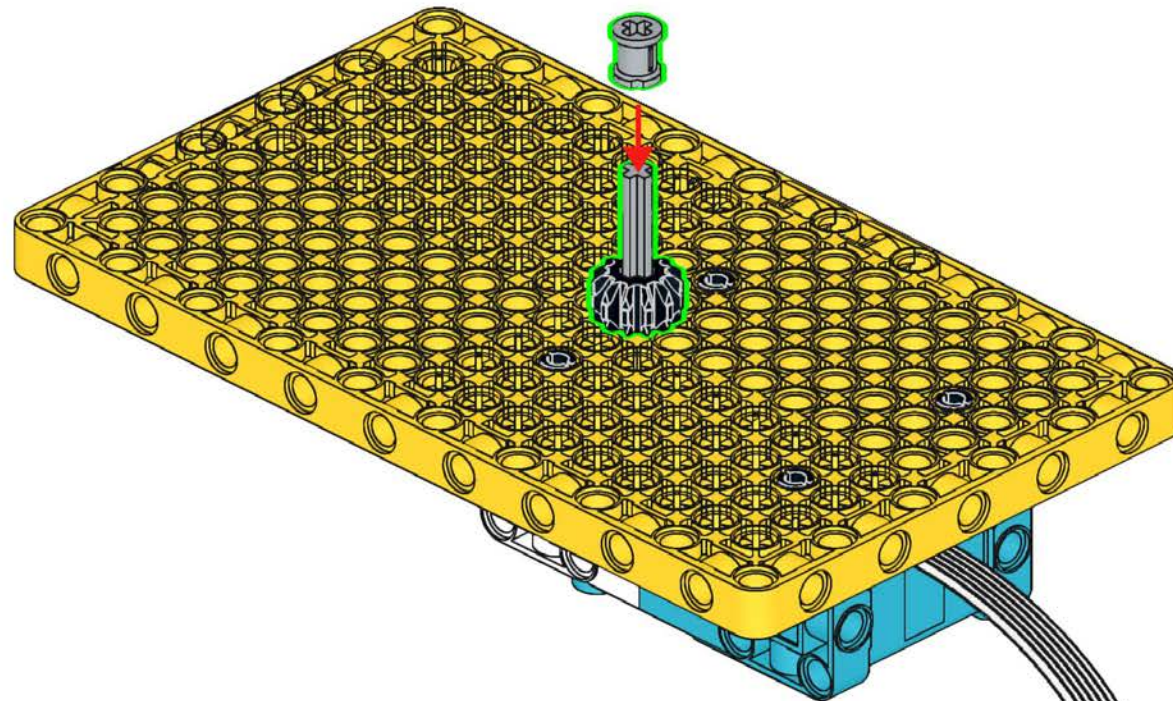
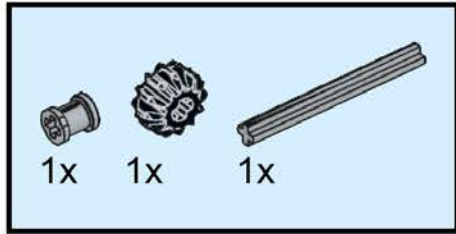
# 17



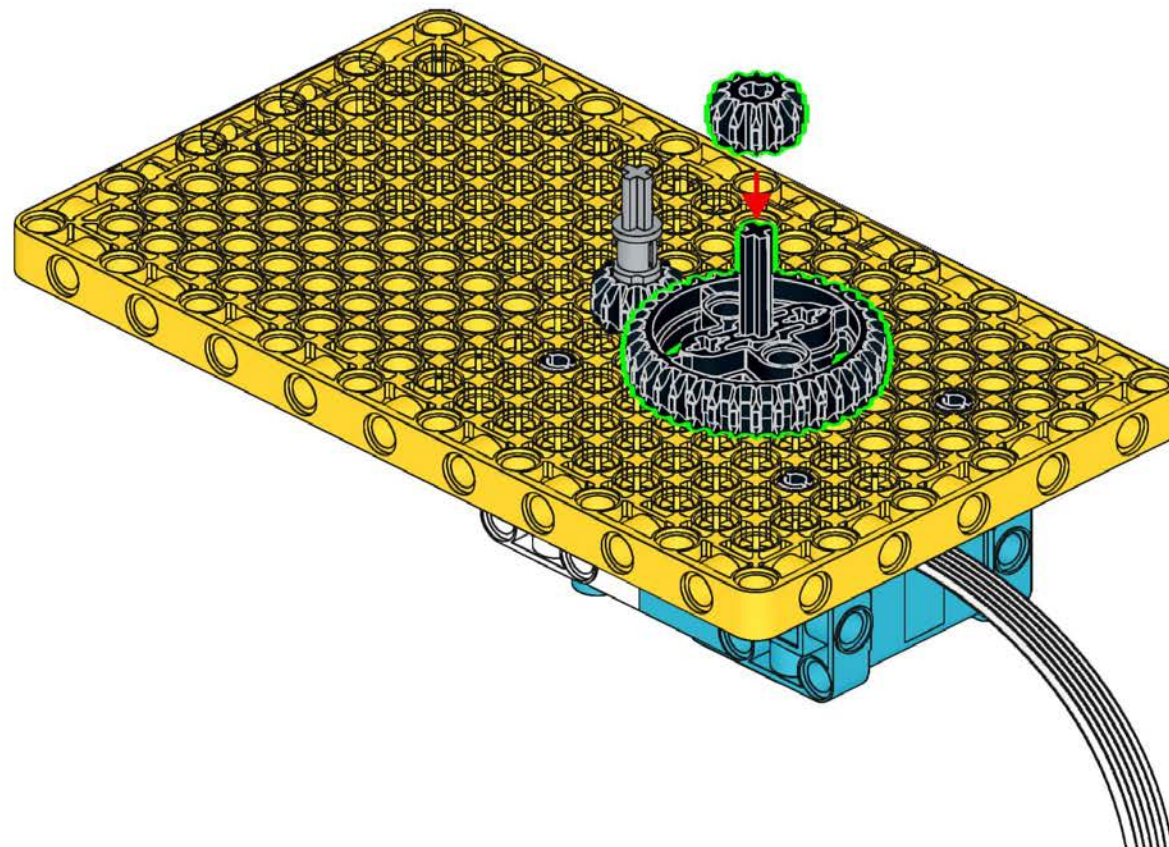
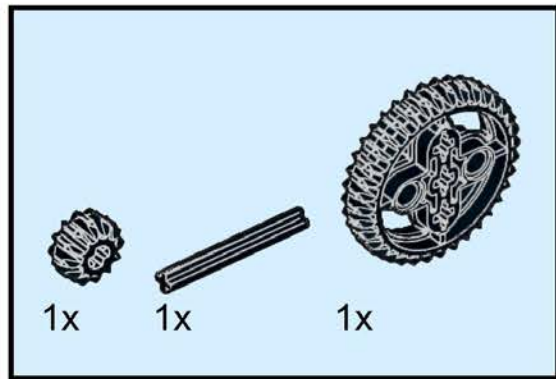
# 18



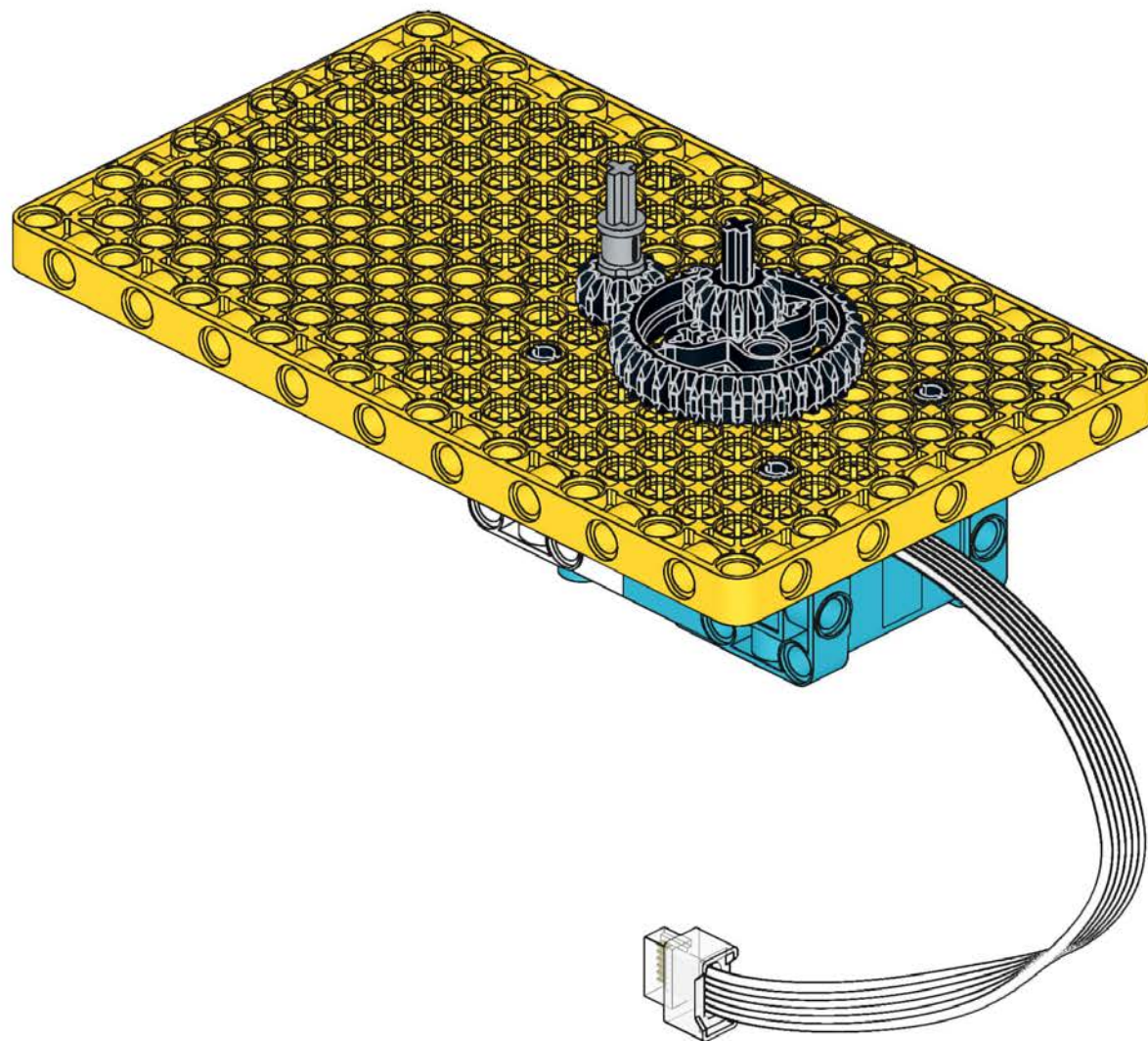
# 19



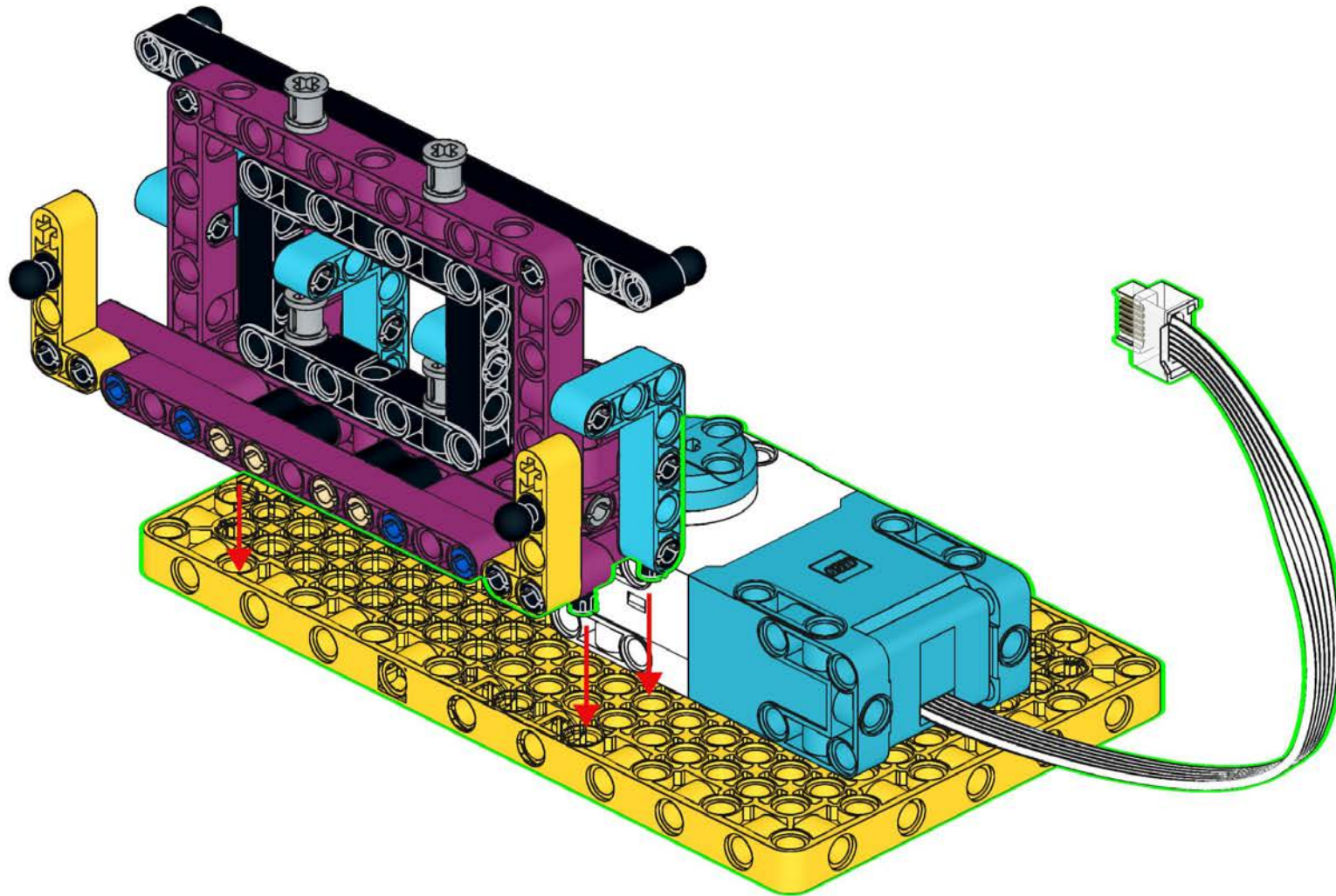
# 20



# 21

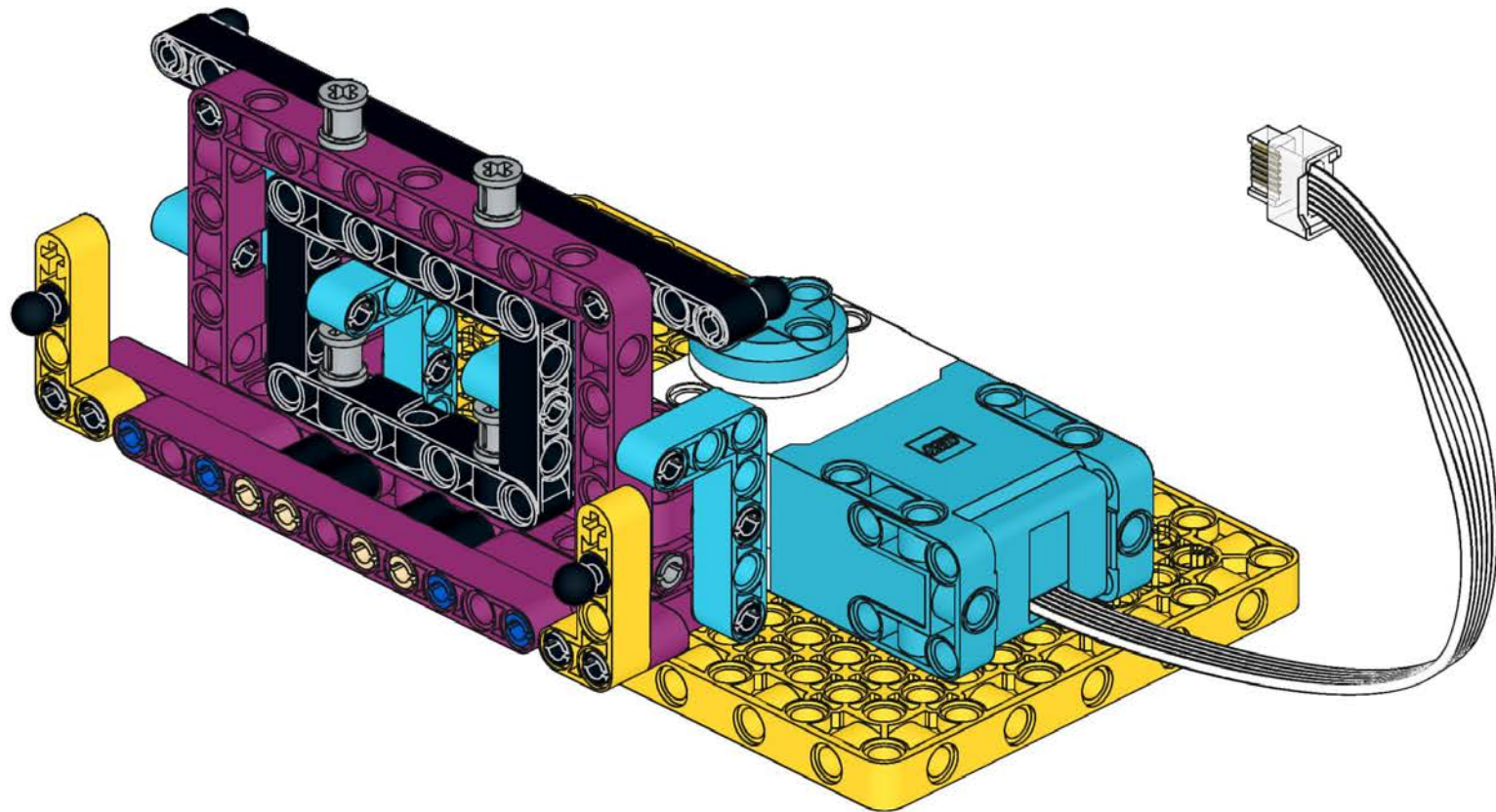


# 22

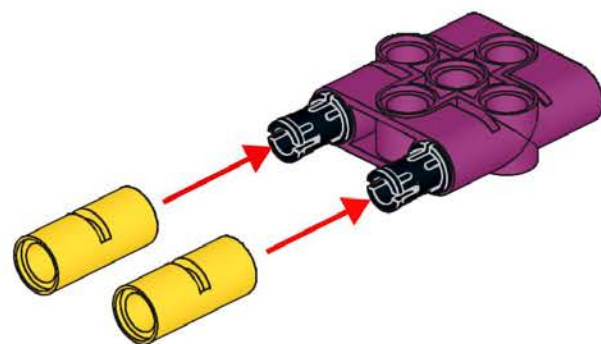
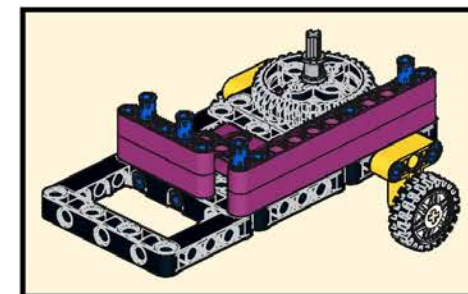
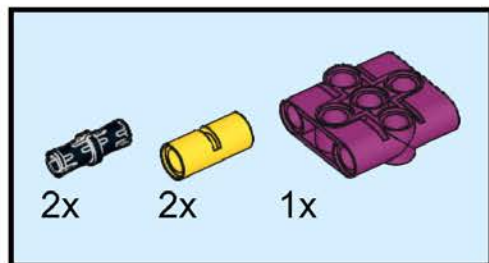




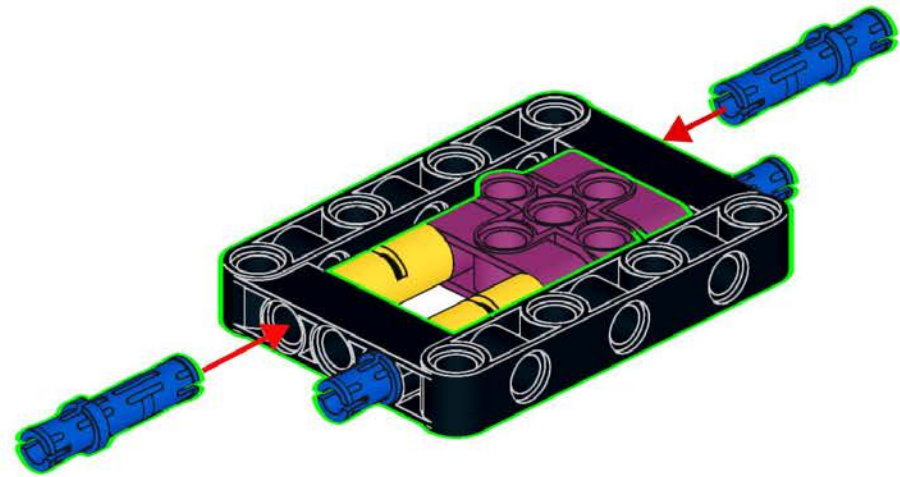
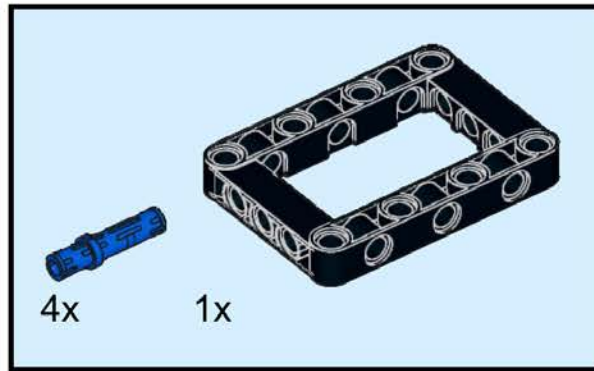
# 23



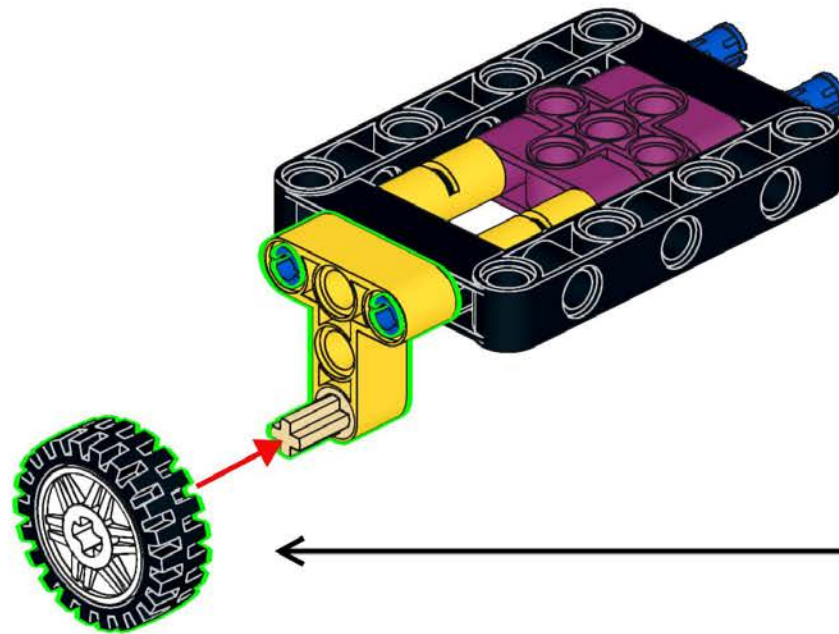
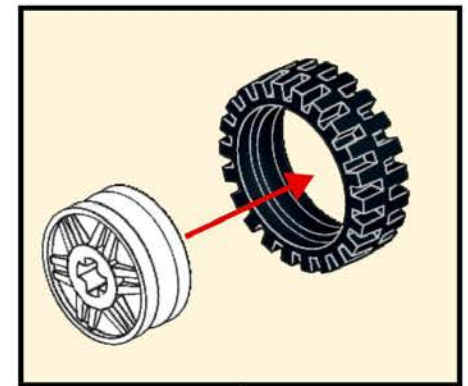
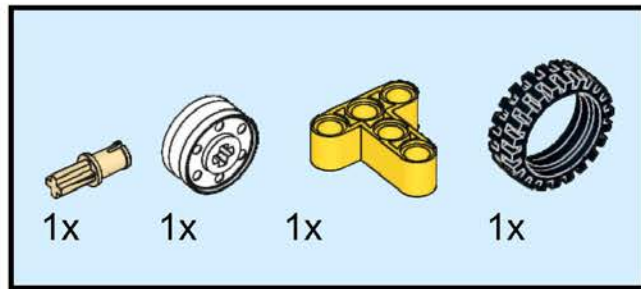
# 24



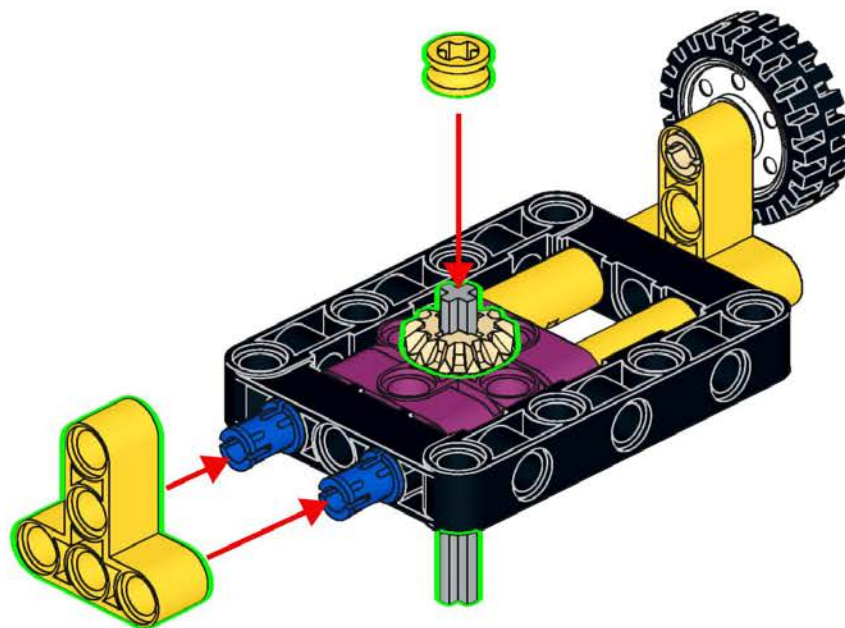
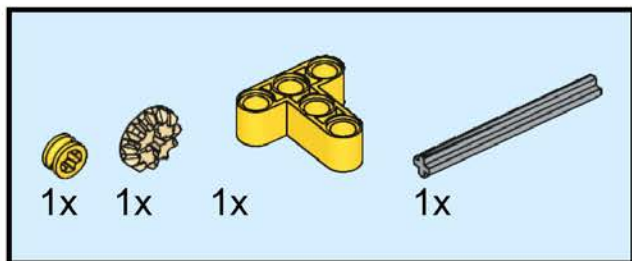
# 25



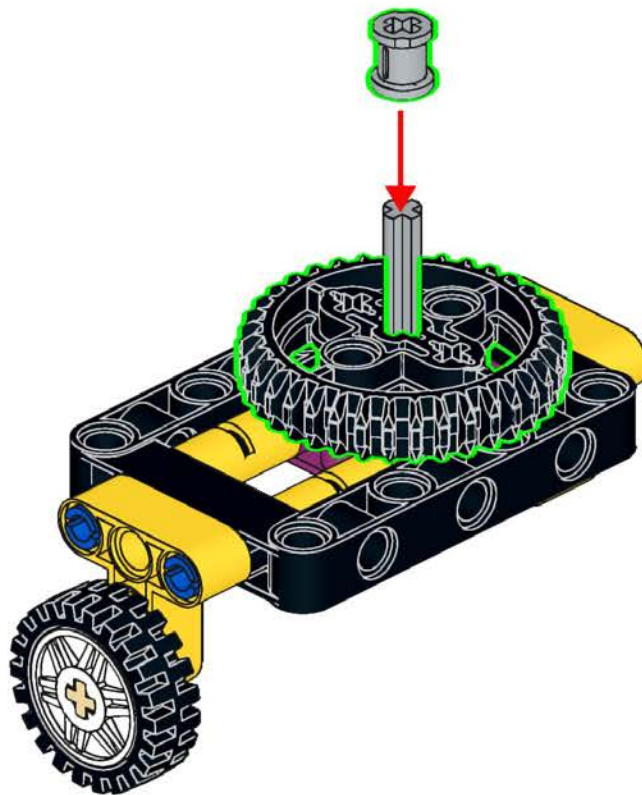
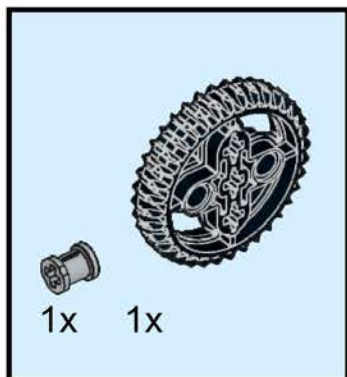
# 26



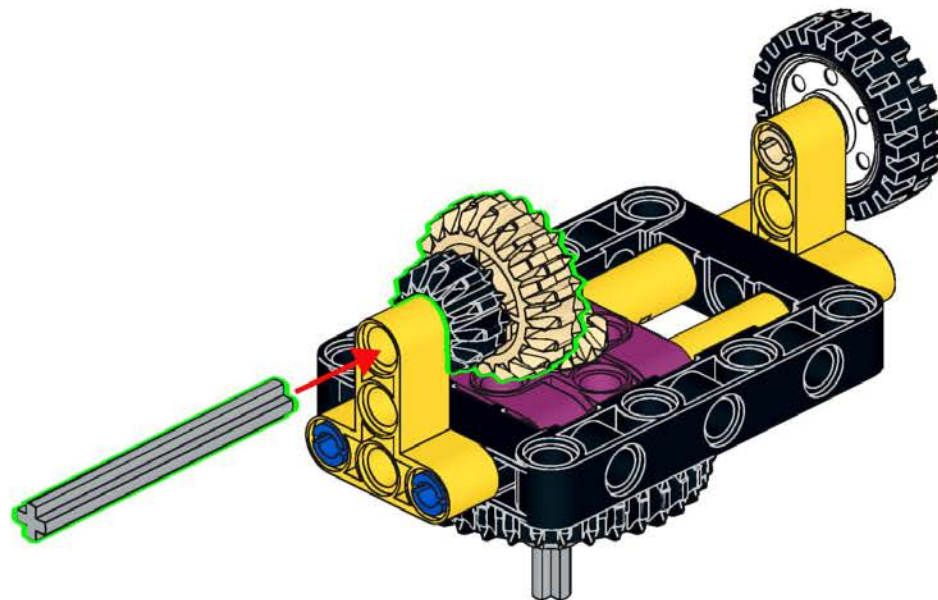
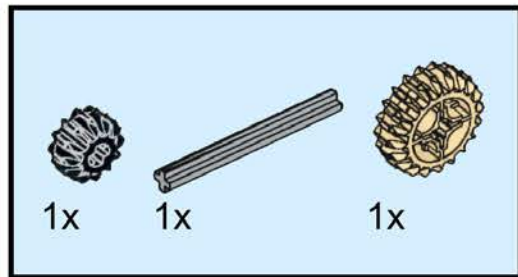
# 27



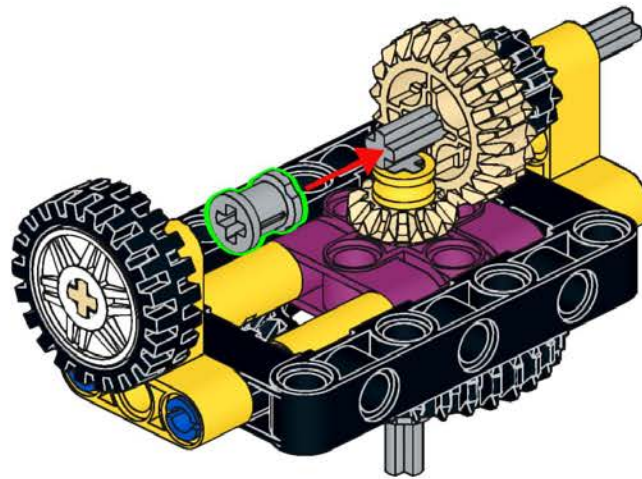
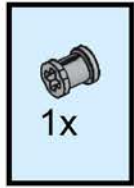
# 28



# 29

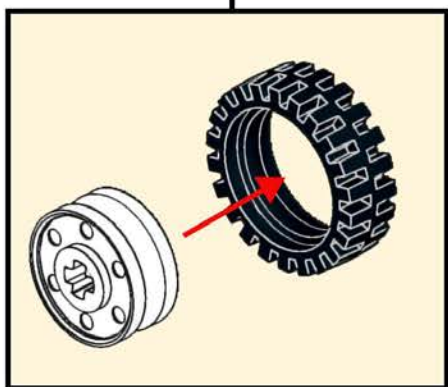
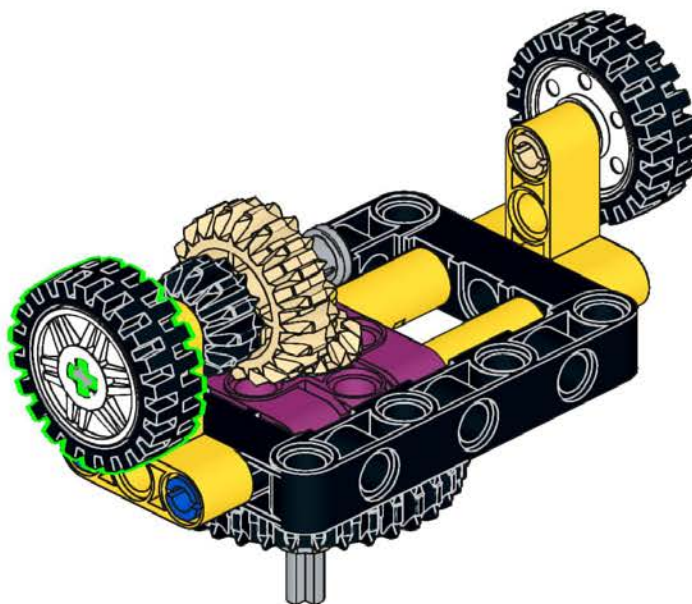
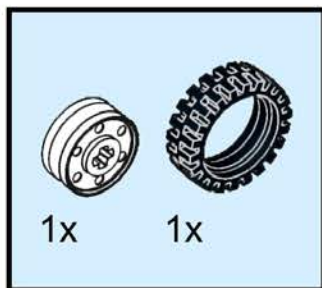


# 30

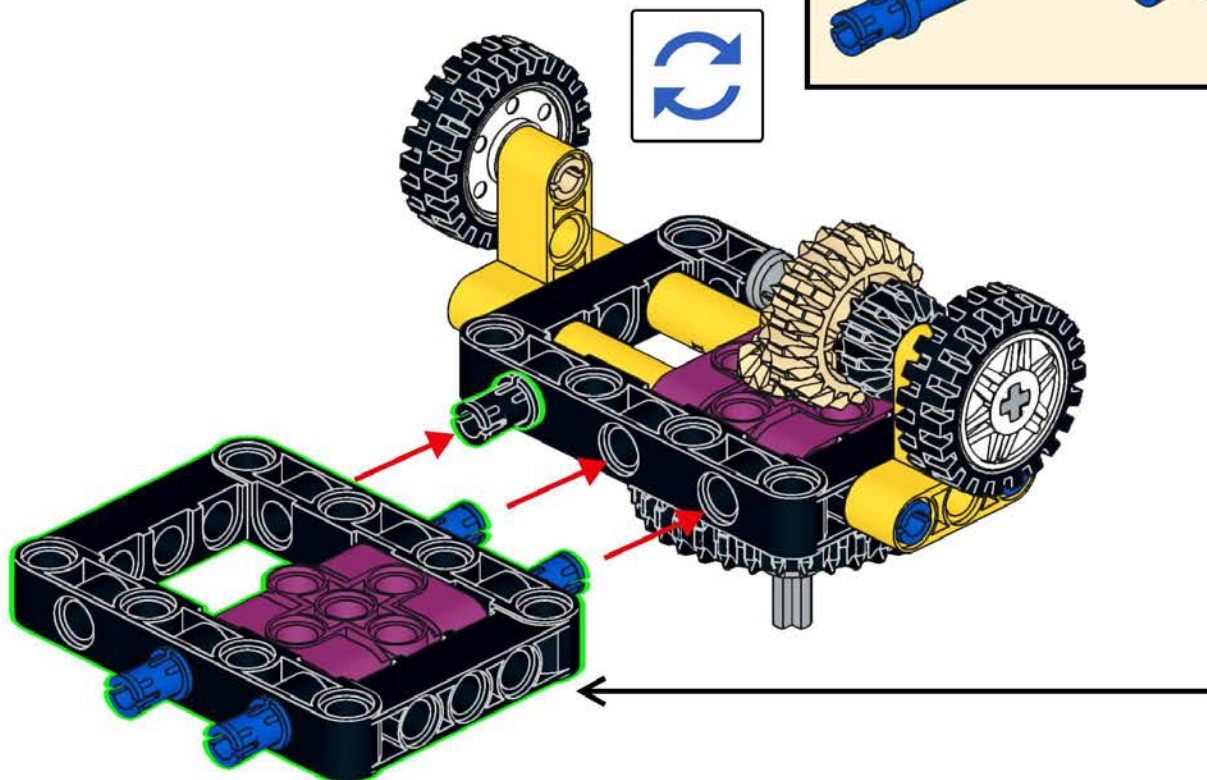
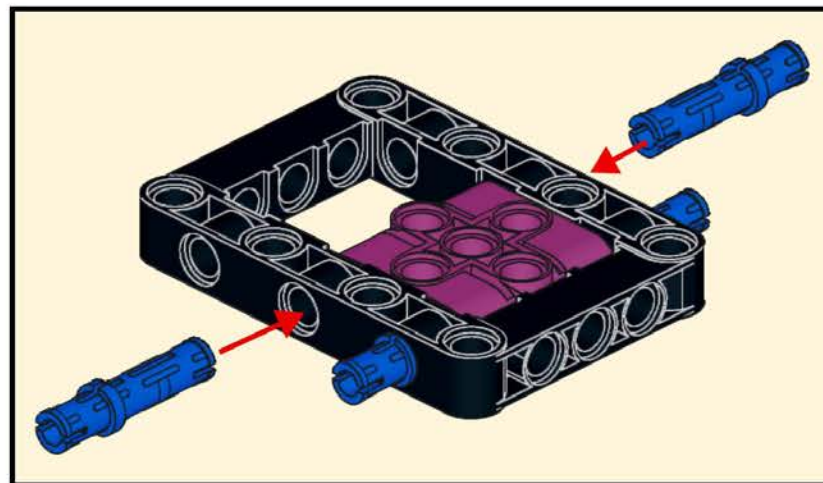
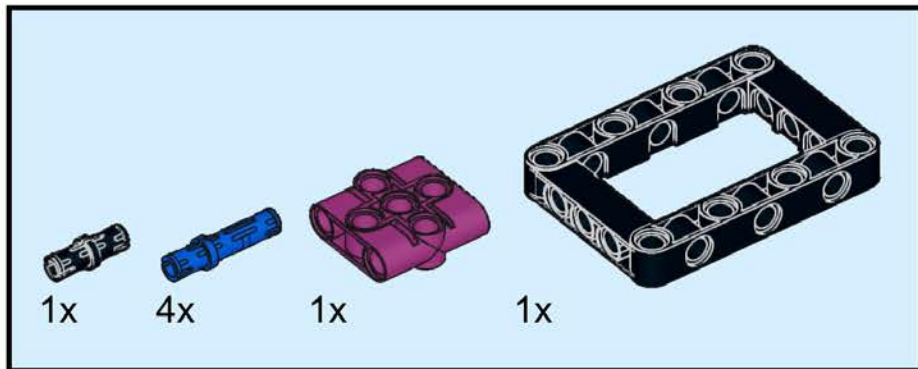




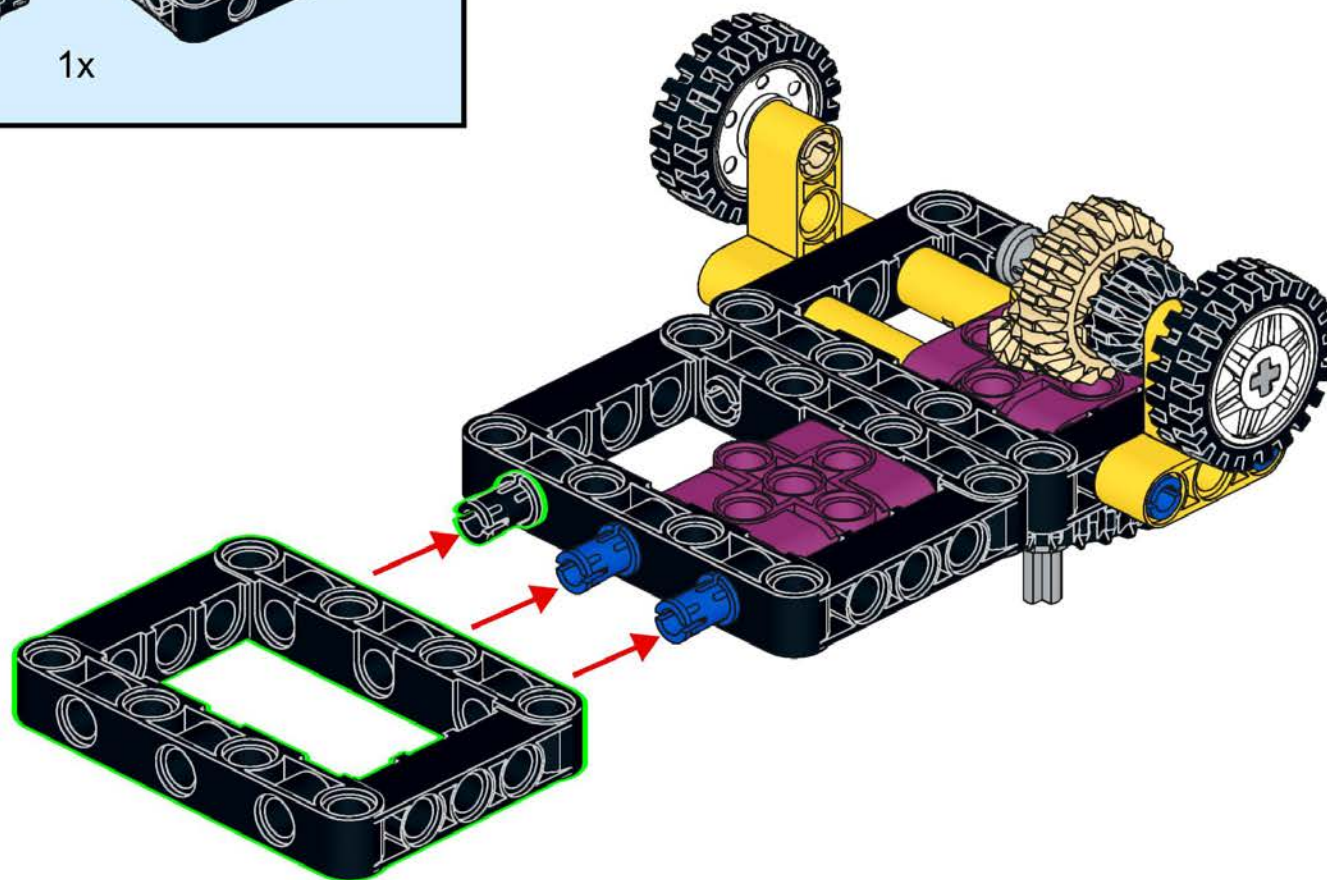
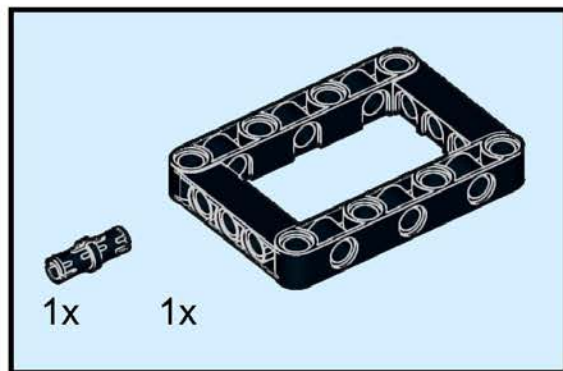
# 31



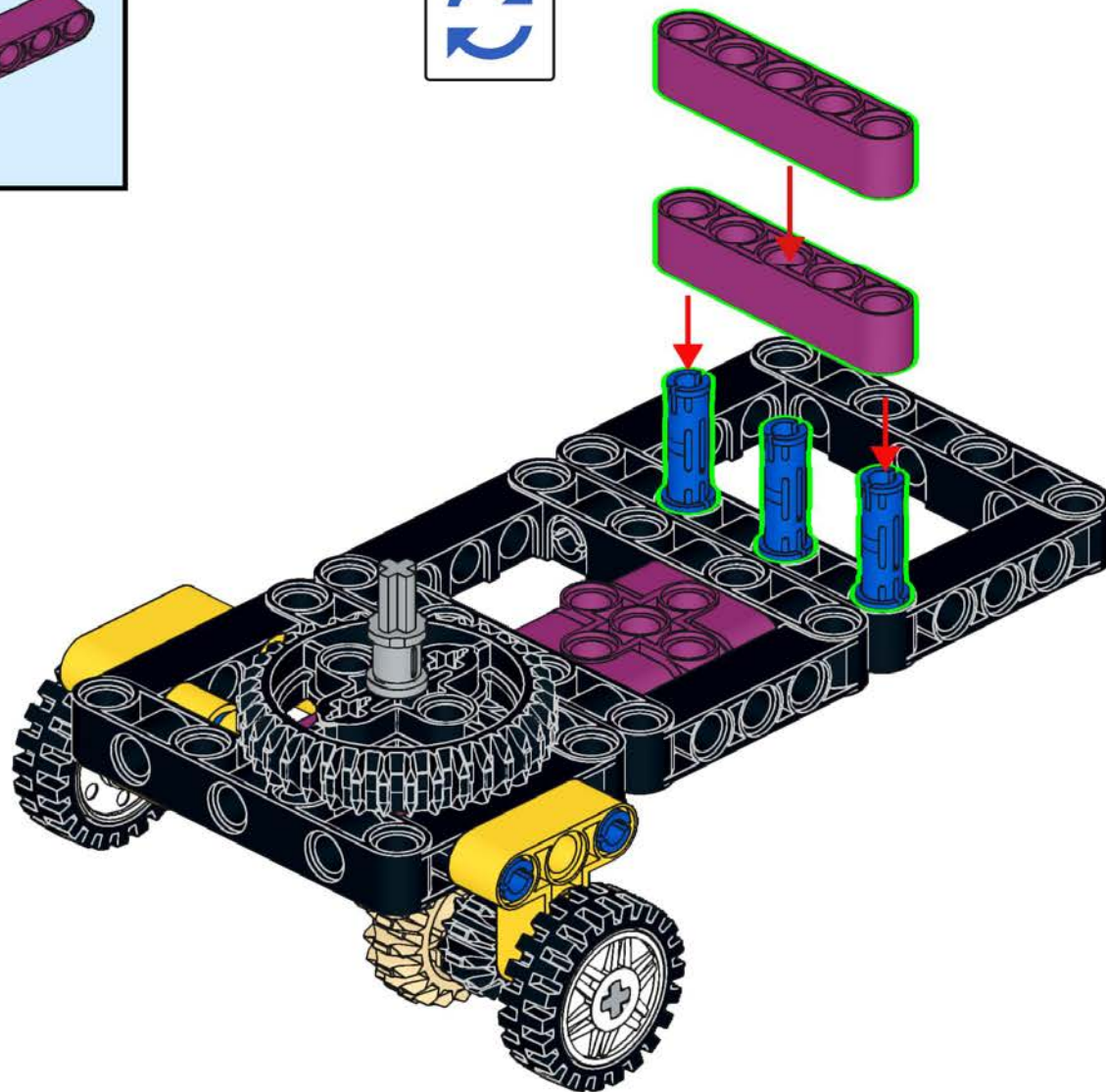
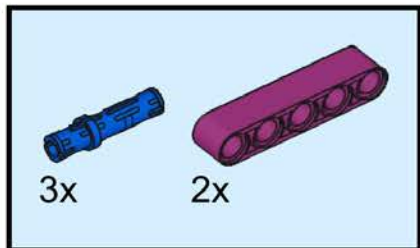
# 32



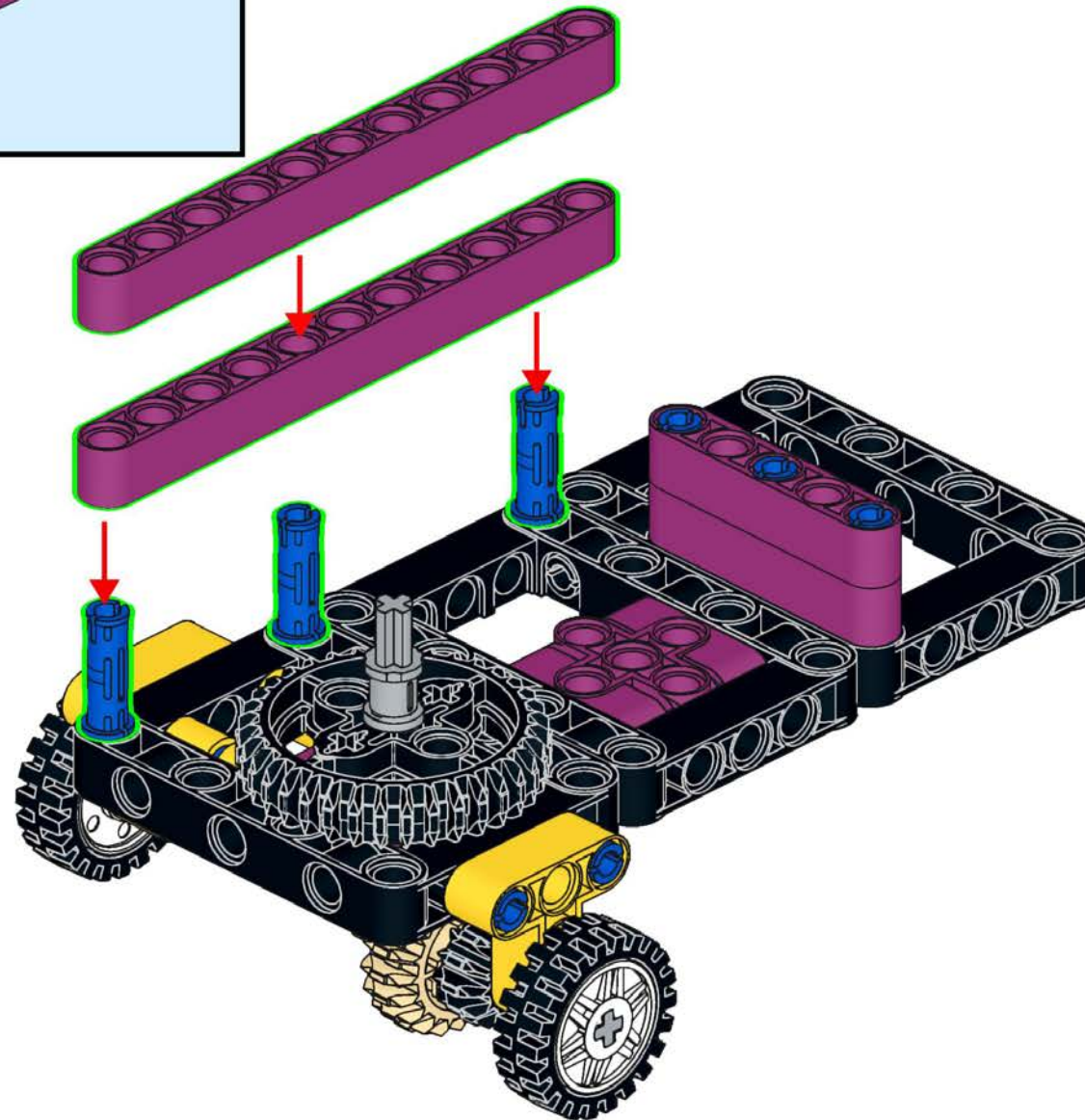
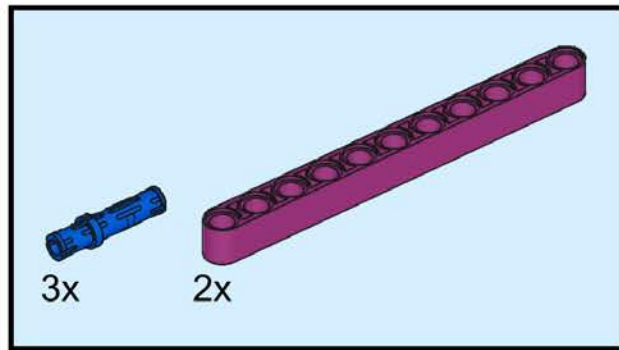
# 33



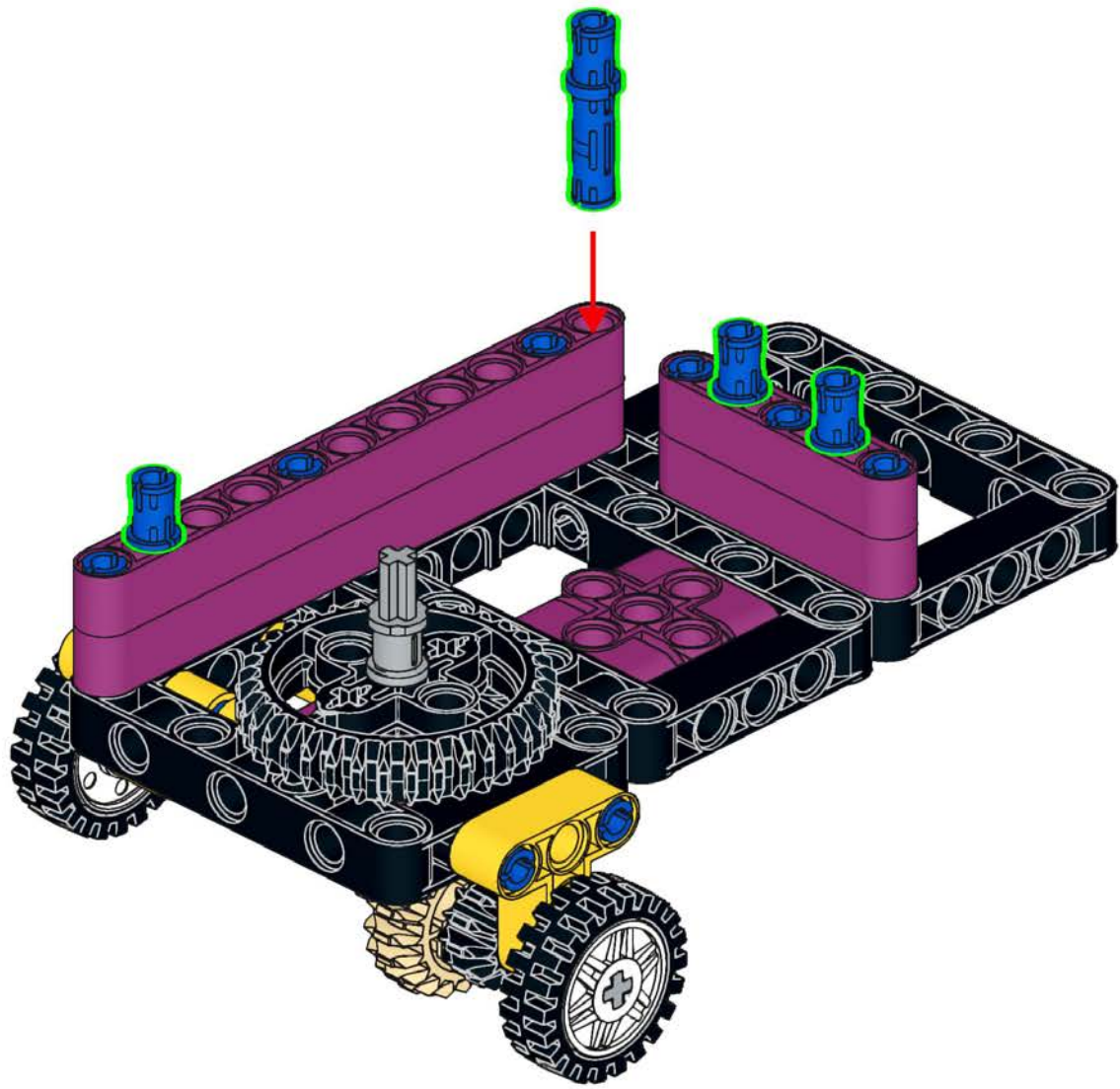
# 34



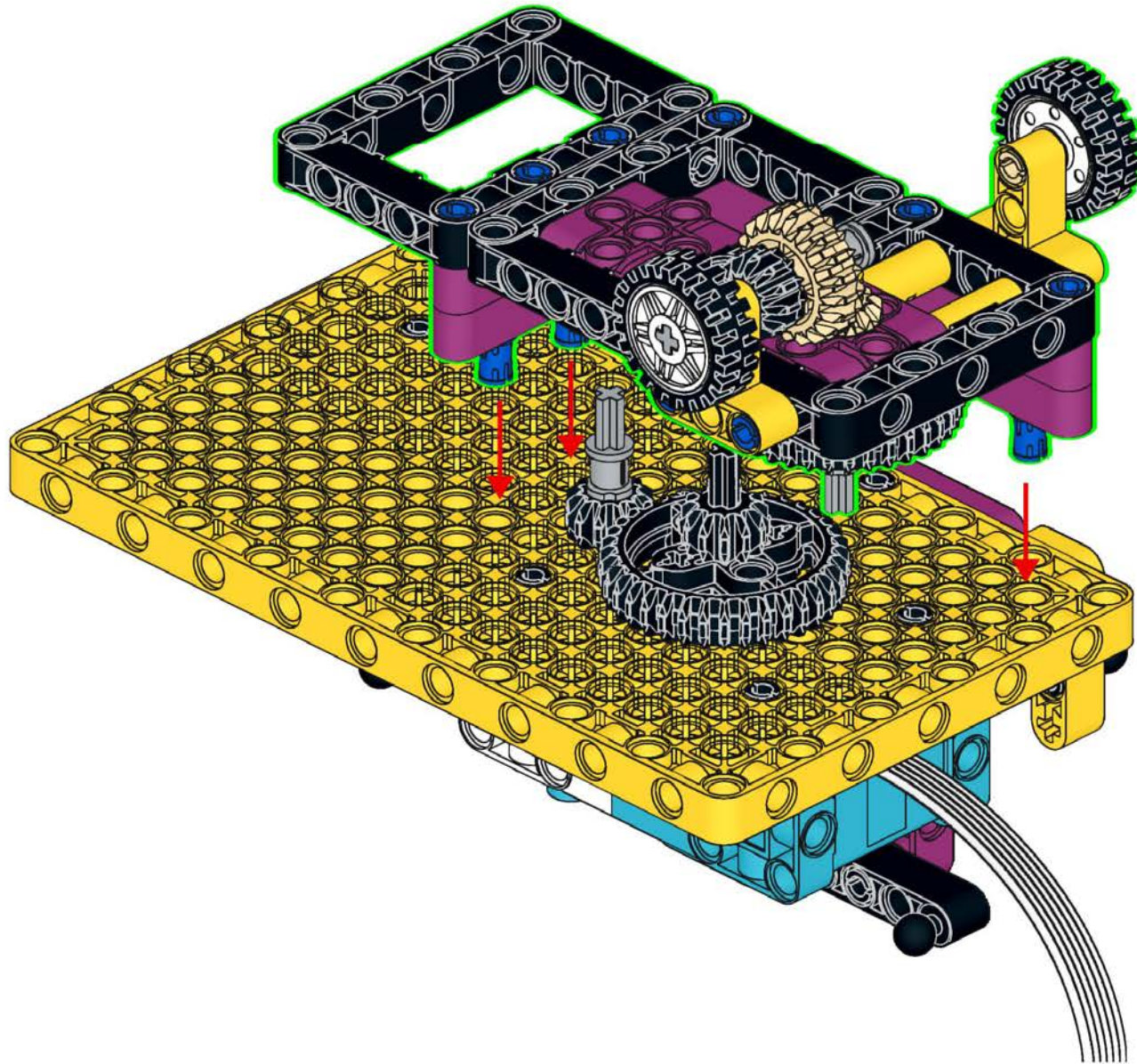
# 35



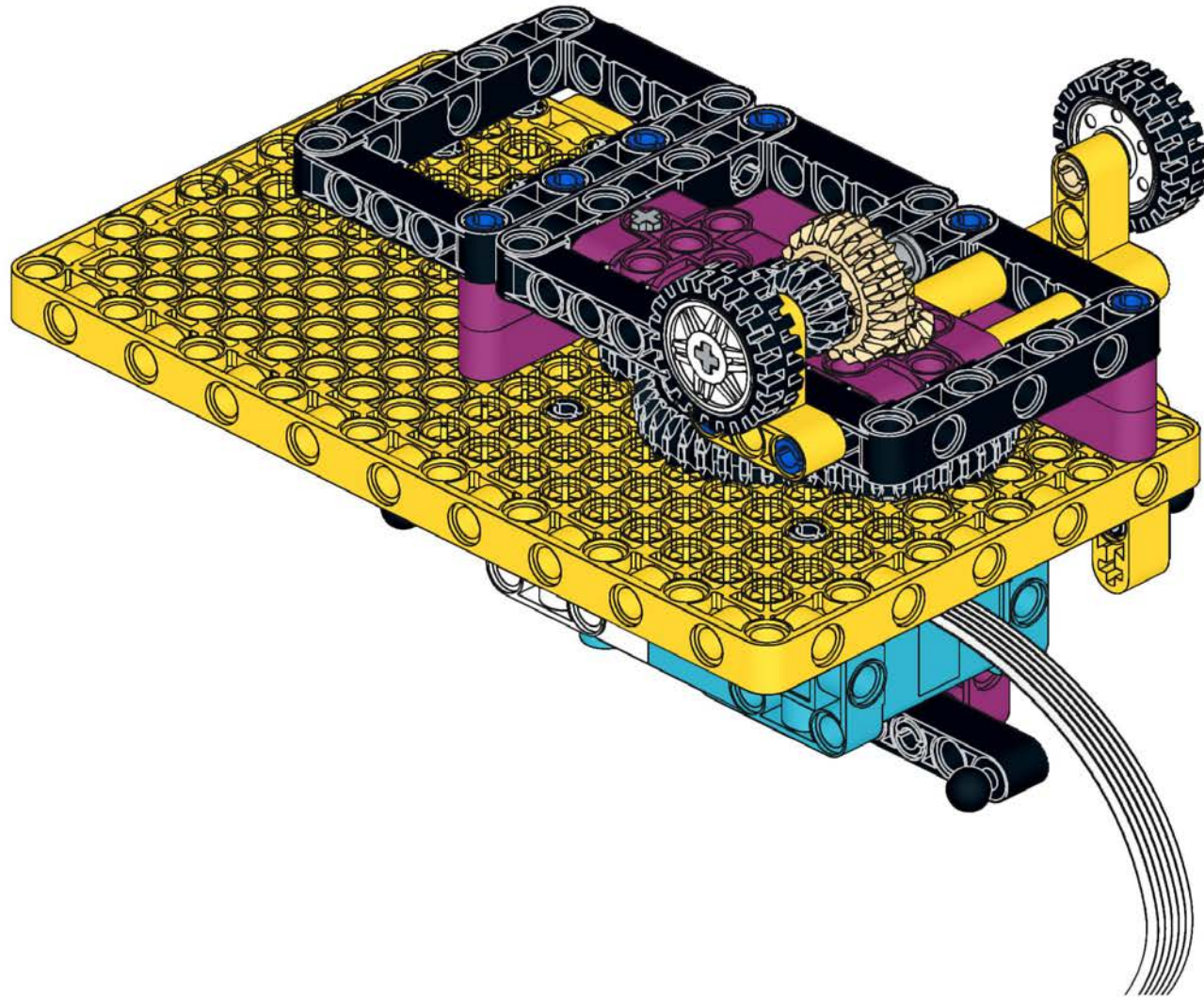
# 36



# 37

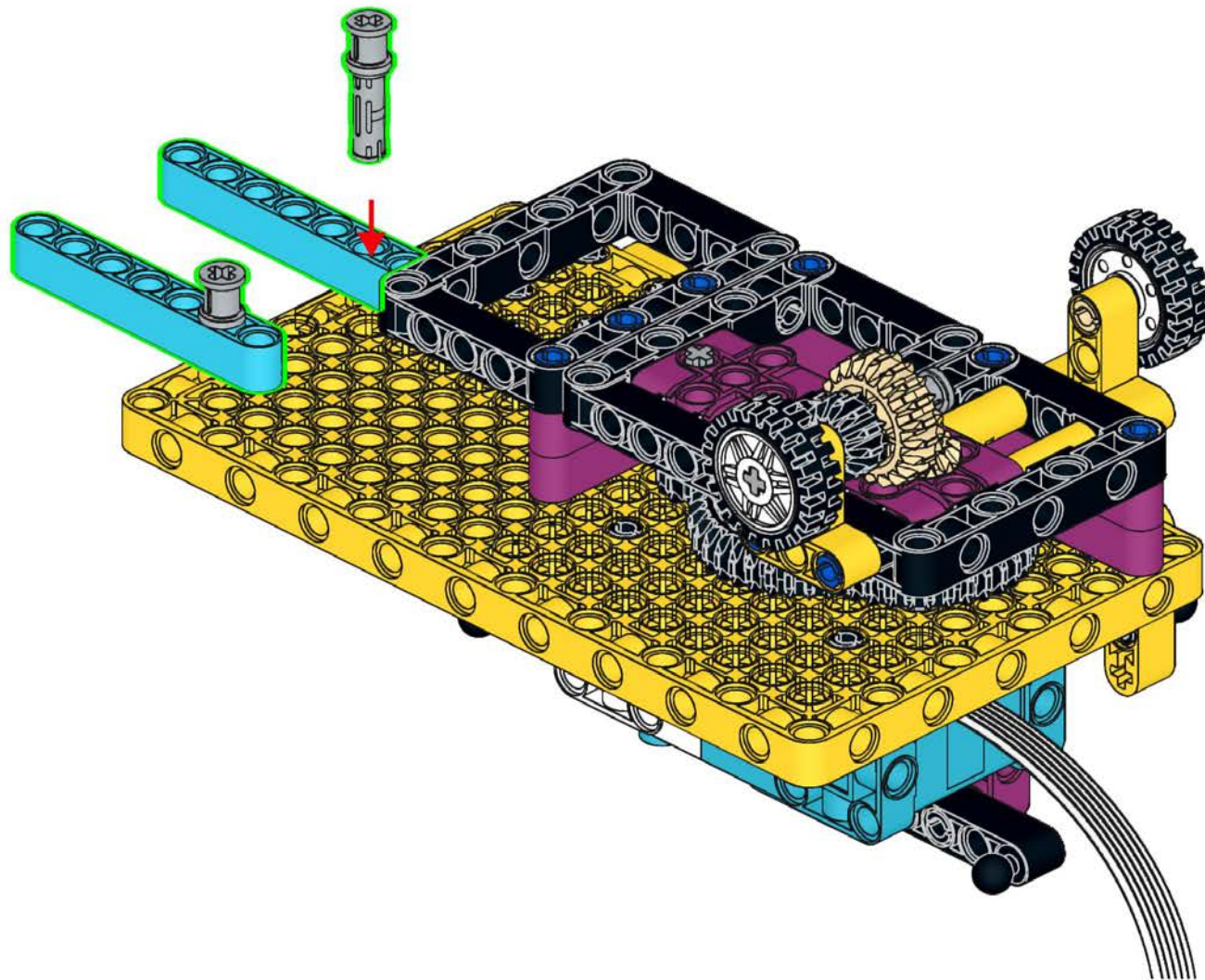
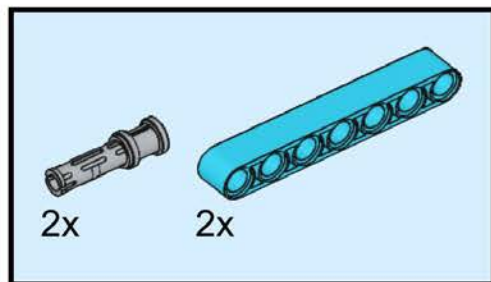


# 38

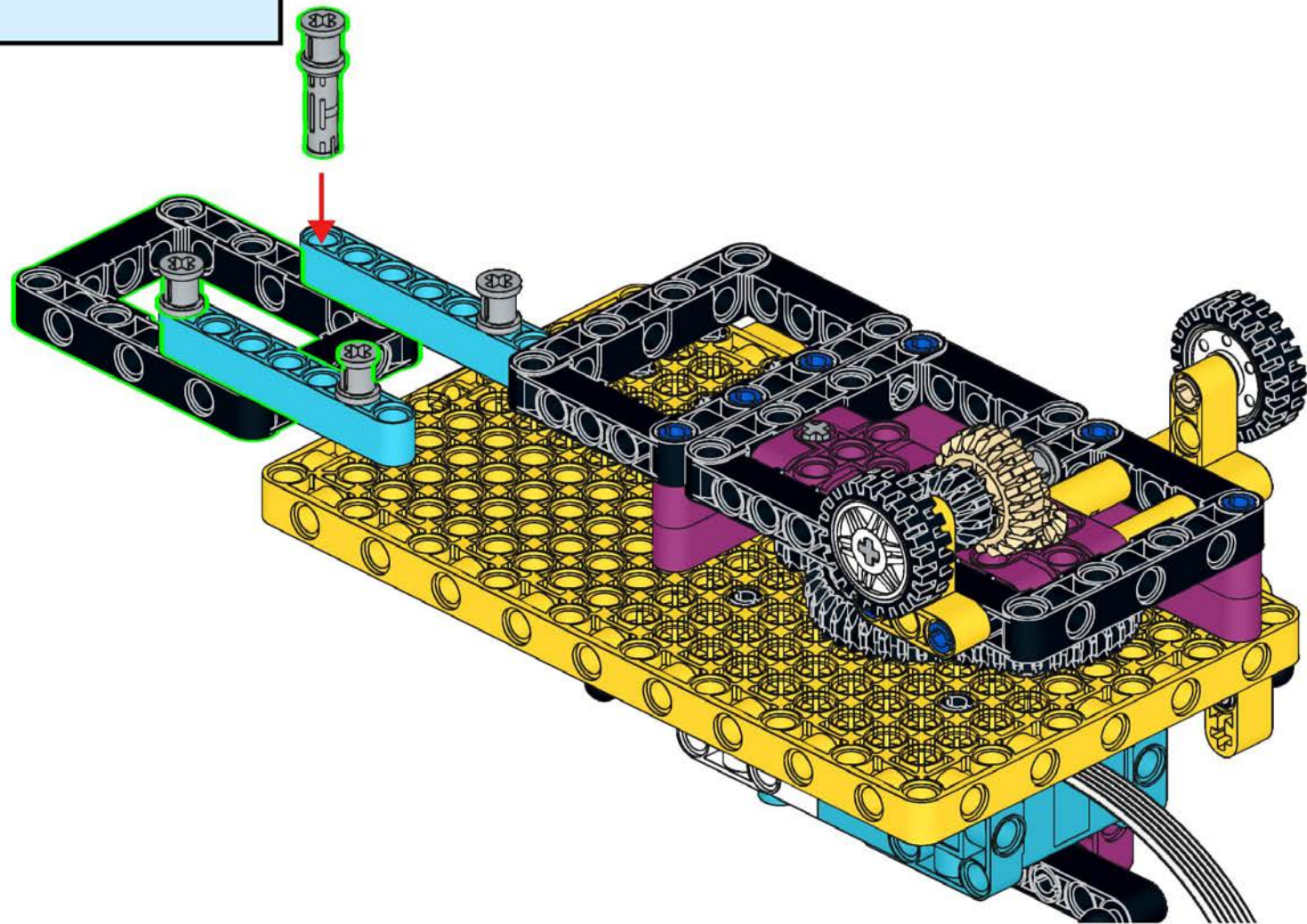
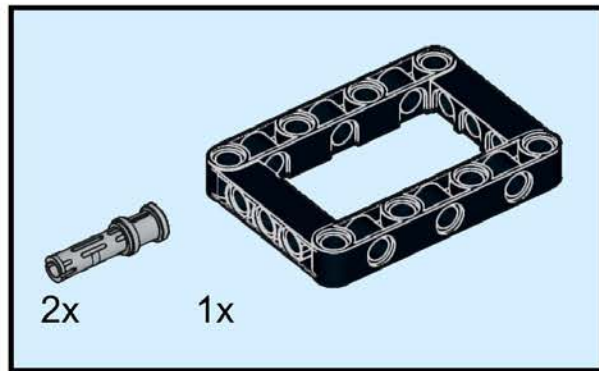




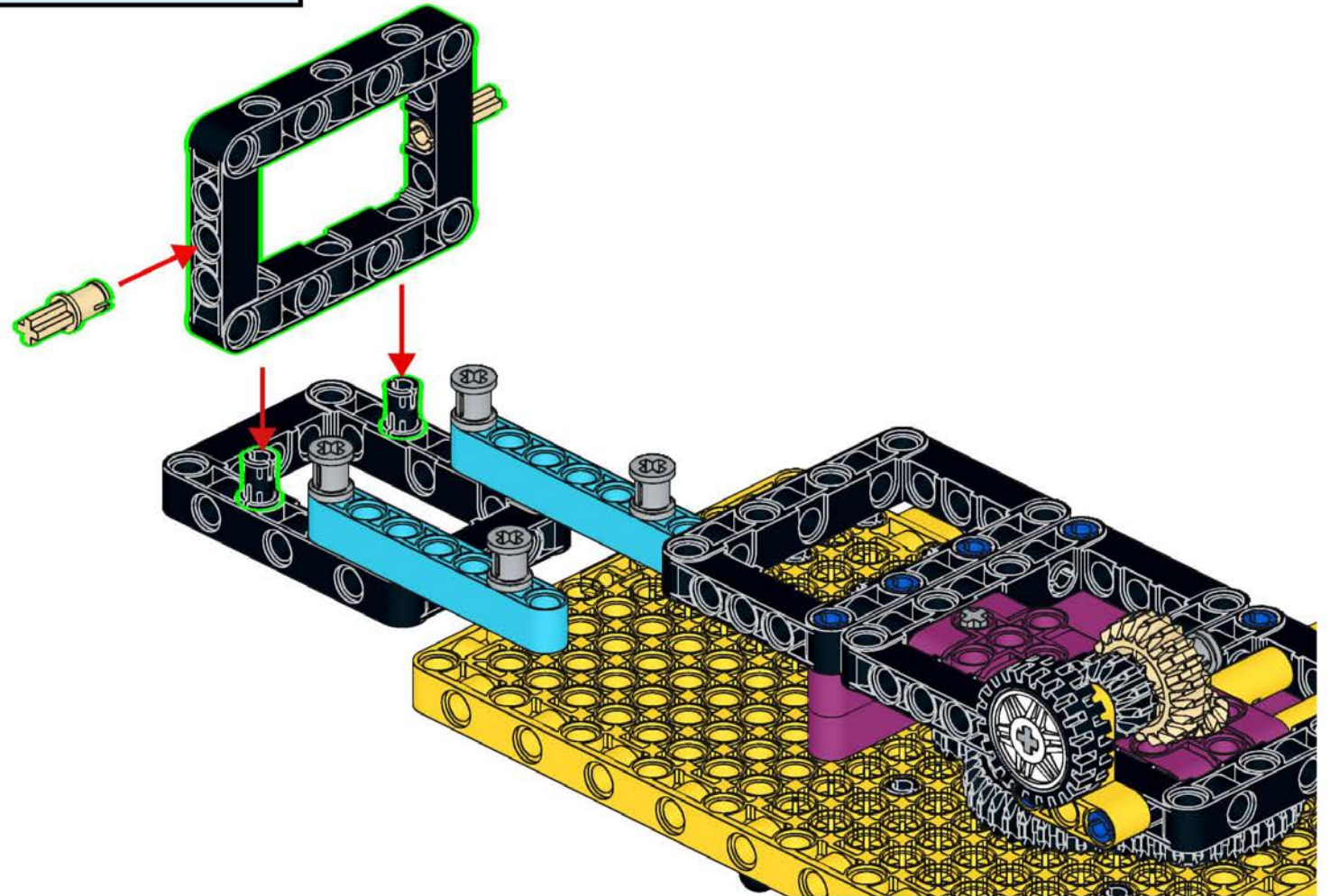
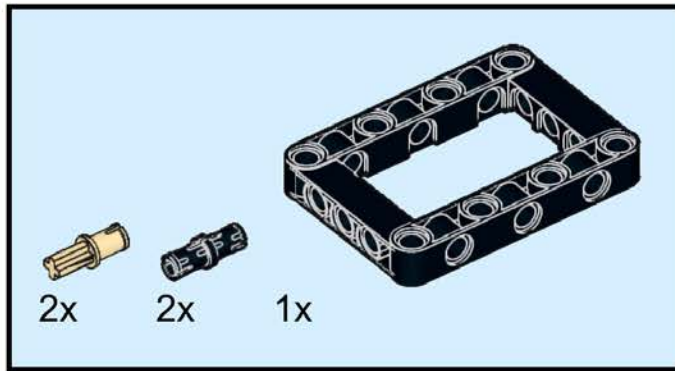
# 39



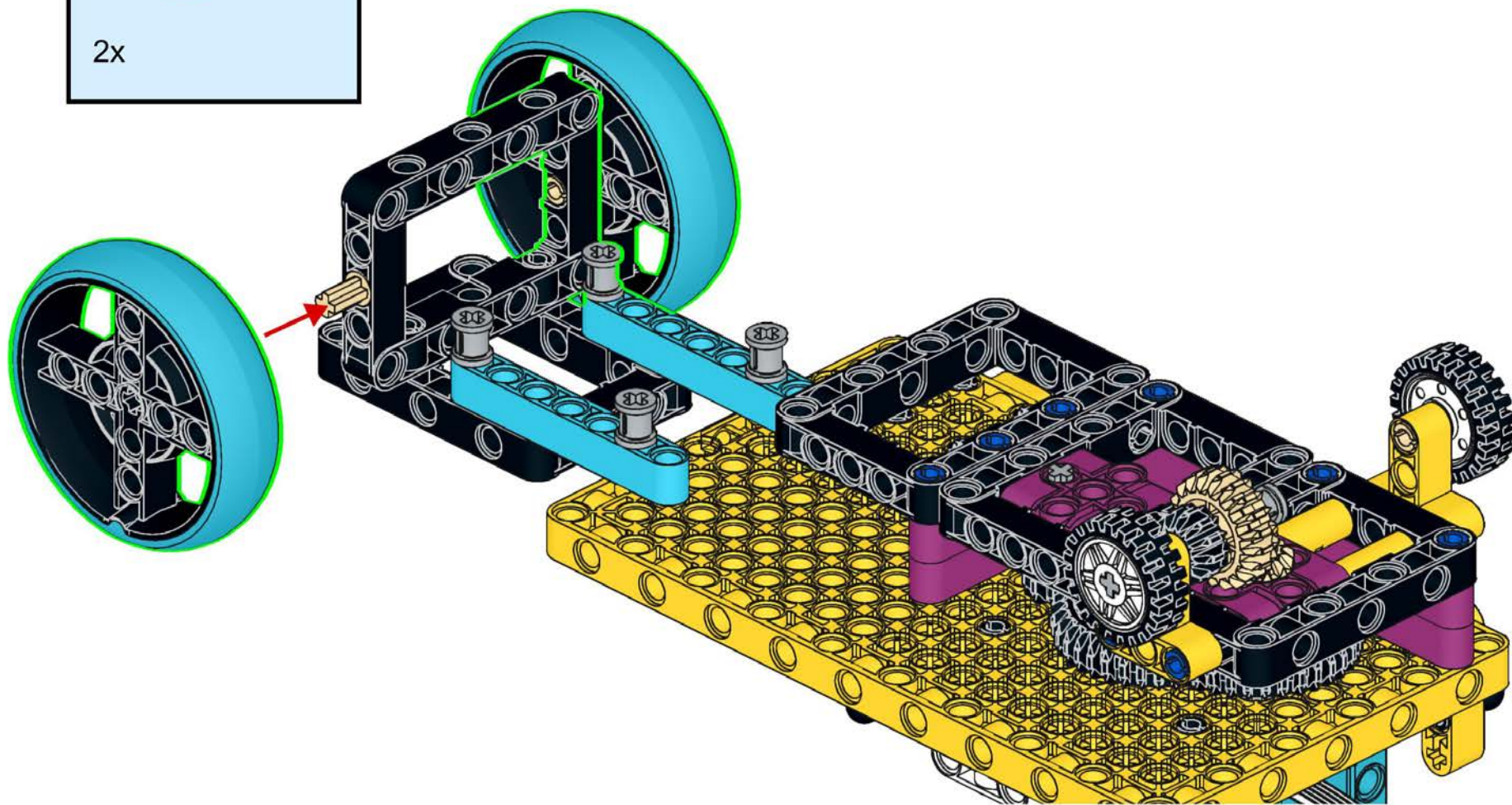
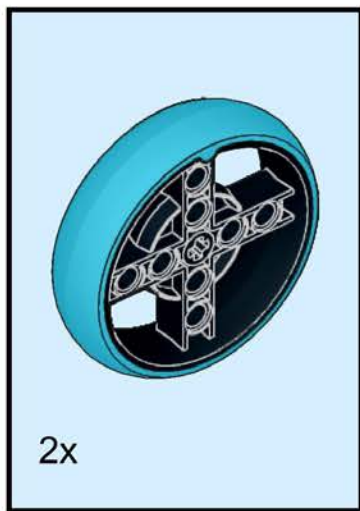
# 40



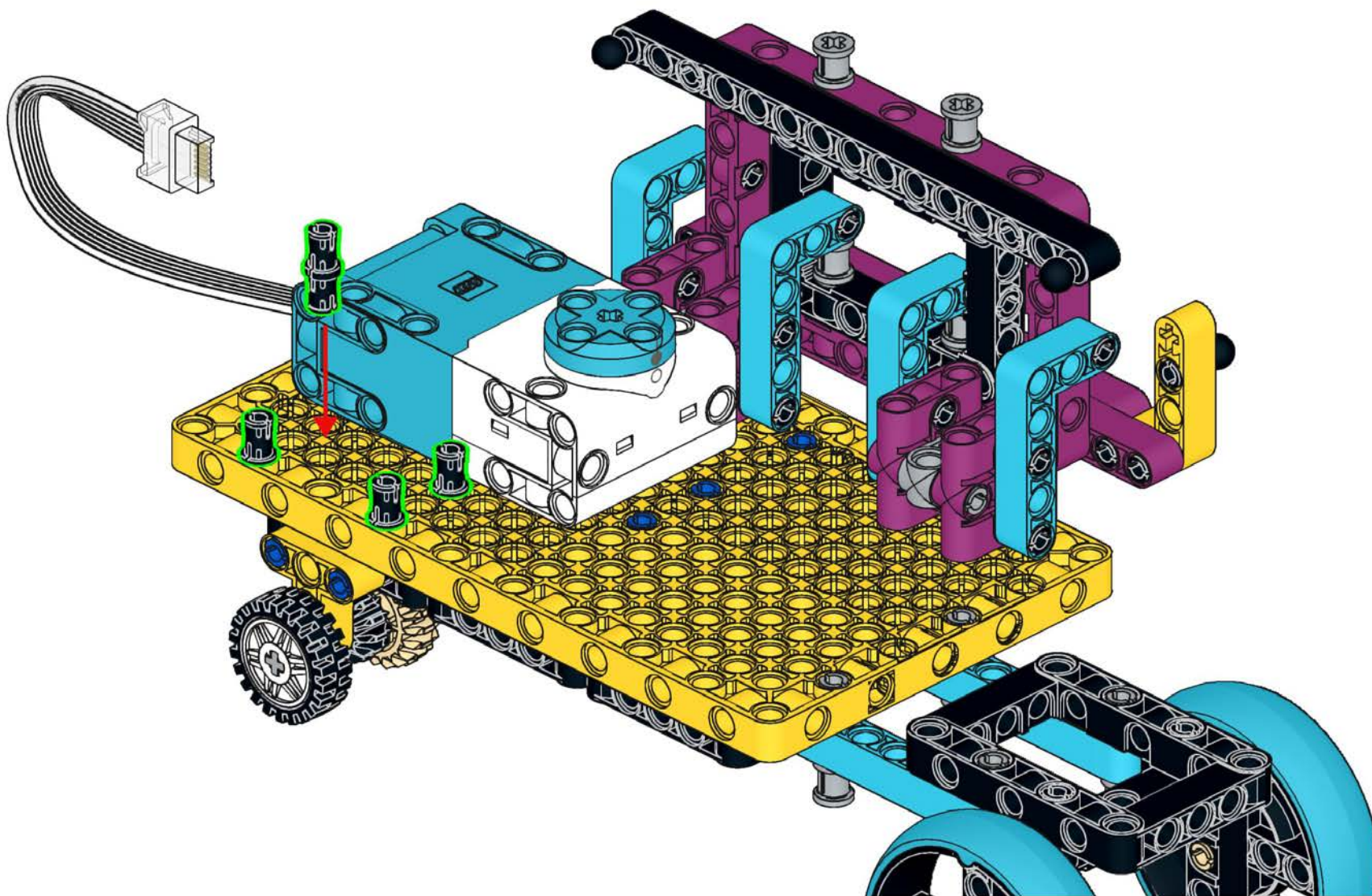
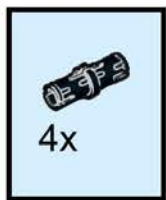
# 41



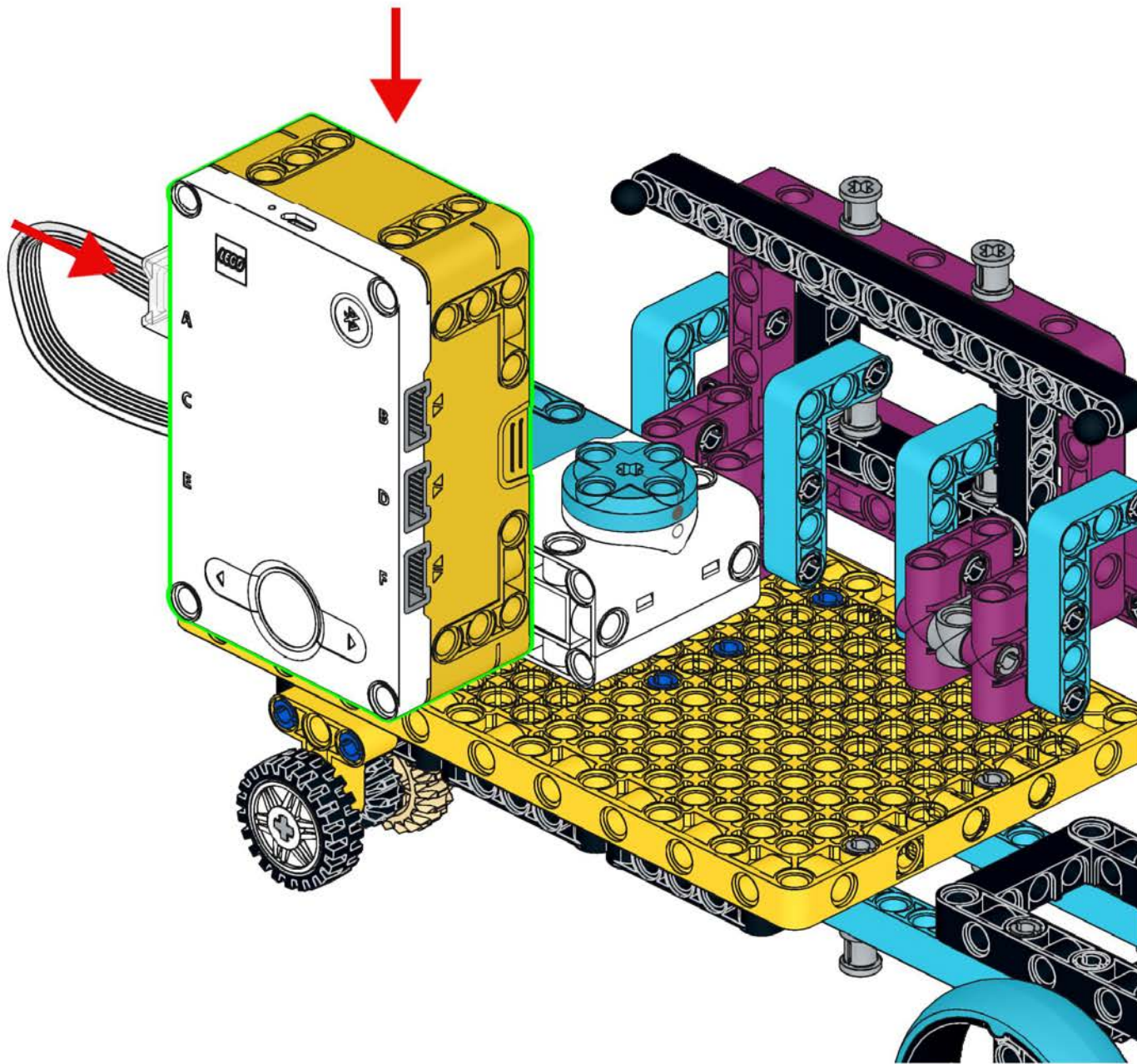
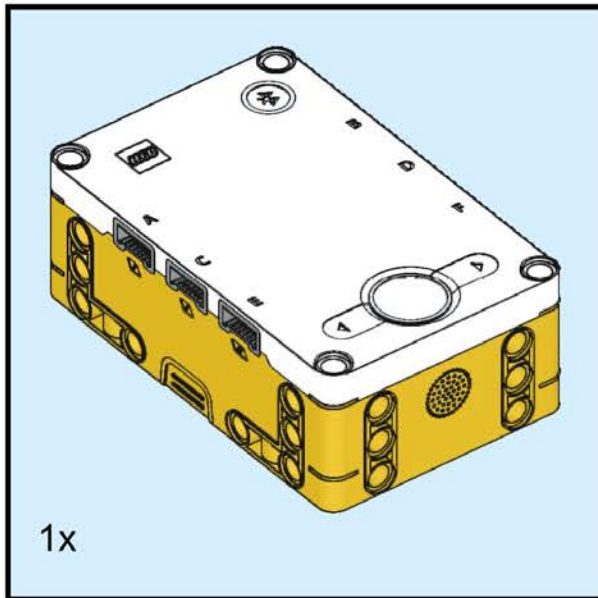
# 42



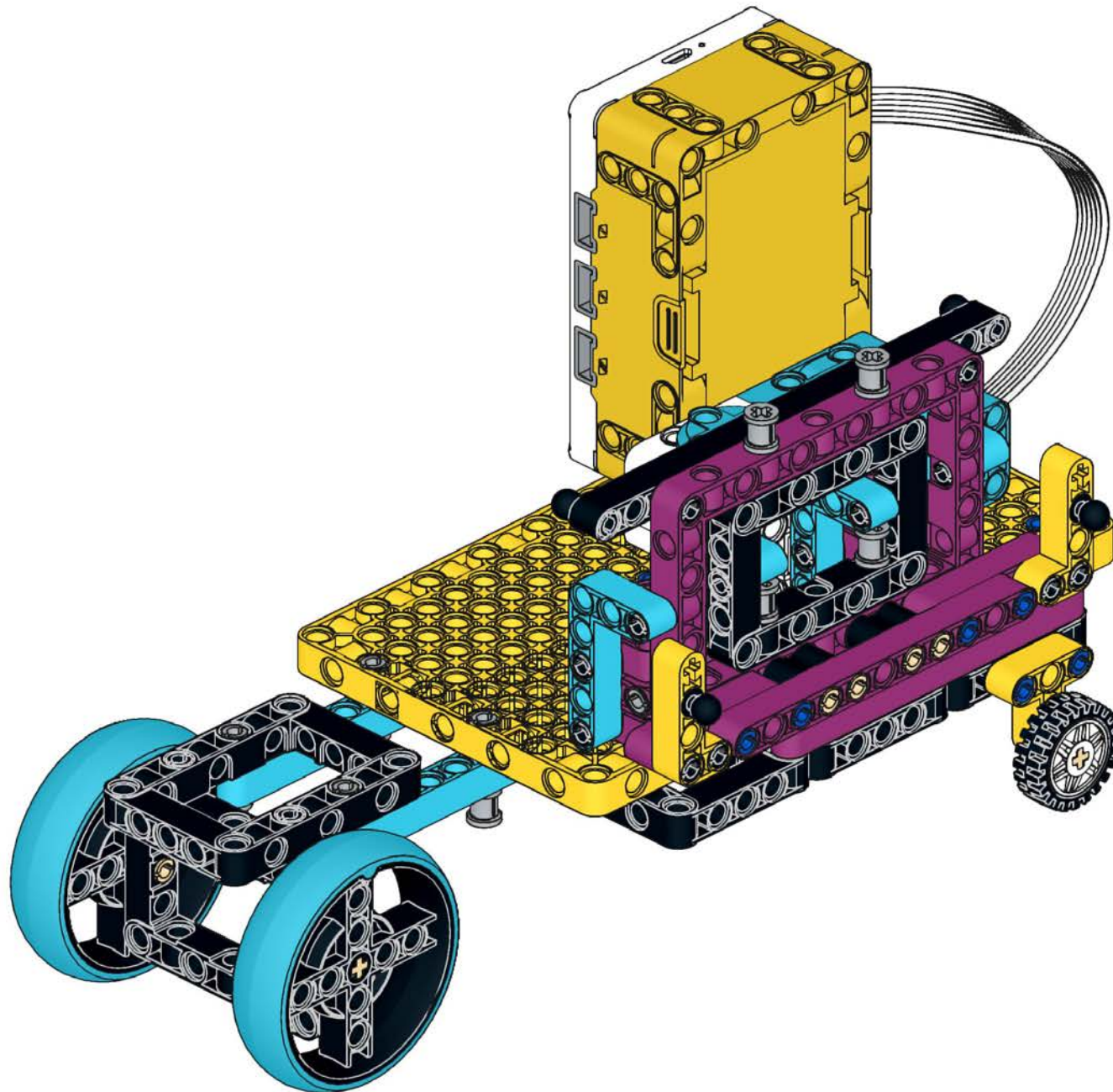
# 43



# 44



# 45



4x



2x



40x



3x



1x



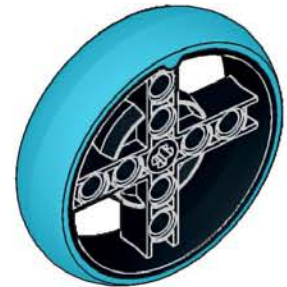
2x



2x



6x



2x



1x



3x



8x



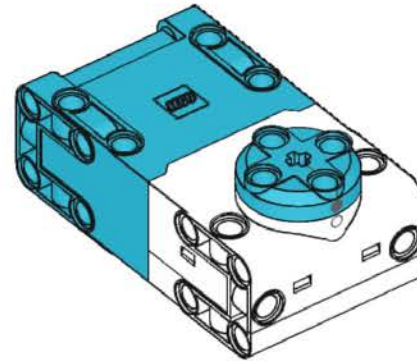
2x



3x



2x



1x



1x



1x



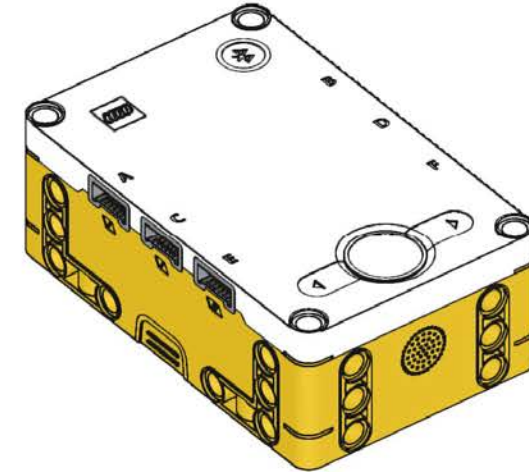
2x



2x



2x



1x



7x



1x

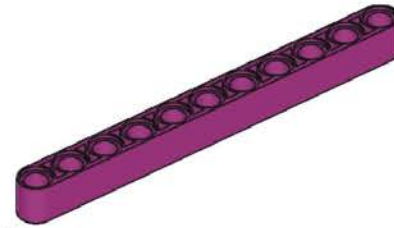




6x

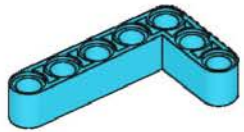


4x

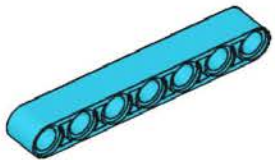


3x

1x



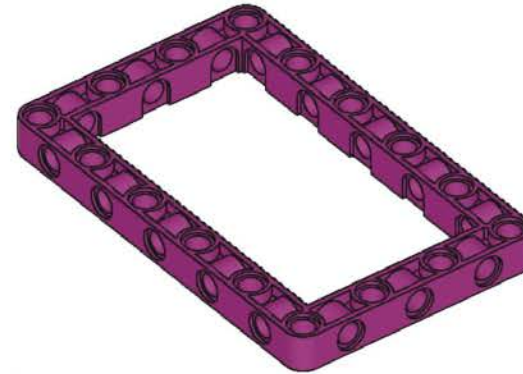
4x



2x



22x



1x