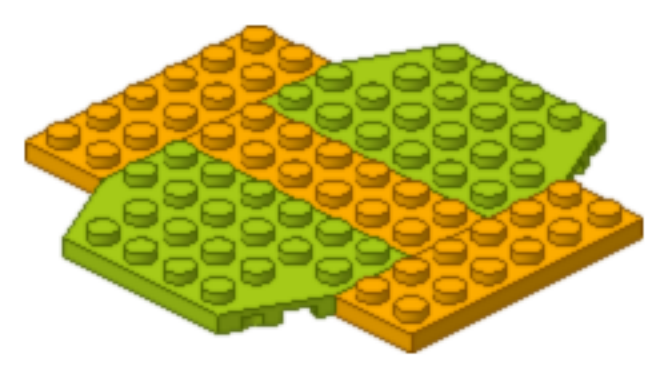
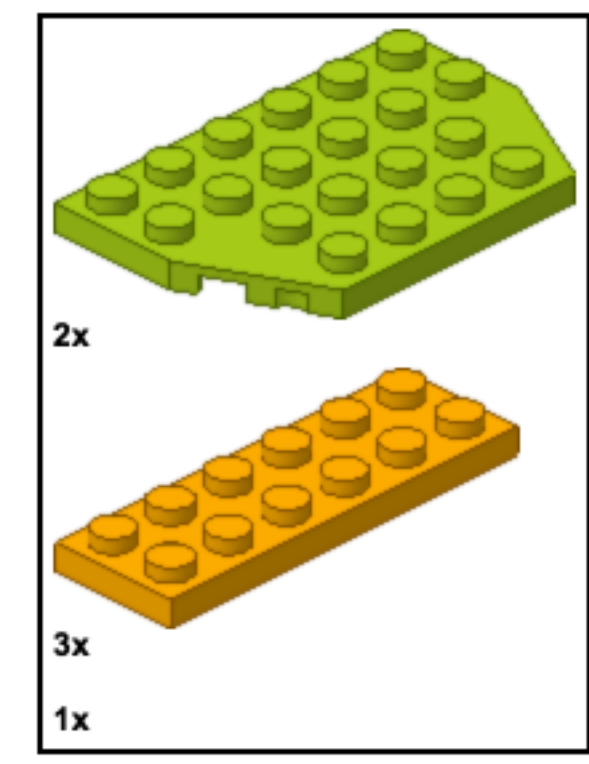
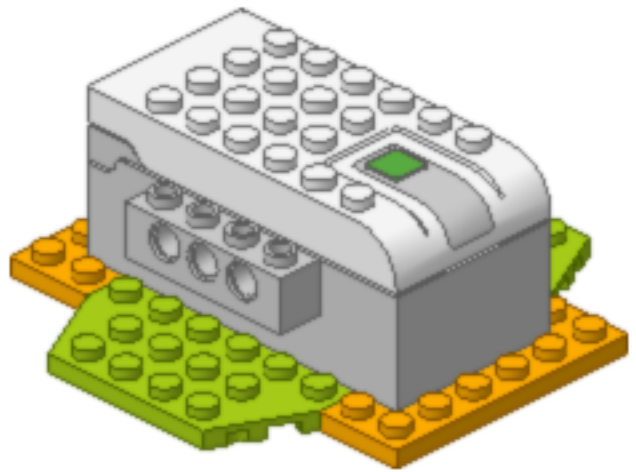
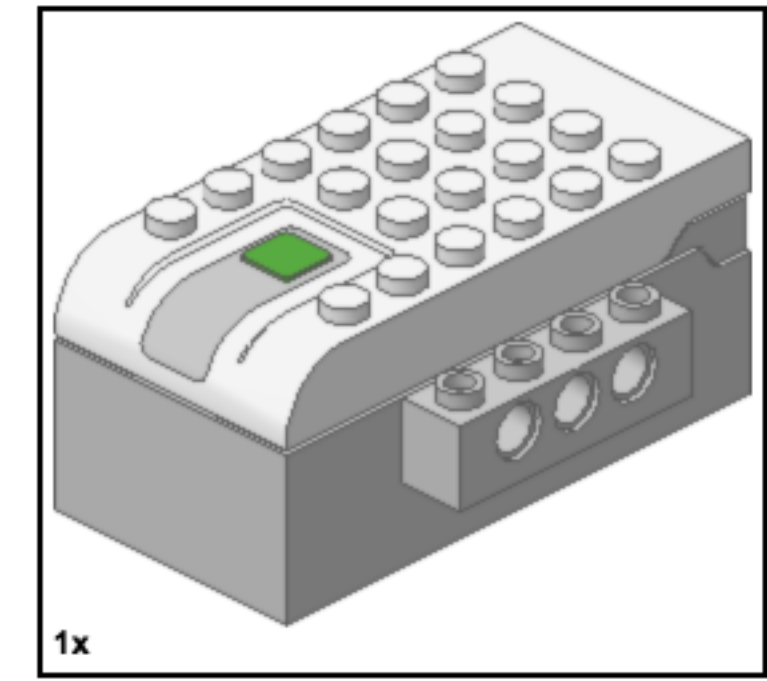


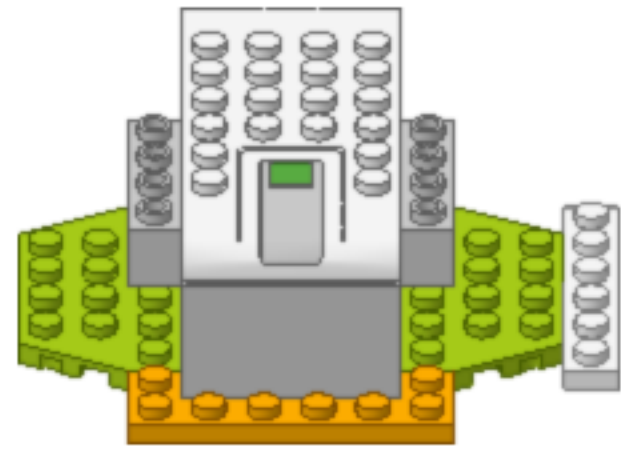
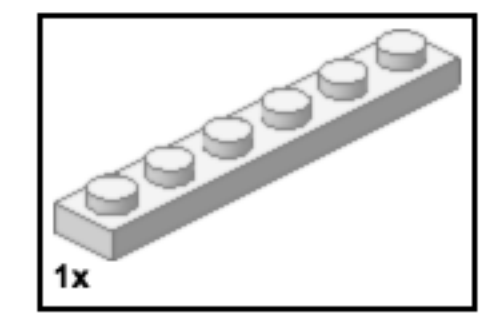
1



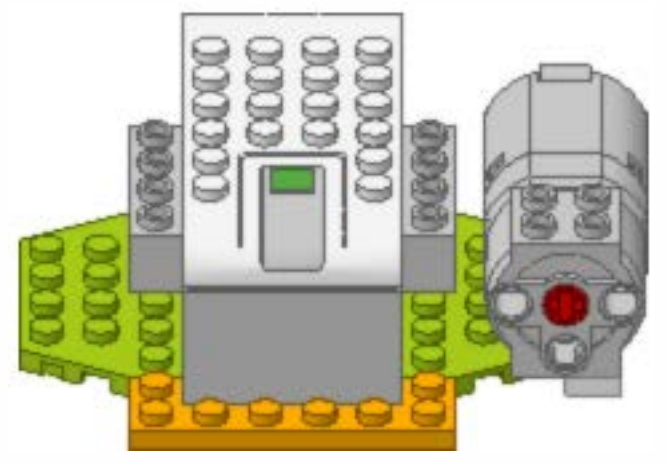
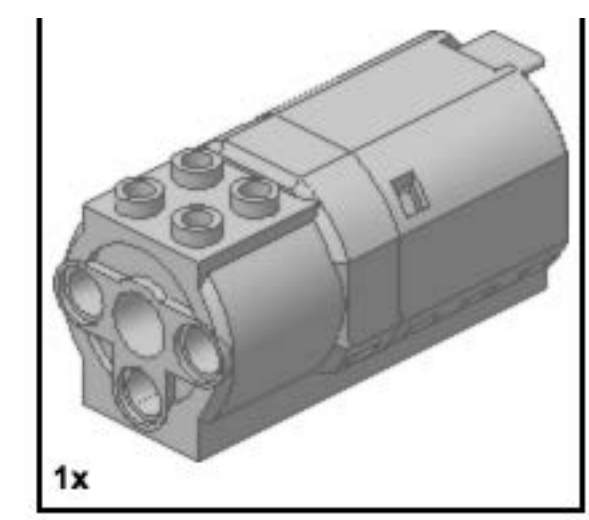
2



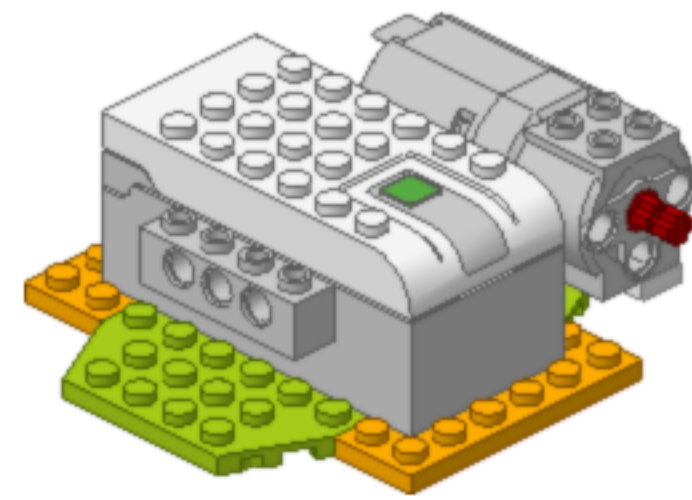
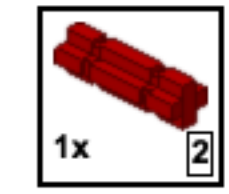
3



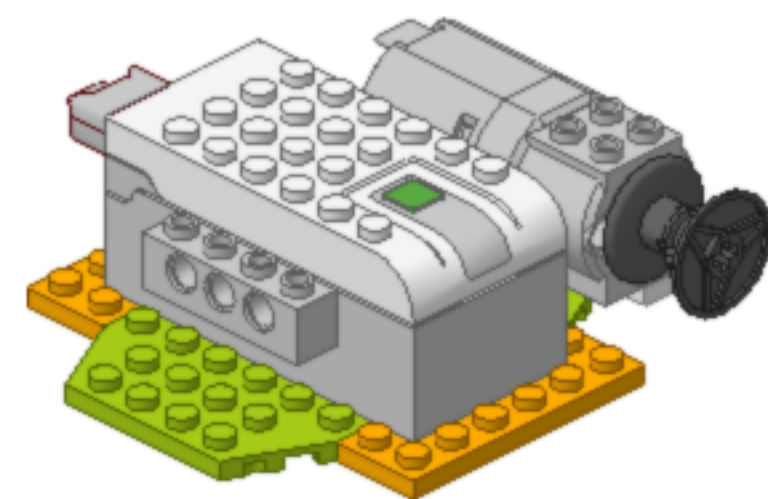
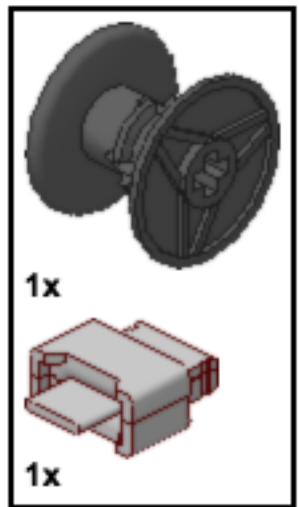
4



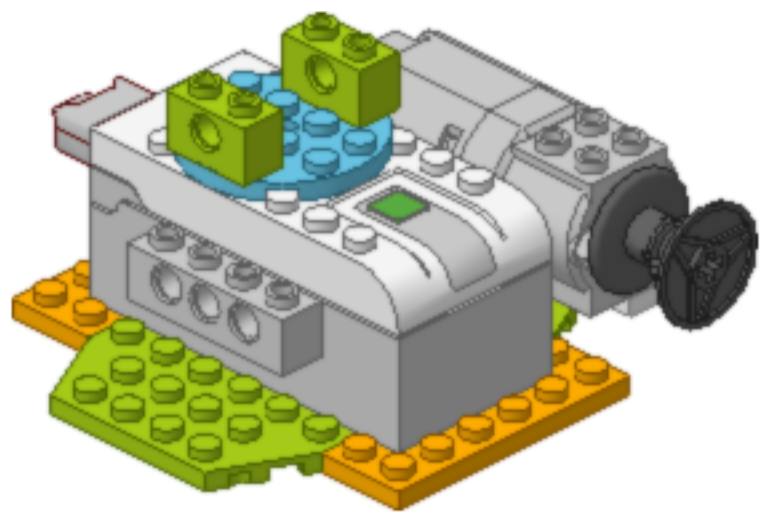
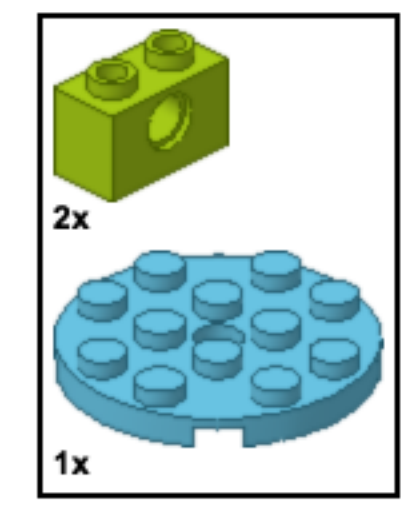
5



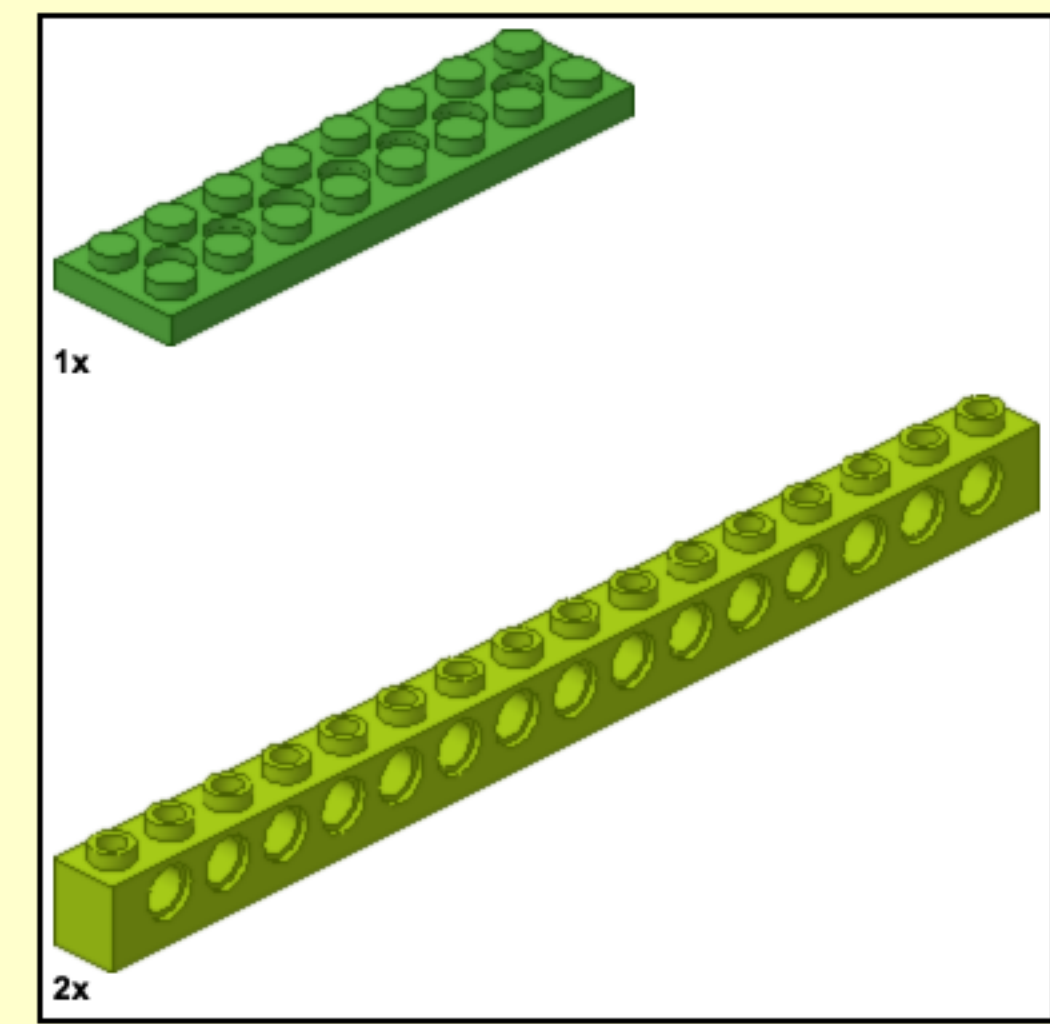
6



7

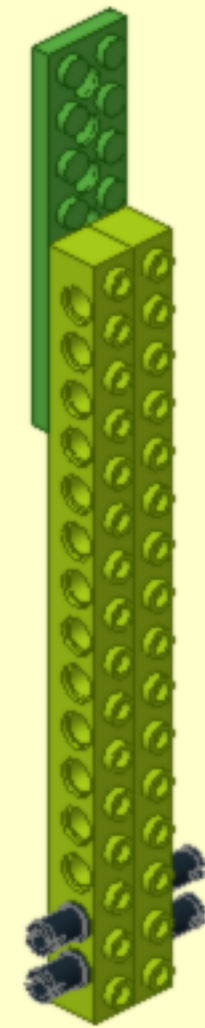


1

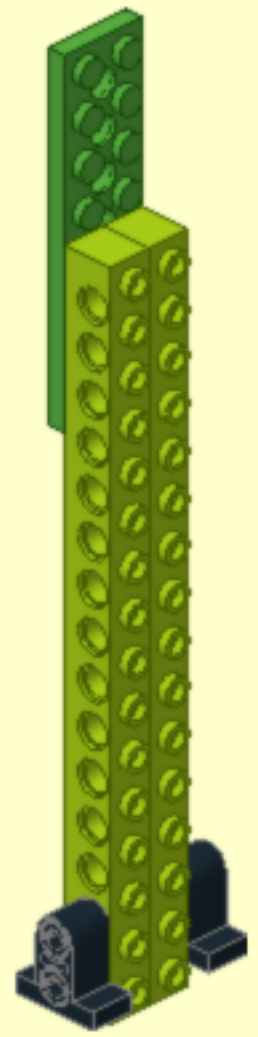




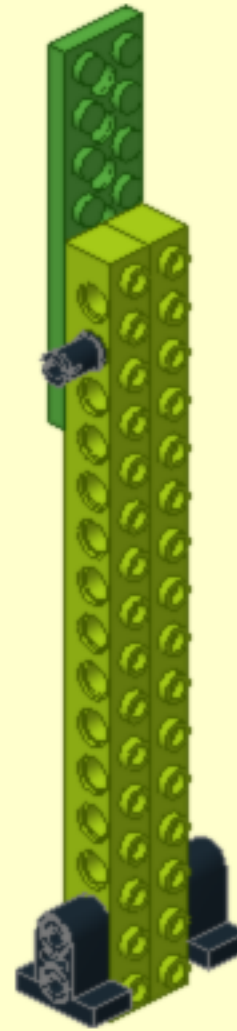
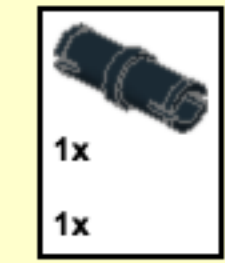
2



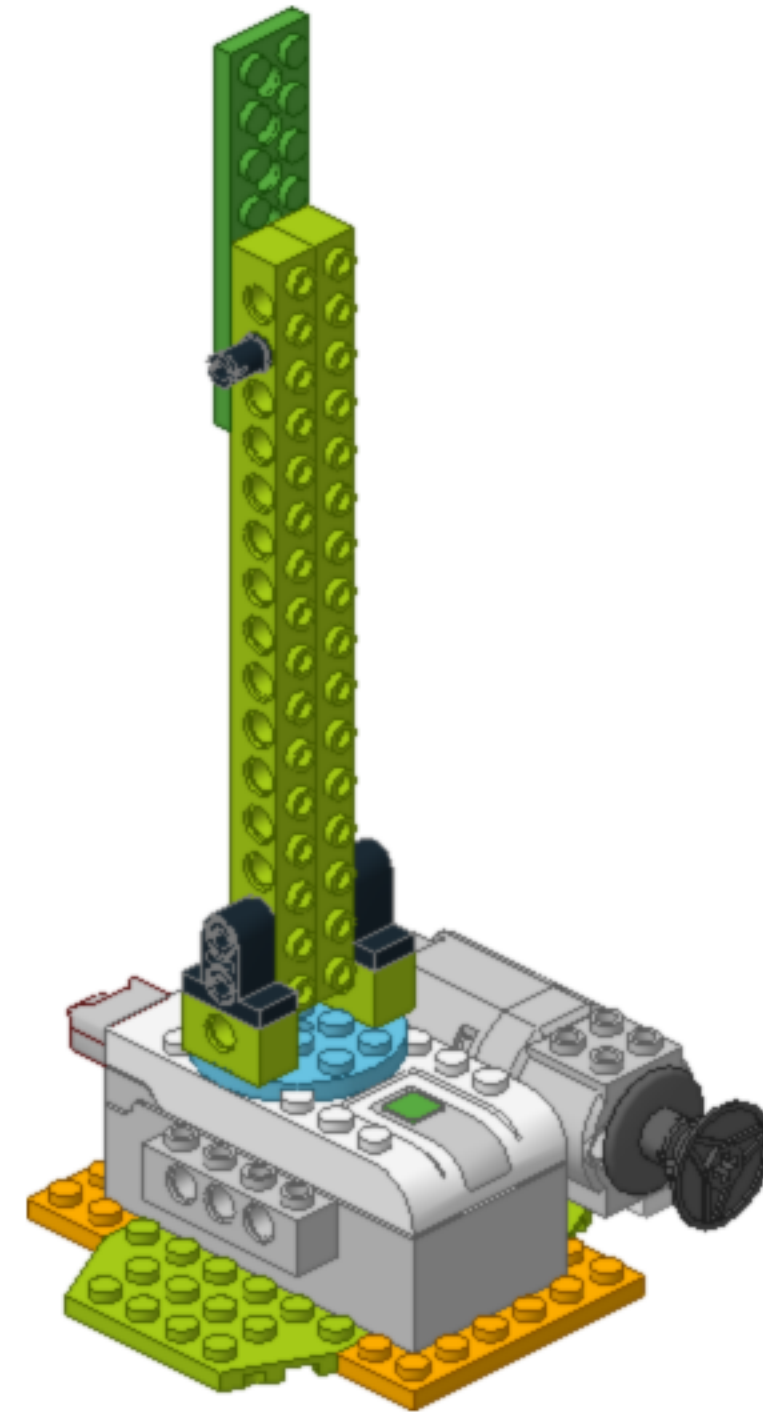
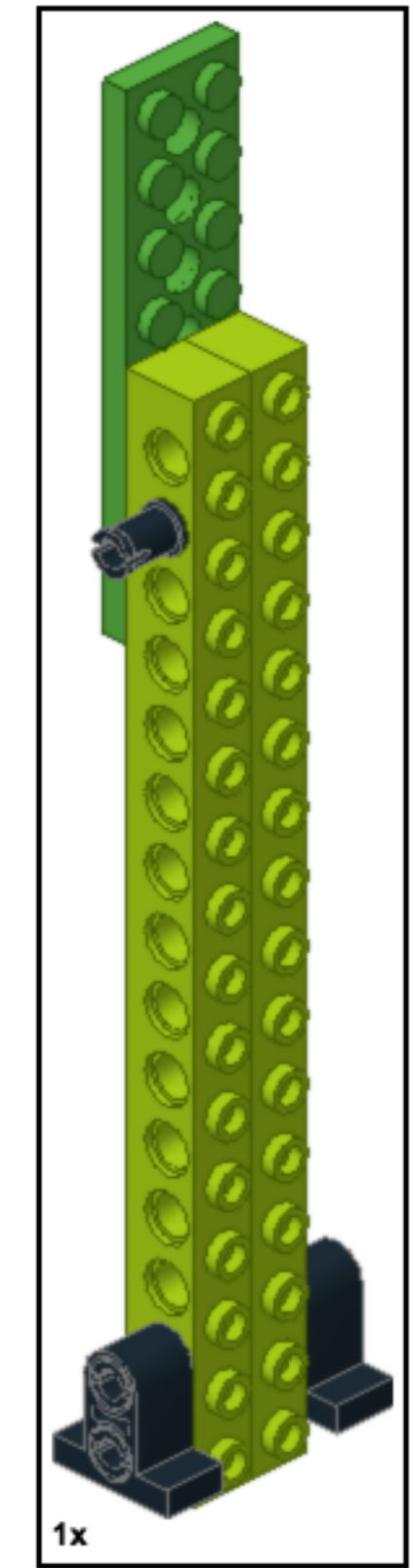
3



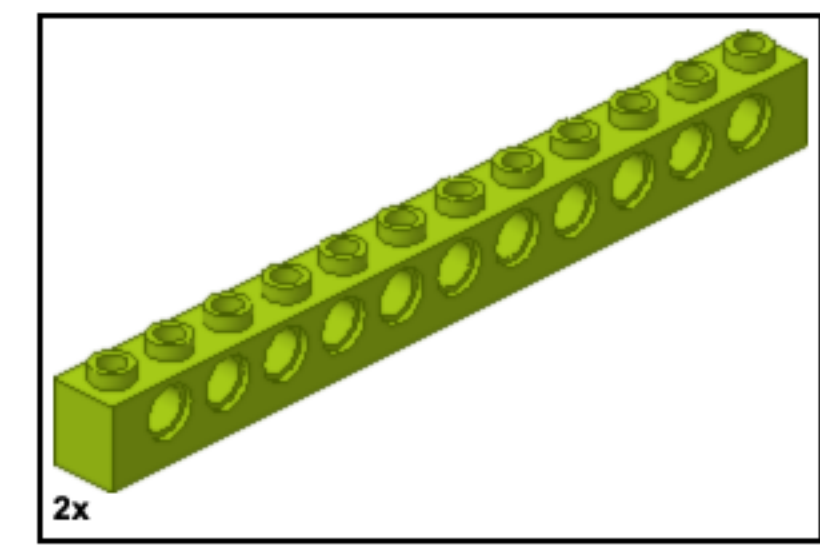
4

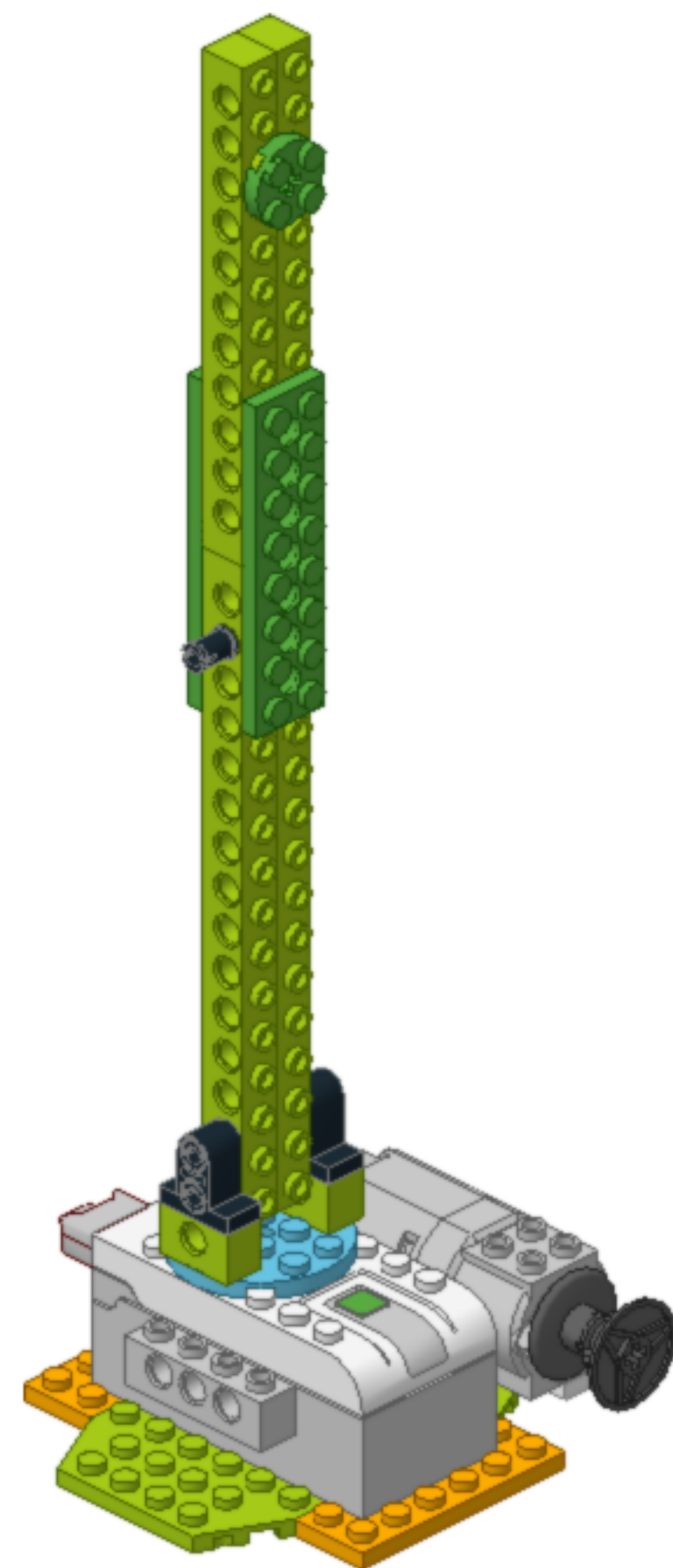
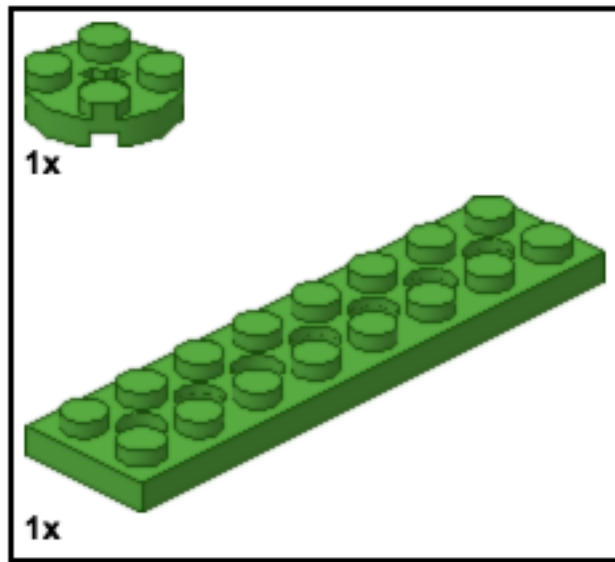


8

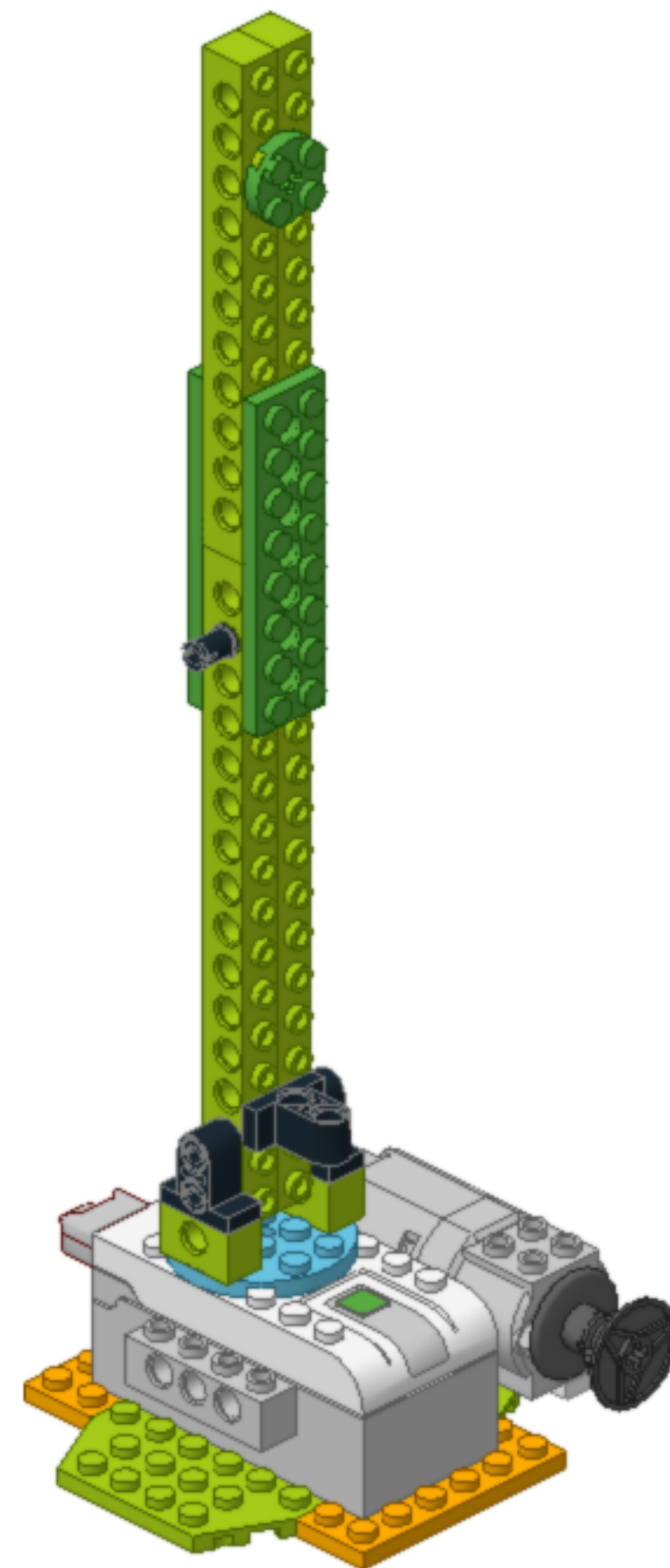
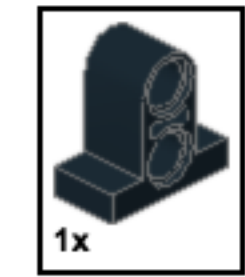


9

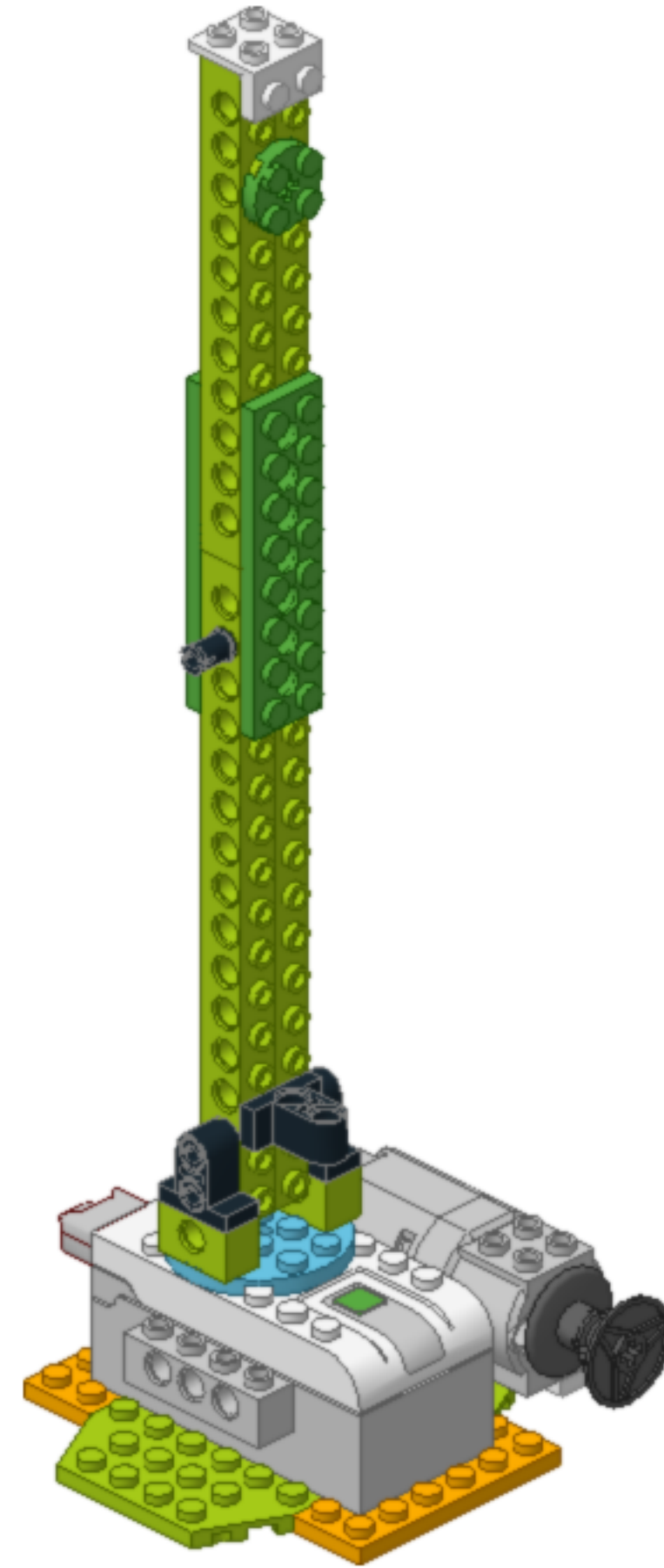
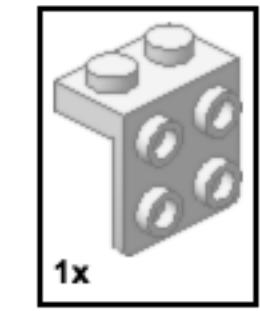




11

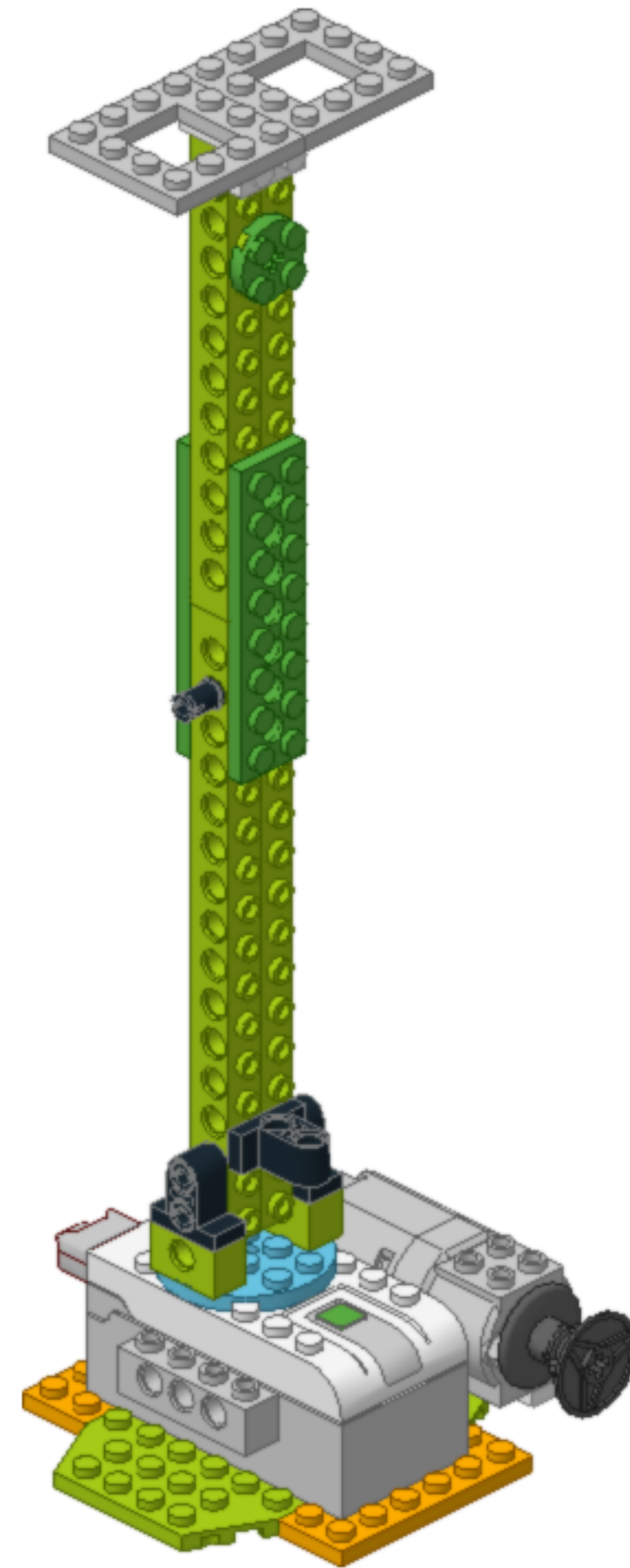
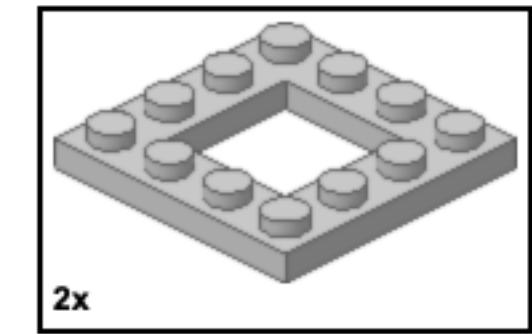


12

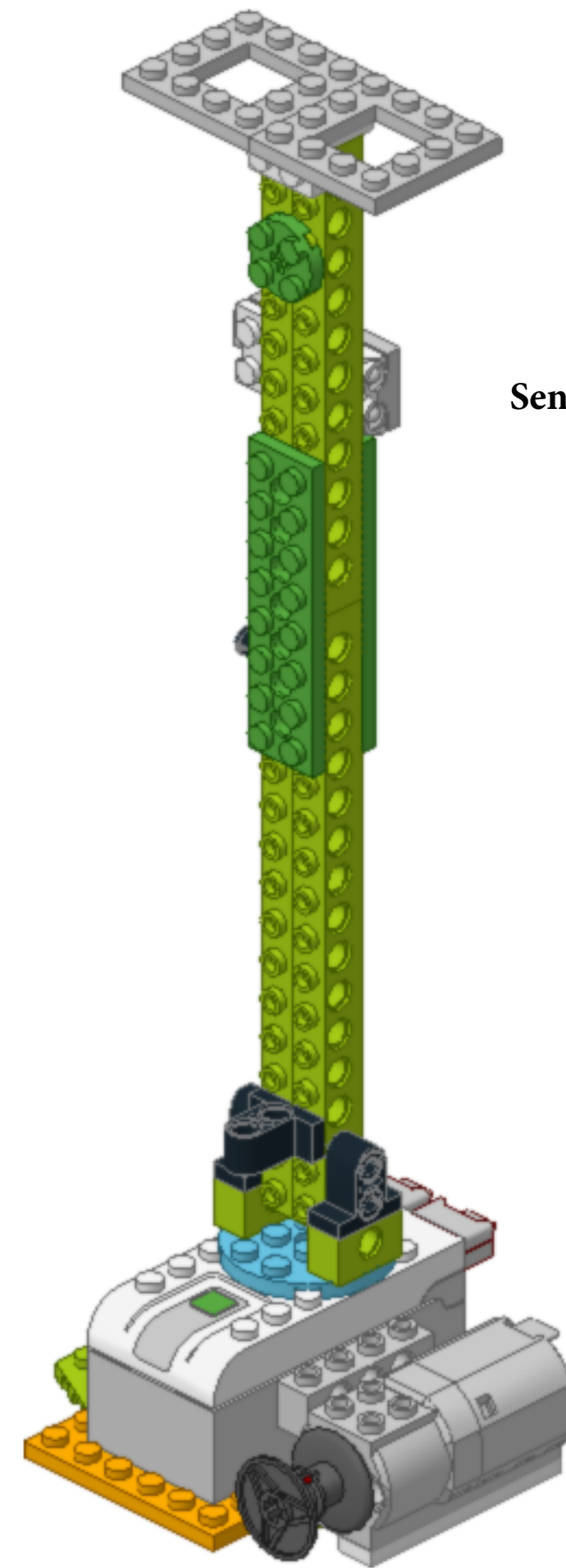
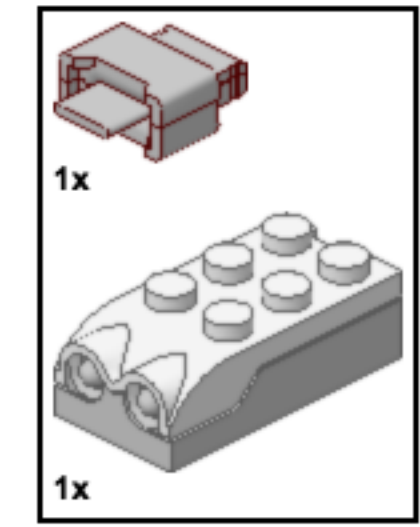




13

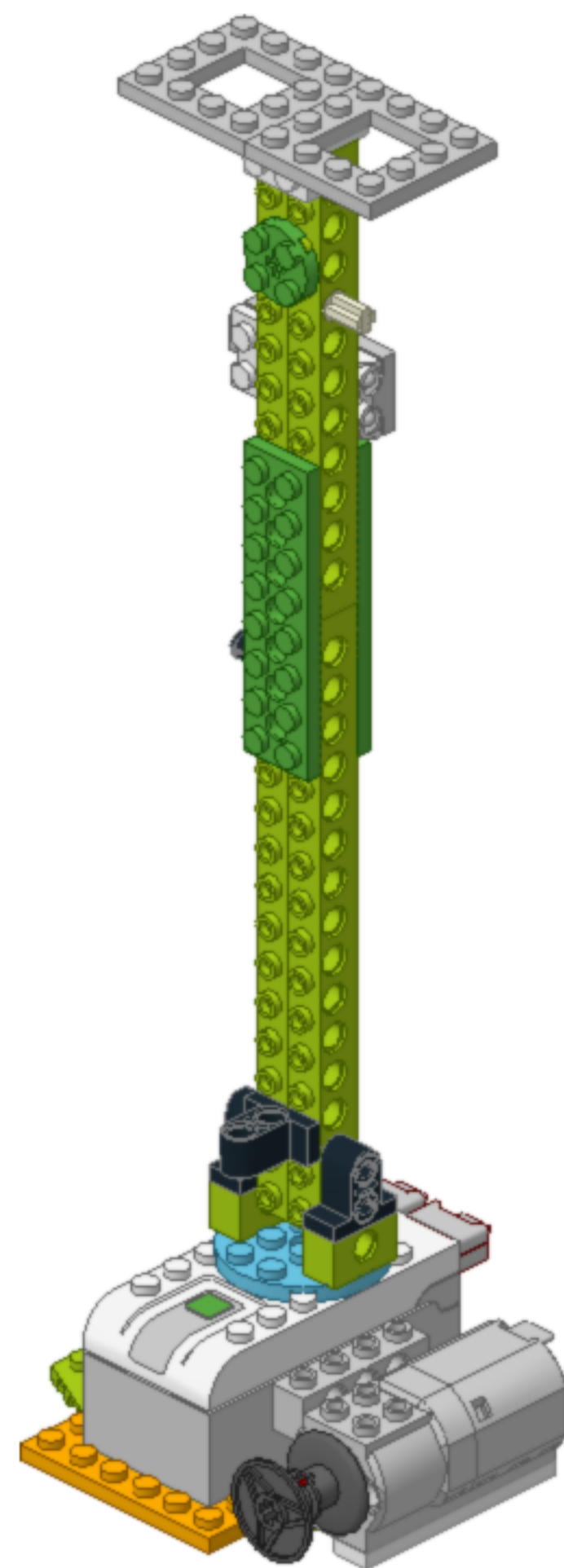
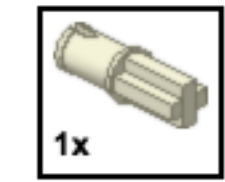


14

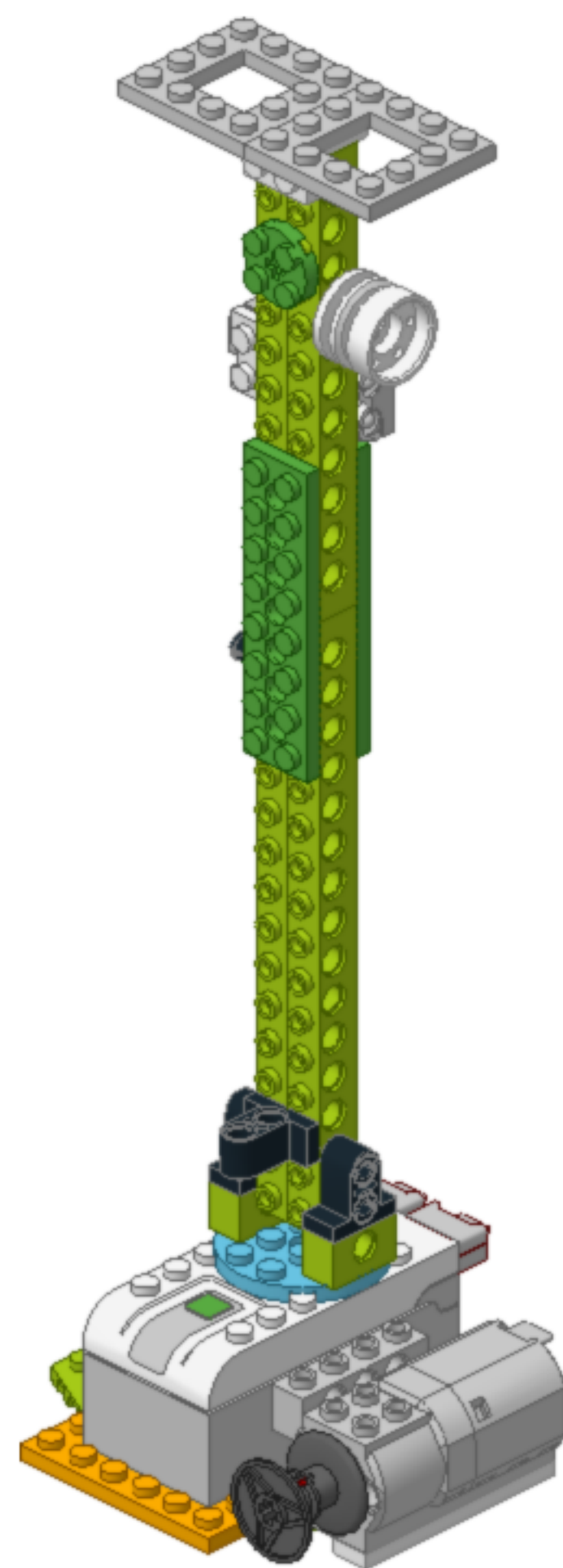
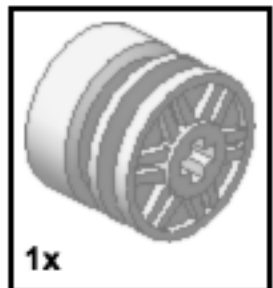


Sensor lens facing this way!

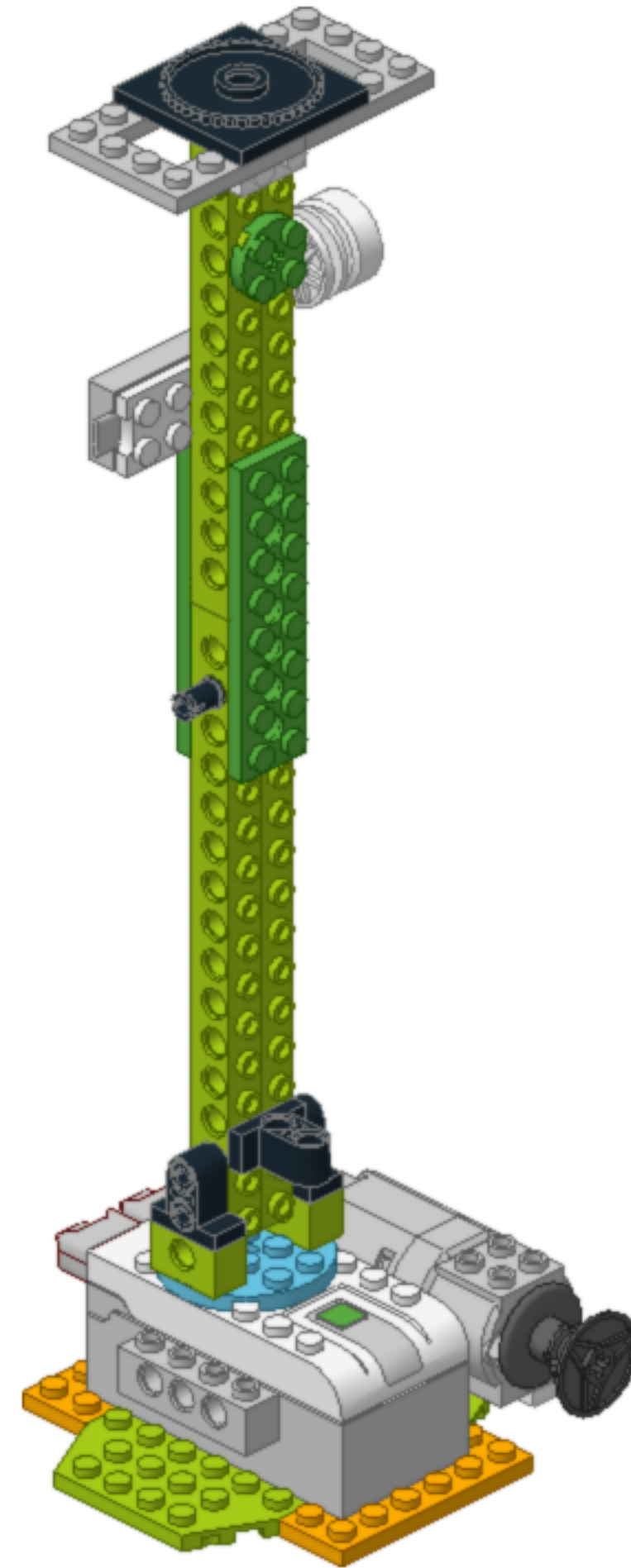
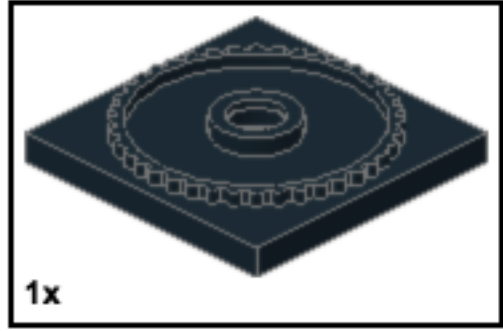
15



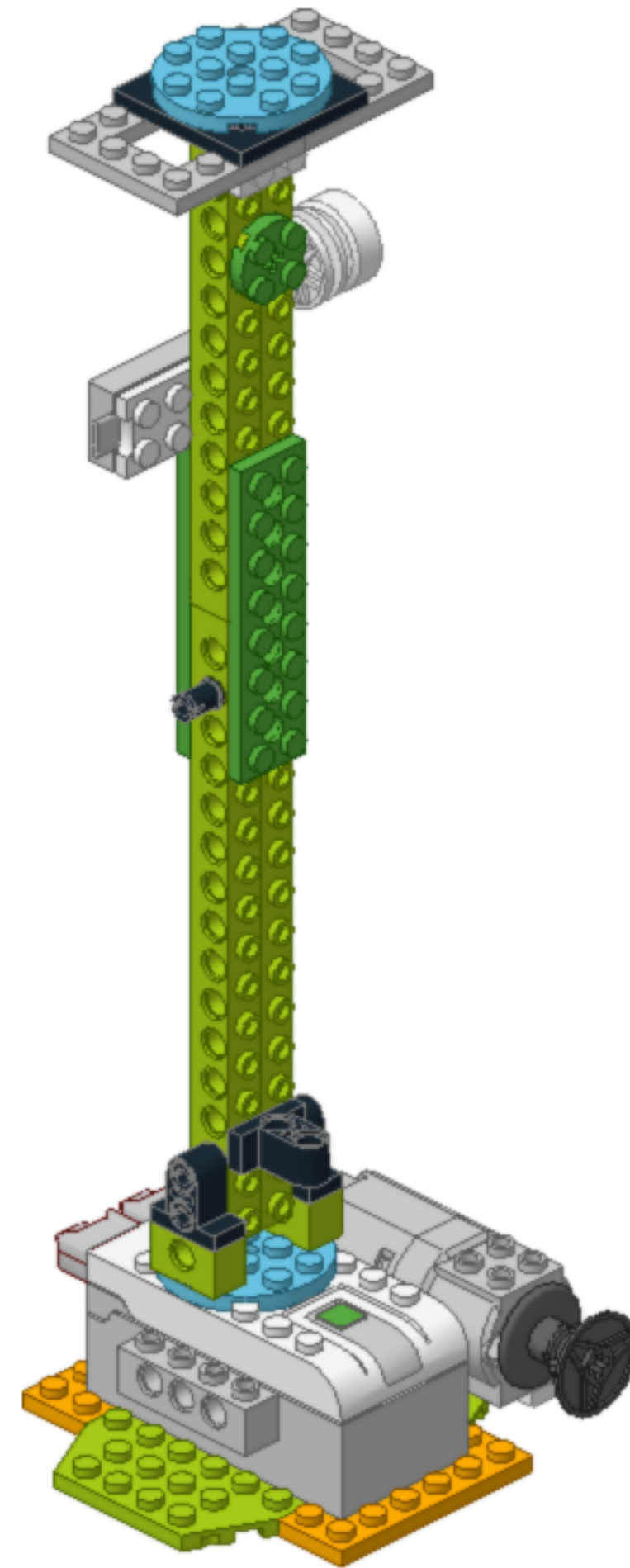
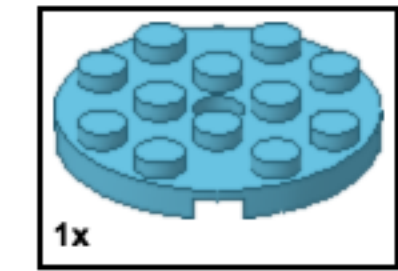
16



17

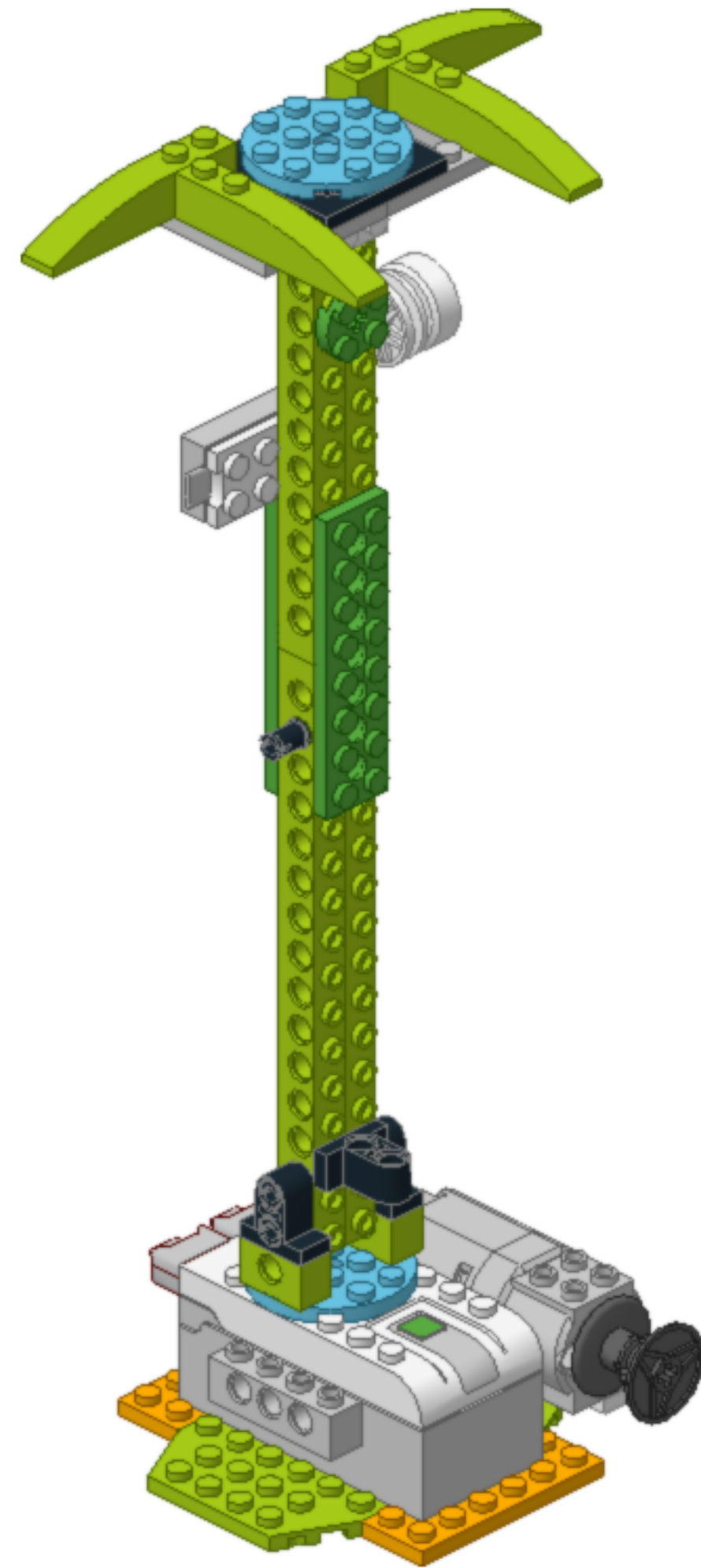
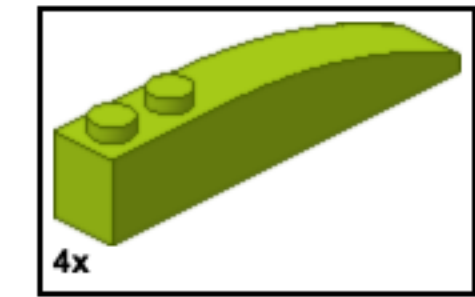


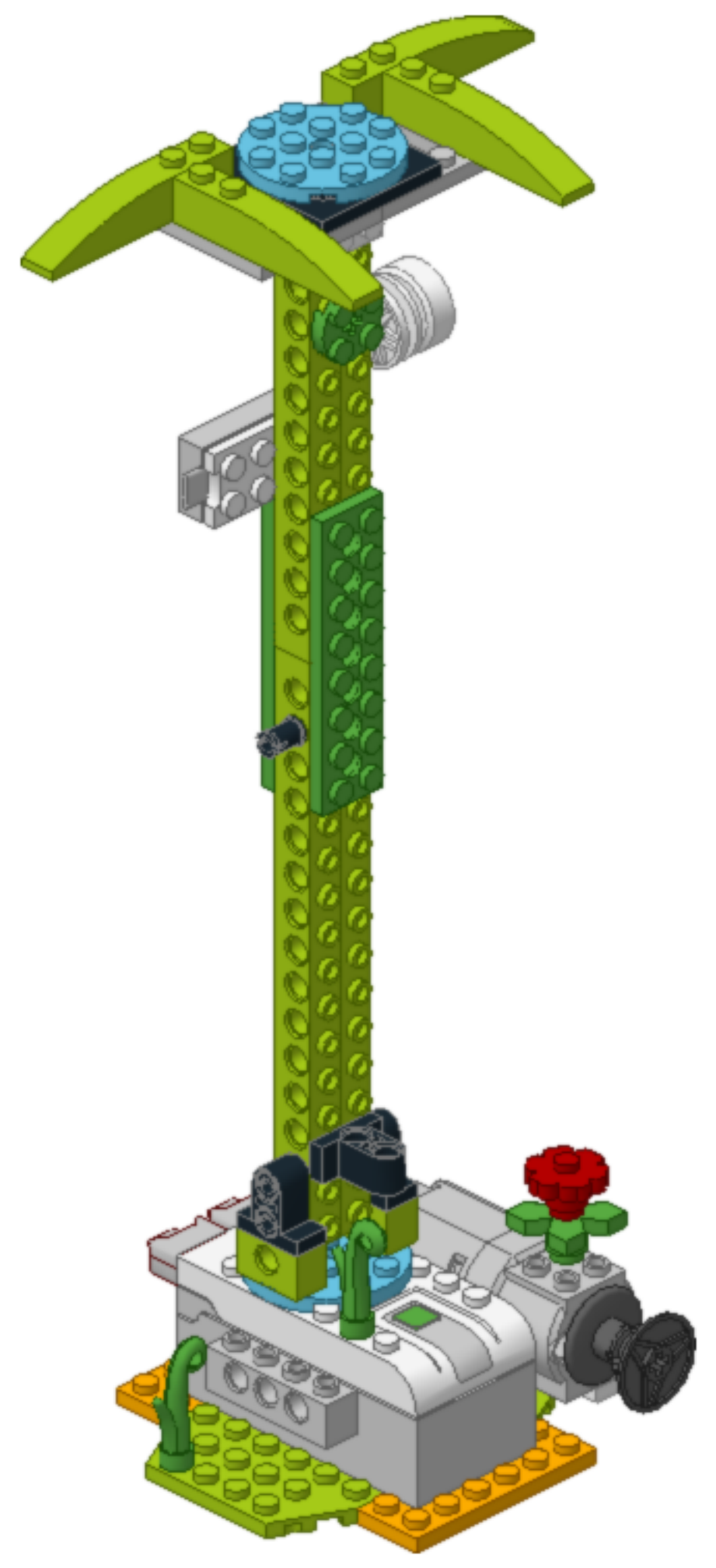
18





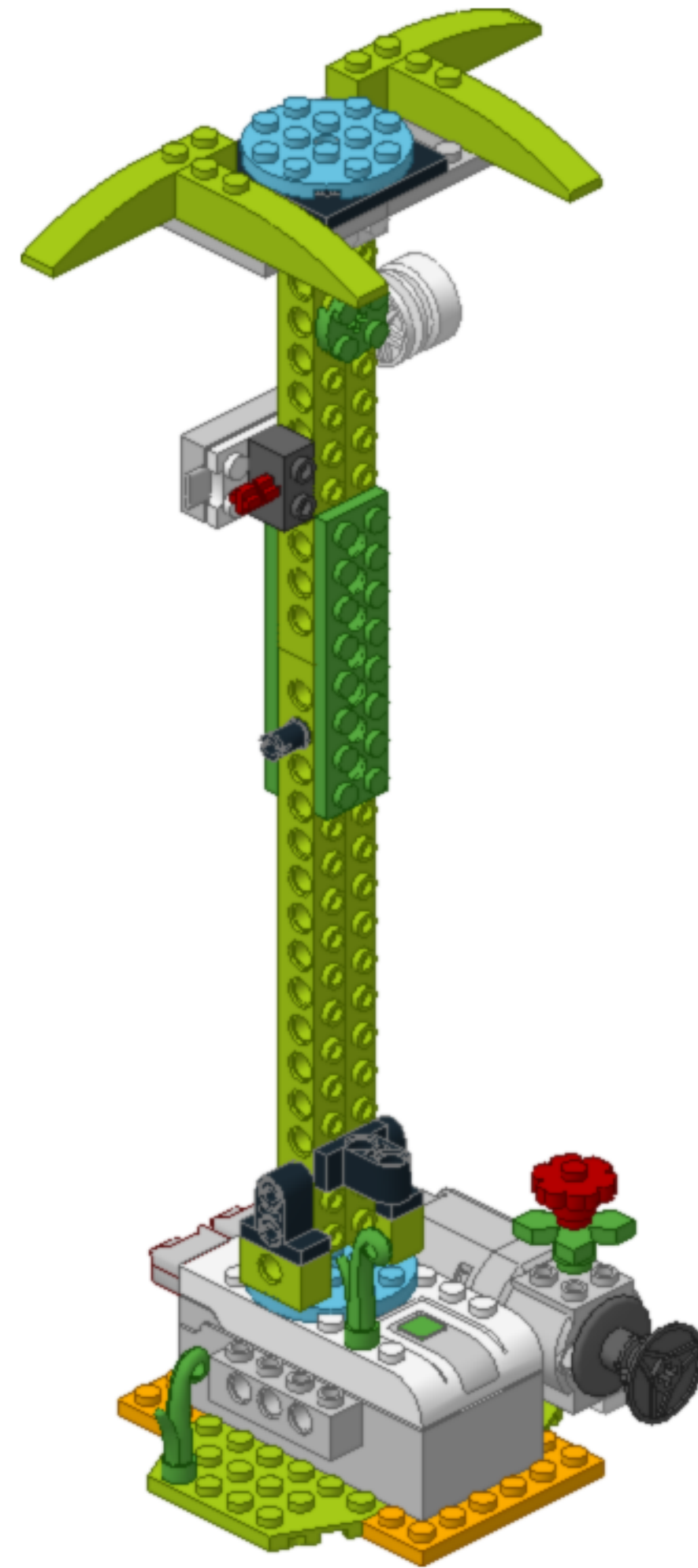
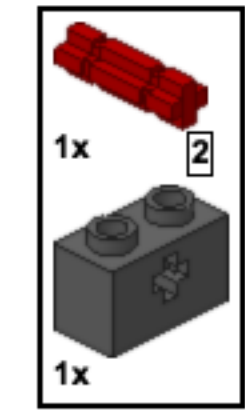
19



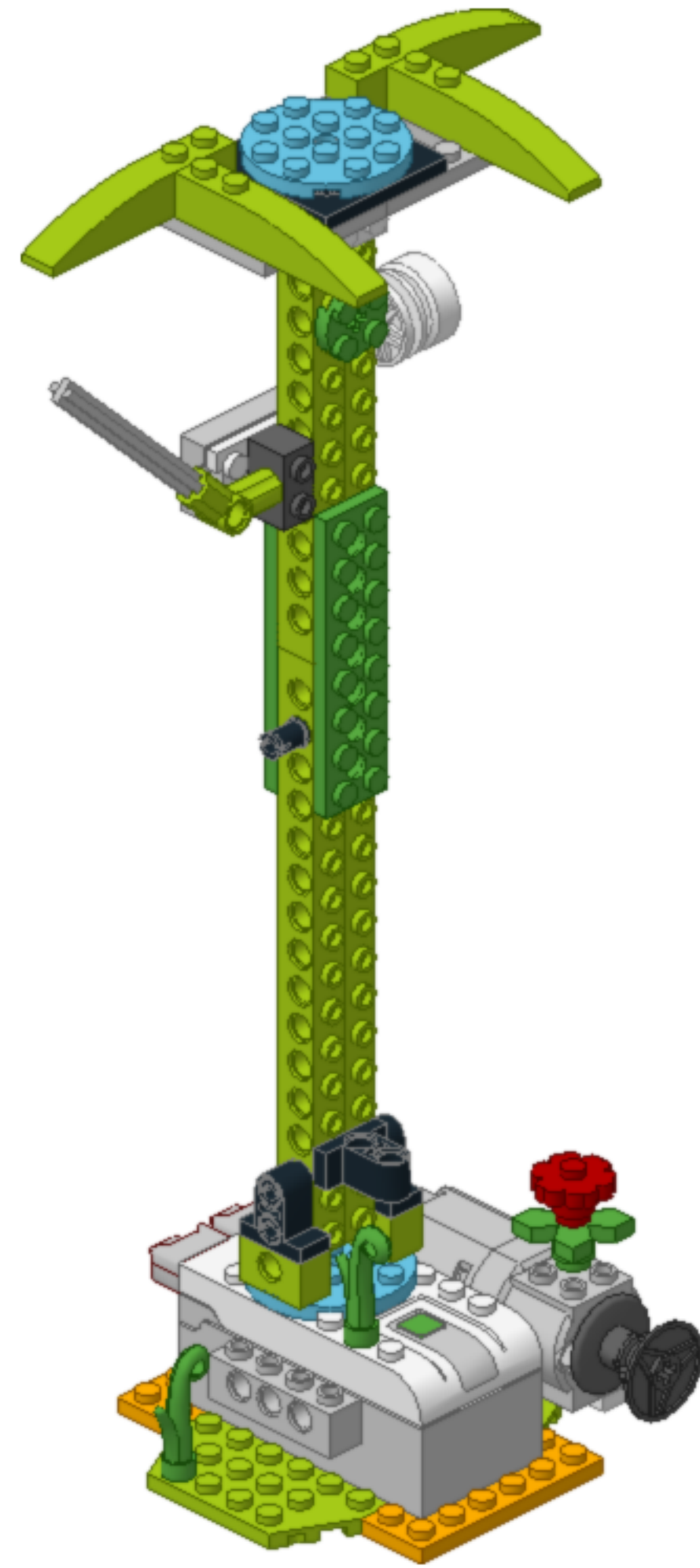
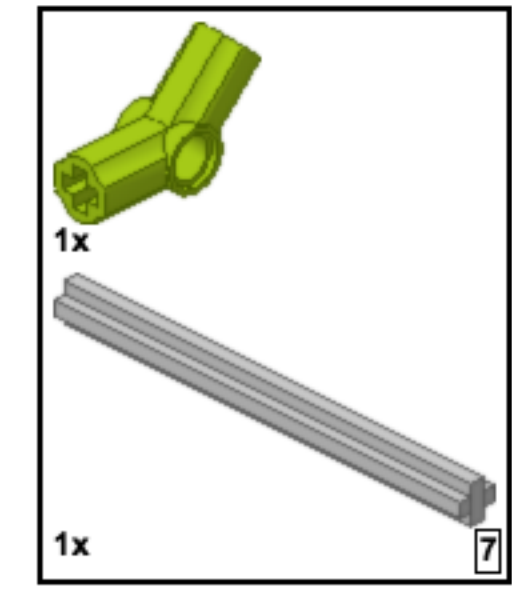


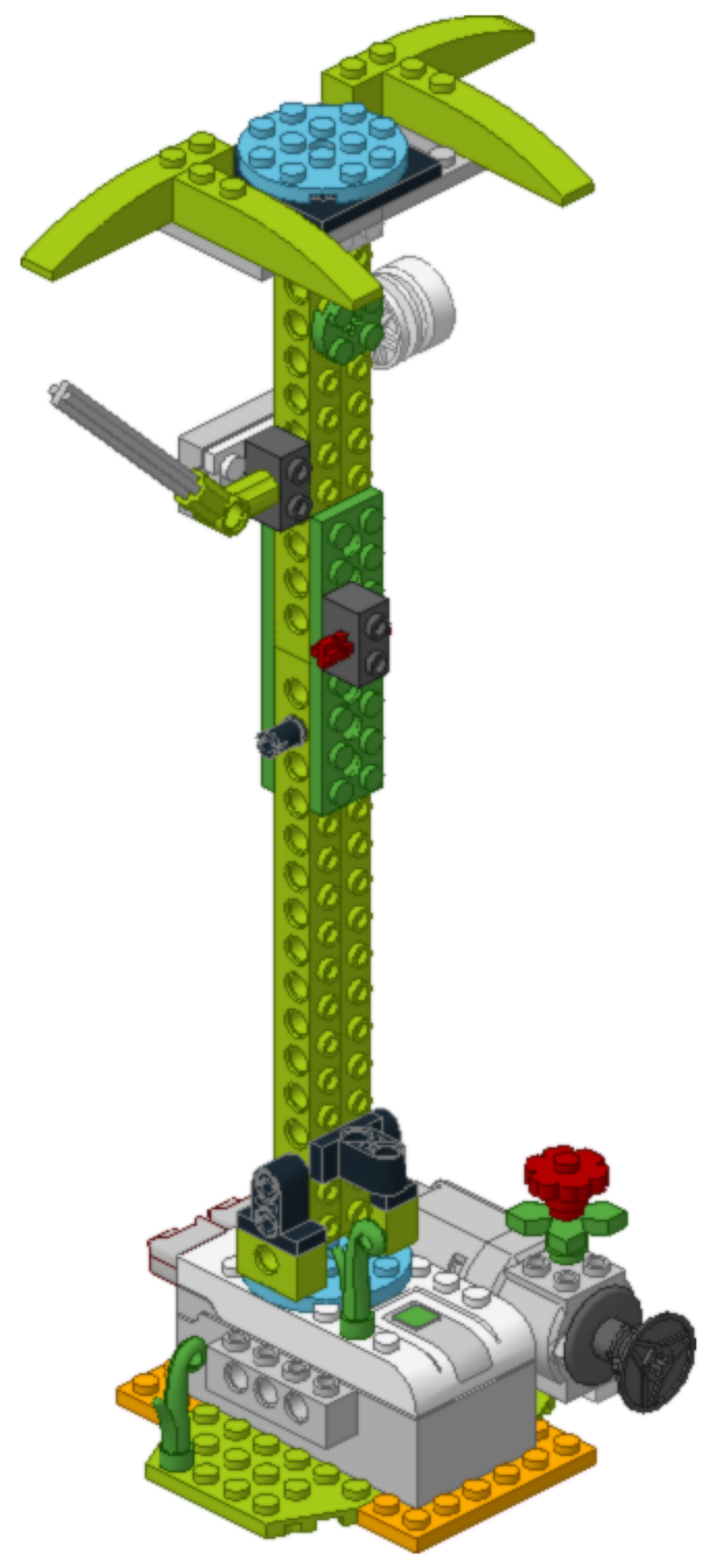
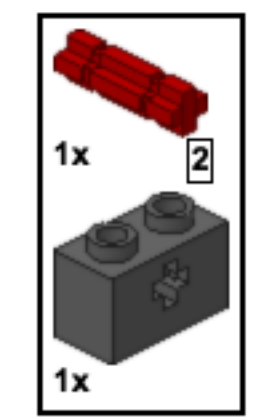


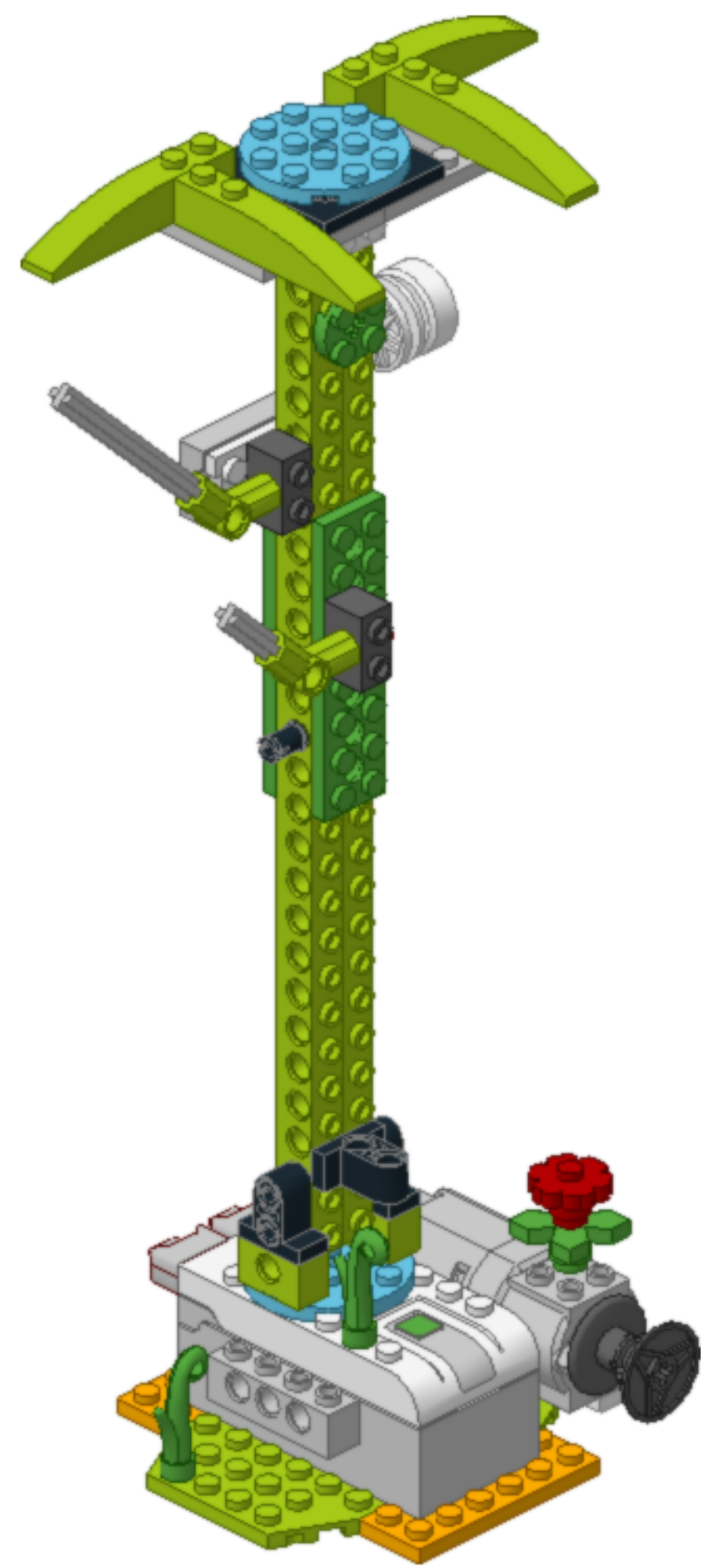
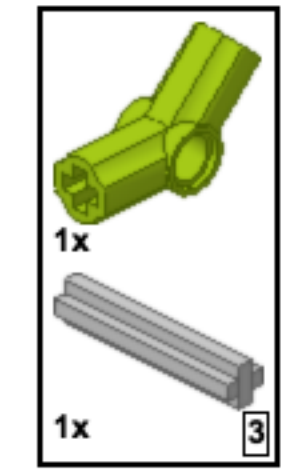
21



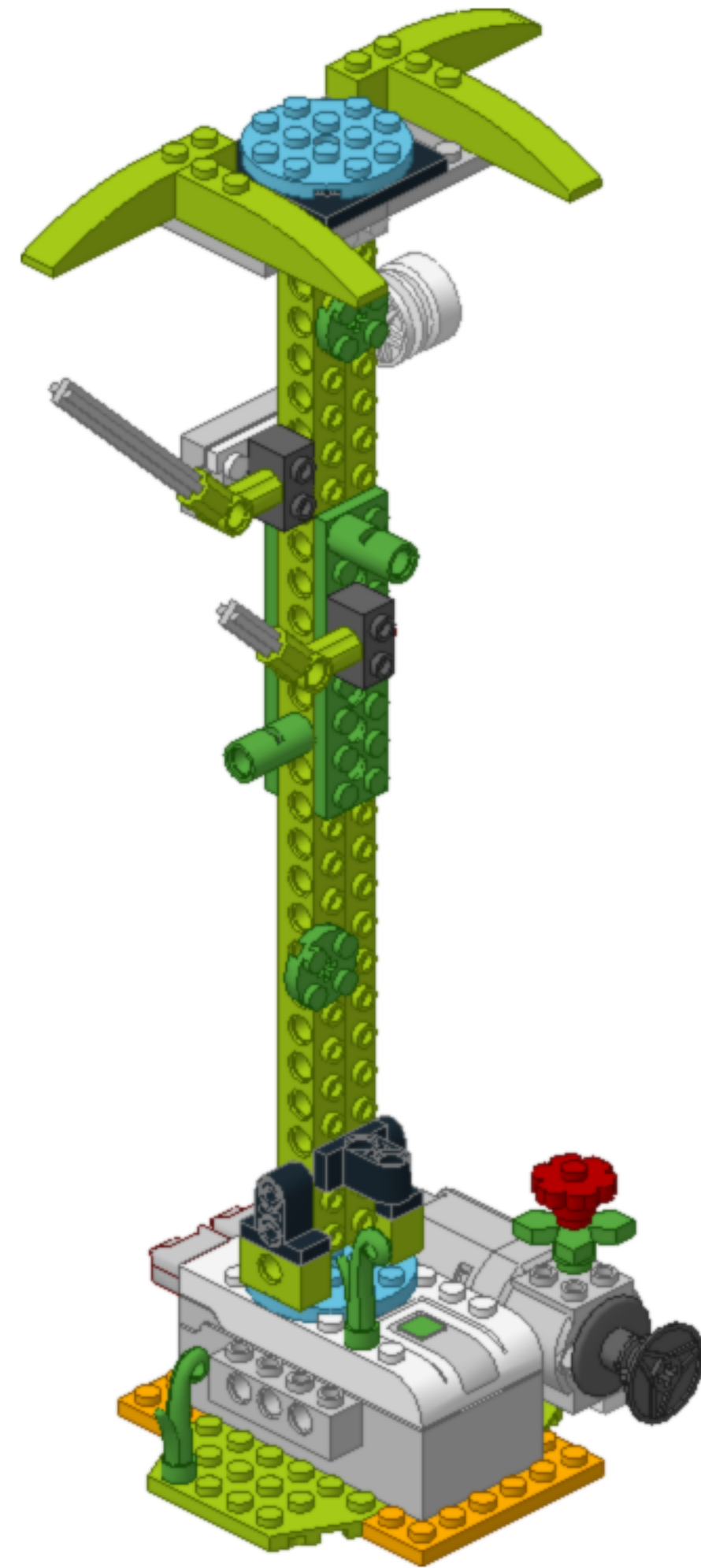
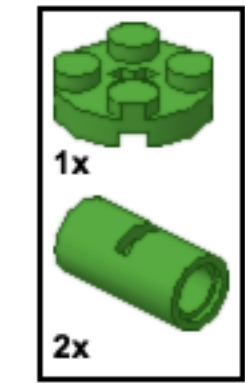
22










25

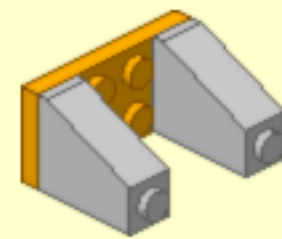
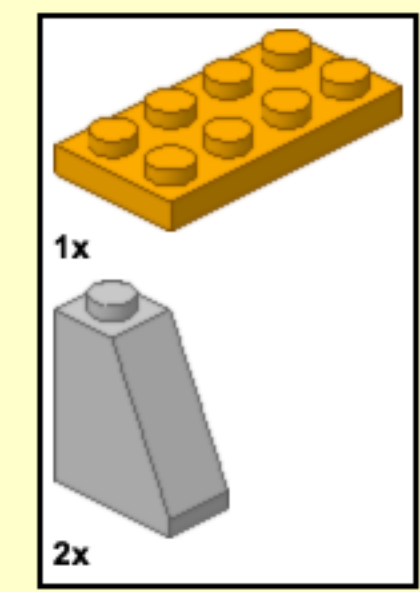




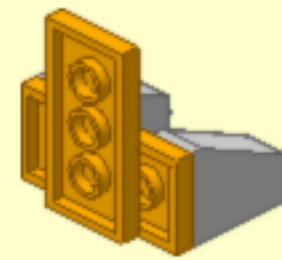
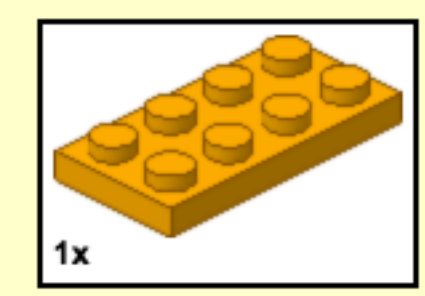
- 2x 
- 2x 
- 2x 



1

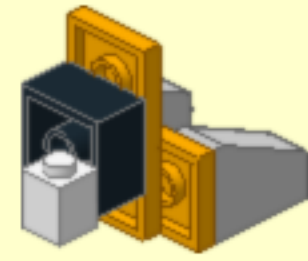
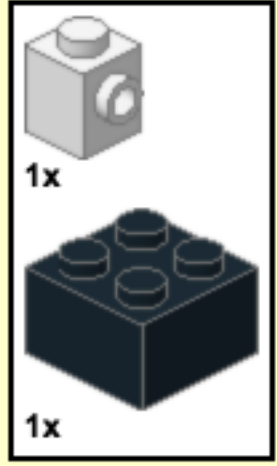


2

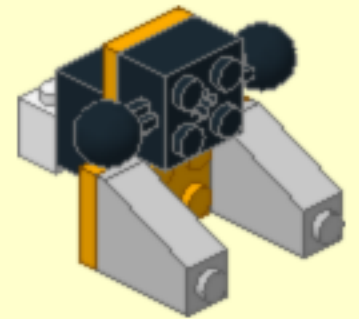
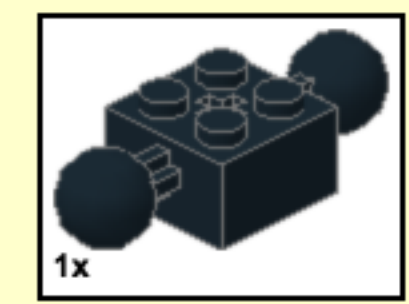




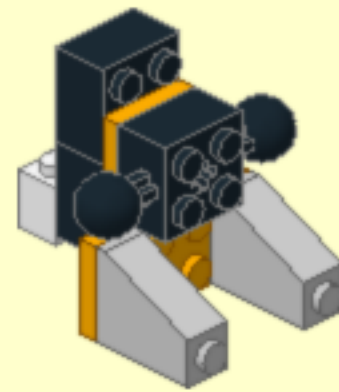
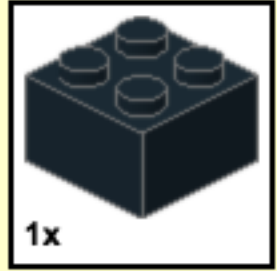
3



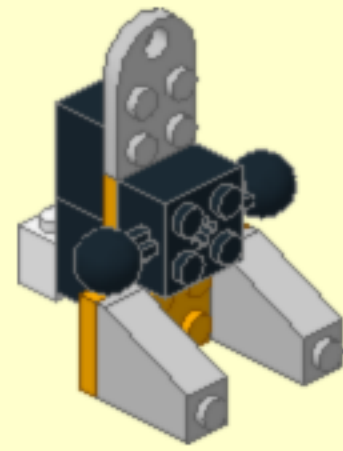
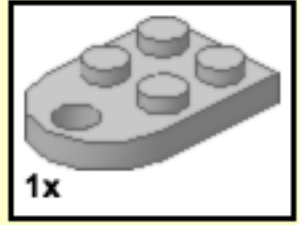
4



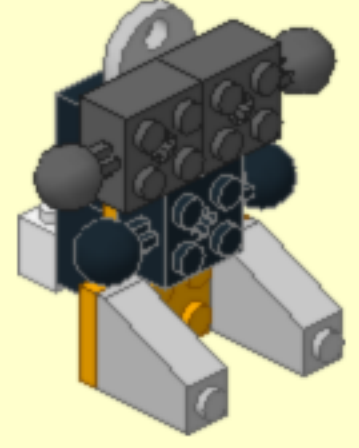
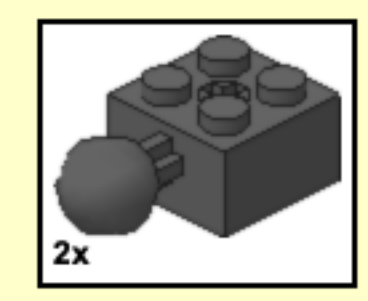
5



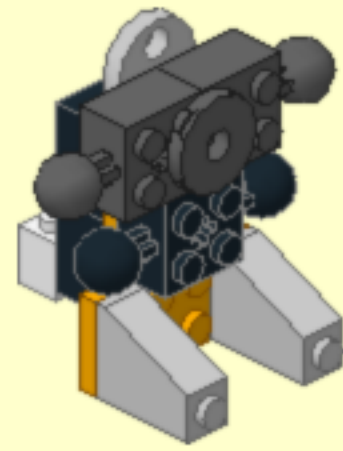
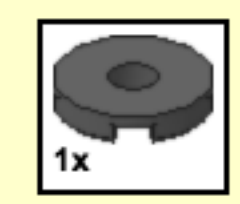
6



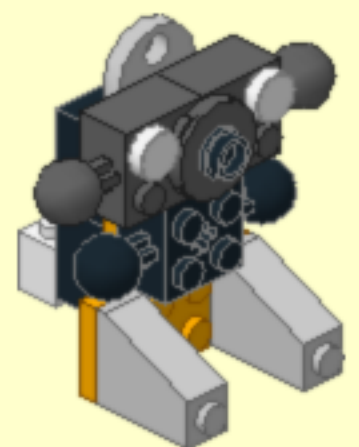
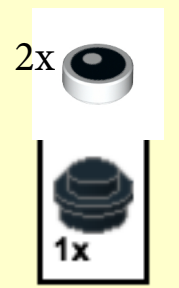
7

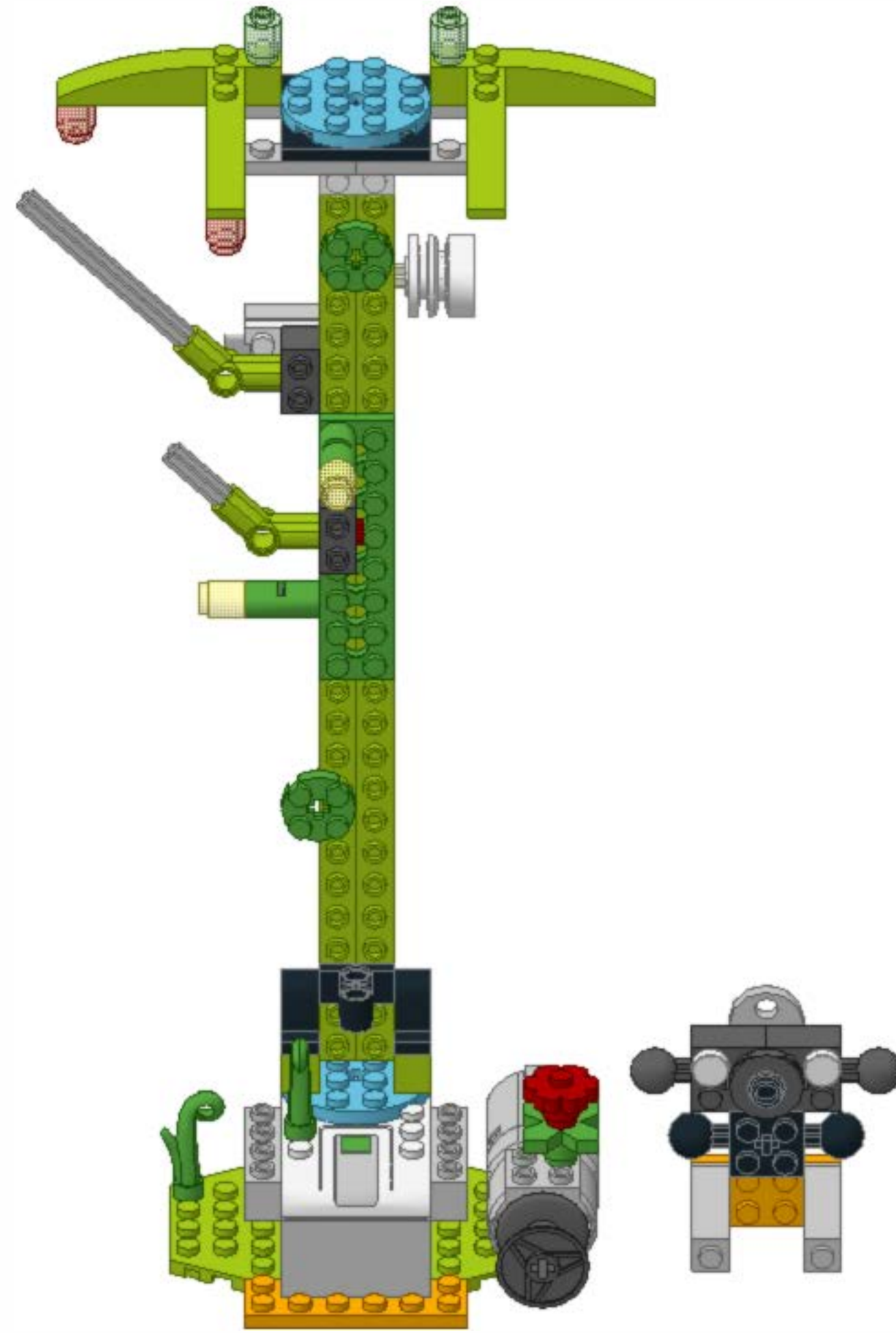
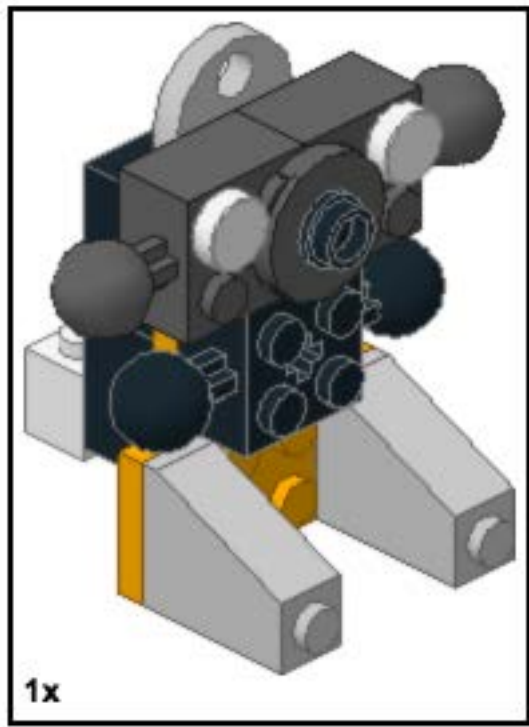


8



9







27b

