

Busbar 250 A 2P with 6 or 12 screws, with cover

www.victronenergy.co.nz



Busbar 250 A 2P with 6 screws

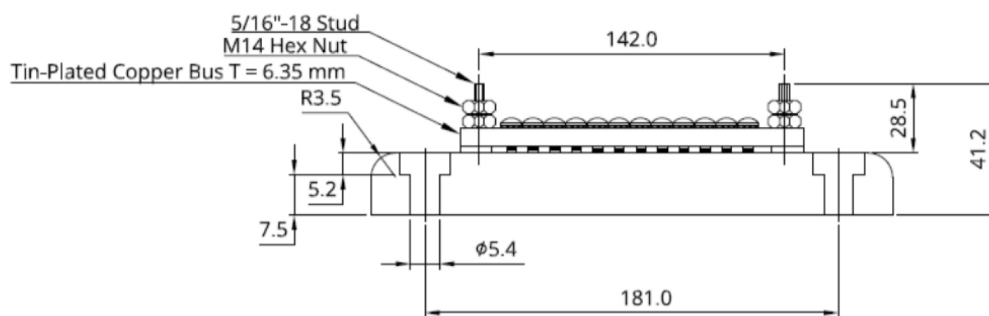
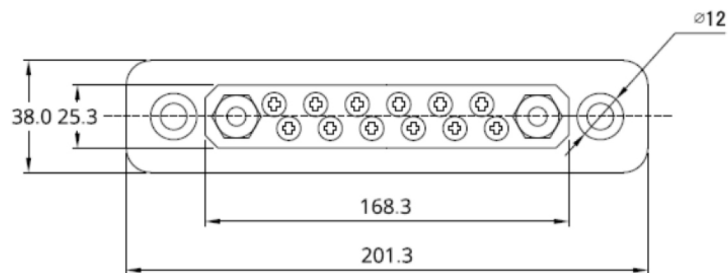


Busbar 250 A 2P with 12 screws



Cover for busbar 250 A with 12 screws

Busbar 250 A 2P with 6 or 12 screws, with cover	
Max. current rating	250 A
Max. Voltage rating	70 VDC
Terminal stud diameter	5/16 inch / 8 mm
Terminal height	0.67 inch / 17 mm
Terminal material	Stainless steel
Hex nut material	Tin-plated copper
Recommended torque	110 lbf-inch / 13 N-m
Terminal screws	10-24 / 4,8 mm
Terminal material	Stainless steel
Busbar strip material	Tin-plated copper (6,35 x 25 mm)
Base material	ABS, black, UL 94 V-0
Cover material	ABS, black, UL 94 V-2
Weight (6 screws)	0,55 lb / 0,25 kg
Weight (12 screws)	0,77 lb / 0,35 kg
Dimensions (6 screws) (hxwd) (without cover)	1.6 x 6 x 1.5 inch 42 x 153 x 38 mm
Dimensions (12 screws) (hxwd) (without cover)	1.6 x 7.9 x 1.5 inch 41 x 201 x 38 mm
Dimensions (6 screws) (hxwd) (with cover)	1.9 x 9.4 x 2.8 inch 65 x 216 x 86 mm
Dimensions (12 screws) (hxwd) (with cover)	1.9 x 9.4 x 2.8 inch 48 x 237 x 70 mm



Busbar 250 A 2P with 12 screws