

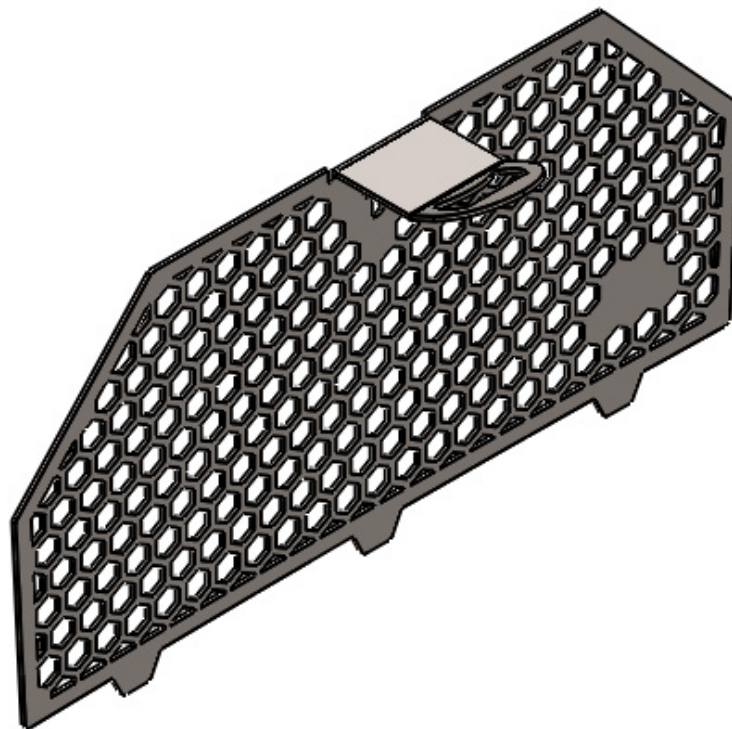
# INSTRUCTIONS

**Grille // 3.01.0X.0X.XX**

## Safety Warning

Read all instructions and safety warnings prior to installation. Failure to do so could result in product damage, personal injury or even death.

- Stay alert! Watch what you are doing and use common sense while handling this product.
- Inspect product for damage prior to installation, do not use if product is in unsafe condition.
- Do not install product while under the influence of drugs, alcohol or medication.
- Always use safety equipment to prevent injuries. Approved face and eye protection must always be worn by the installer, as well as others in the work area.
- Do not over reach. Keep proper footing and balance at all times.
- Dress properly. Do not wear loose clothing or jewelry. Keep your hair, clothing and gloves away from moving parts.
- Keep your work area clean and well lit.



# INSTRUCTIONS

**Grille // 3.01.0X.0X.XX**

## Installation Instructions

### Videos

Scan this QR code with your phone's camera to watch an installation video.

[jansenmotorsports.com](http://jansenmotorsports.com)



### Tools Required

- 5/16" nut driver

- 1** Remove OEM Grille.
- 2** Position clamp assembly (**figures 1**).
- 3** Tighten both self-tapping screws using the 5/16" nut driver.
- 4** Turn the thumb screw in to the vertical orientation.
- 5** Place the new grille in to position making sure the thumb screw passes through the cut out in the grille.
- 6** Apply force to the grille while turning the thumb screw 90 degrees to secure the grille.

**Note:** Thumb screw may require adjustment to hold the grille secure. Using a 7/16" wrench, hold the nyloc nut on the back side of the clamp assembly and turn the thumb screw accordingly.

Here at Jansen Motorsports, your satisfaction is our number one priority. Should you have any questions about this or any of our products, please call us at 1.800.756.7717.

**1a**



**1b**



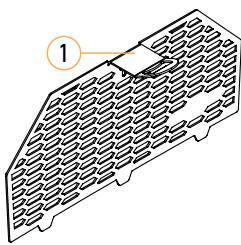
**1c**



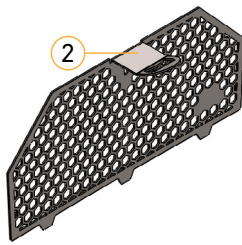
# INSTRUCTIONS

**Grille // 3.01.0X.0X.XX**

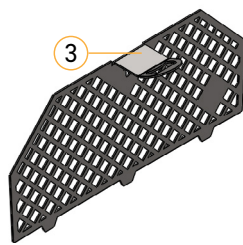
## Parts Breakdown



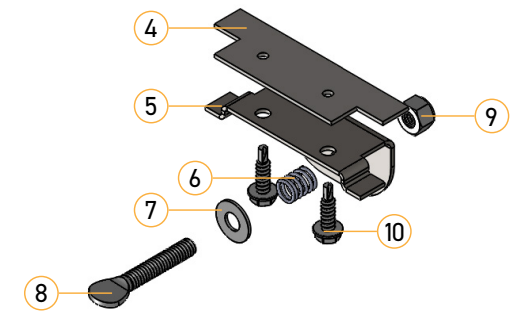
3-01-01-XX



3-01-02-XX



3-01-03-XX



Each grille below is sold separately:

Item No.	Part No.	Description	Qty.
1	3-01-01-XX	Grille	1
2	3-01-02-XX	Grille	1
3	3-01-03-XX	Grille	1

Each grille ships with the following:

Item No.	Part No.	Description	Qty.
4	3-CLAMP-01A	Clamp	1
5	3-CLAMP-01B	Clamp	1
6	3-SPRING-01	Spring	1
7	3-WASHER-01	Nyloc Washer	1
8	3-SCREW-1	Scew	1
9	3-NUT-1	Nyloc Nut	1
10	3-SCREW-02	Screw	2

Made In Canada | 160-34434 McConnell Road, Abbotsford, BC V2S 7P1 | A **TIGER TOOL** Brand