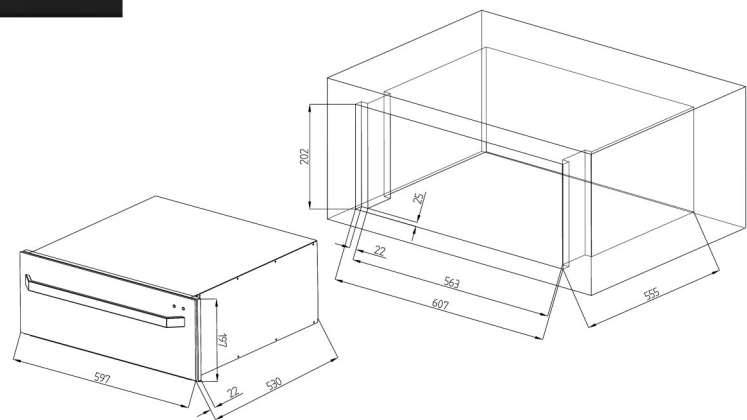
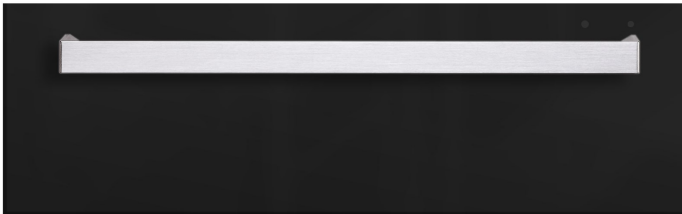


Black Glass Warming Drawer — WD200BBS



Product Specifications*

Finish	Black glass
Dimensions	597 x 197 x 530mm
Capacity	6 place settings 20 kg max load
Standard Accessories	Anti-slip mat
Features	Warms plates, cups, saucers up to 20 kg load Can be used to keep food warm or proof dough Time control (up to 120 minutes) Adjustable temperature settings (to 75 C) Removable anti-slip mat
Warranty	3 years

*Specifications and product size may change without notice. Shinda International is not responsible for any errors or omissions.

All dimensions and images are for illustrative purposes and cut-outs should be based on physical product measurements.