

TH902S



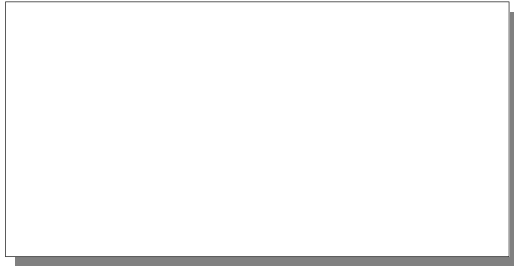
*TELESCOPIC HOOD*

**USER'S MANUAL**

**INSTRUCTIONS FOR INSTALLATION  
AND USE**



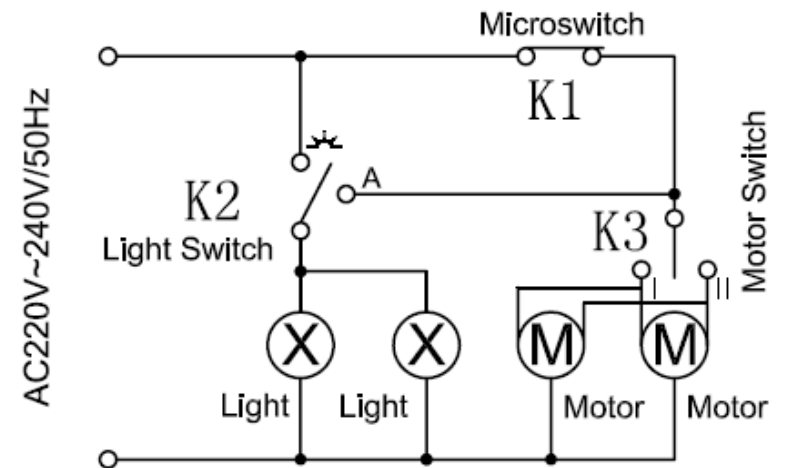
For original parts & reliable service:



## Table of Contents

- From the Manufacturer 3
- Specifications 3
- SAFETY : Read this first ! 4, 5
- Vent System Requirements 5
- Ducted vs. Re-circulating 6, 7
- Description of Parts 8
- Instruction for Use 9
- Technical Information 10
- Installation 11
- Cleaning & Maintenance 12, 13
- Troubleshooting 14
- Schematic Diagram 15

## Schematic Diagram



## Troubleshooting

Symptoms	Possible Cause	Action
Does not function	No electrical supply	Check that the plug is connected.
		Check that the main switch is turned on.
Poor airflow	Aluminum filters grease clogged	Clean the filters and replace when it is dry
	Charcoal grease filters clogged	Replace charcoal filters with new sets
Motor running but no airflow	Butterfly valve jammed	Contact technician
Motor cuts after a few minutes	High temperature safety device activated	The kitchen is not sufficiently ventilated
	The hood is installed too near the cooking stove	The hood must be at least 65cm from stove
Strong cooking smell	Charcoal filters not installed	In re-circulating mode, charcoal filters must be installed
Oil dripping onto stove	Aluminum grease filter saturated	Wash the aluminium grease filters
	Aluminum grease filter saturated	Wash the aluminium grease filters
Whirring sound	Foreign object in contact with fan blade	Contact technician

## From the Manufacturer

- This appliance and its packaging are produced by processes that minimize waste and respect the environment.
- Please help us to continue the protection of the environment by disposing of the packaging in a correct manner.
- **Safety!**
- Please do not allow young children to play with the plastic bag packaging.
- Before disposing of any old appliances, be sure to cut off the power chord so that others will not be endangered by a defective electric appliance.

## Specifications

Input : 240V 50Hz

Absorption : 2 X 85W

Lamps : 2 X 40W

Total Power : 250W

External Dimensions : 900x280x180mm

## **SAFETY : Read this First !**

- Do not connect the appliance if there are obvious signs of transportation damage.
- Read this user manual thoroughly before attempting to use this appliance.
- Installation and repair should be attempted only by qualified technical personnel.
- It is dangerous to modify any part of this appliance.
- The manufacturer declines all responsibility in case of failure to adopt proper safety measures.
- Ensure the location in which this appliance is installed has good, permanent ventilation.
- The distance between the bench top to the lower part of the hood must not be at less than 65 cm or higher than 75 cm.
- Use an electrical connector with earth that is correct for your location.
- Check that the voltage in your area is correct before plugging in.
- The electrical connection of this appliance must be connected to earth.

<b>Green &amp; yellow</b>	<b>=</b>	<b>EARTH</b>
<b>Blue</b>	<b>=</b>	<b>NEUTRAL</b>
<b>Brown</b>	<b>=</b>	<b>LIVE</b>

- Multiple plugs and extension cables must not be used. Overload is dangerous and may cause fire.
- Ensure that the power supply chord is free from any heat source or sharp objects.
- The appliance should be switched off and the electrical supply disconnected before any cleaning or maintenance work can be carried out.
- This appliance is not intended for use by persons (including children) with reduced physical, sensory or mental capabilities, or lack of experience and knowledge, unless they have been given supervision or instruction concerning use of the appliance by a person responsible for their safety.

Children should be supervised to ensure that they do not play with the appliance.

## **Cleaning & Maintenance** (continued)

### **Activated charcoal filter**

To install the charcoal filter, the motor anchorage is made to coincide with the anchor points of the activated charcoal filter, inserting and locking into place. The carbon filter lasts from three to six months depending on the particular conditions of use.

The activated carbon filter can neither be exhausted, it must be changed. Once it is exhausted, it must be changed.

### **Changing Lamp**

Remove the filter support to access the lamp.

Take care to disconnect the mains beforehand and that the lamp to be replaced are not hot.

The maximum lamp power is 40W.

## **Cleaning & Maintenance**

Before carrying out any cleaning or maintenance activities, ensure that the appliances is disconnected from the mains and follow the safety Instructions.

### **Filter Cleaning**

To withdraw the filters from their locations release the anchoring points. Clean the filter either putting in the dishwasher (refer to notes) or leaving it standing in hot water to simplify the removal of grease or, if wished, by means of special sprays (protecting the non metallic parts). Once clean, leave it to dry.

Notes: cleaning in the dishwasher with aggressive detergents may blacken the surface of metallic parts, without this affecting its gas retaining properties.

The filter must be cleaned at least once a month depending on how often the appliances is used. It must be remembered that grease is deposited in the extractor when cooking, whether it is switched on or not.

### **Cleaning the appliances body**

The use of (40°C approx.) soapy water is recommended. A cloth moistened in this water is used for cleaning the extractor, paying special attention to the grids and dry it using a lint-free cloth.

Note: Never use metallic scouring pads or abrasive products that could damage the surface.

**Do not use scrapers with metallic surfaces such as knives, scissors etc.**

## **SAFETY : Read this First !** (Continued)

- If the supply cord is damaged, it must be replaced by the manufacturer, its service agent or similarly qualified persons in order to avoid a hazard.  
There is a risk of catching fire if cleaning is not carried out in accordance to the frequency suggested and as per instructions.

## **Vent System Requirements**

Determine which venting method is best for your application. The vented (non-recirculating) system must be terminate to the outside. Ductwork can extend either through the wall or the roof. Do not terminate the vent system in an attic or other enclosed areas.

The length of the ductwork and the number of elbows should be kept to a minimum to provide efficient performance. The size of the ductwork should be uniform. Do not install two elbows together. Use duct tape to seal all joints in the ductwork system. Use caulking to seal the exterior wall or floor opening around the cap.

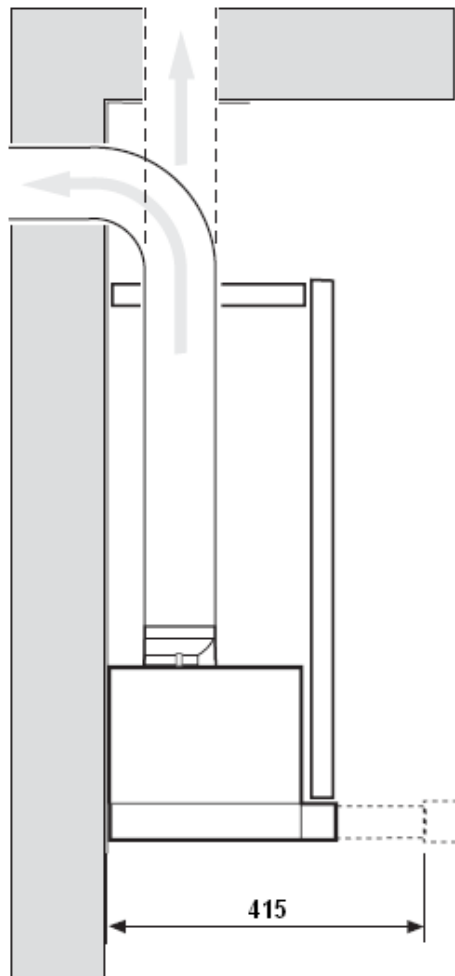
Make sure there is proper clearance within the wall or floor for exhaust duct before making cutouts. Do not cut a joist or stud unless absolutely necessary. If a joist or stud must be cut, then a supporting frame must be constructed.

## Ducted vs. Re-circulating

Your cooker hood can be configured to operate in the ducted or re-circulating mode, Depending on model.

### A. DUCTED MODE (VENTED MODE)

- In the ducted mode, cooking fumes are vented outdoors through suitable connection of 125mm diameter. In this mode, only the aluminum filters are installed.



## Installation

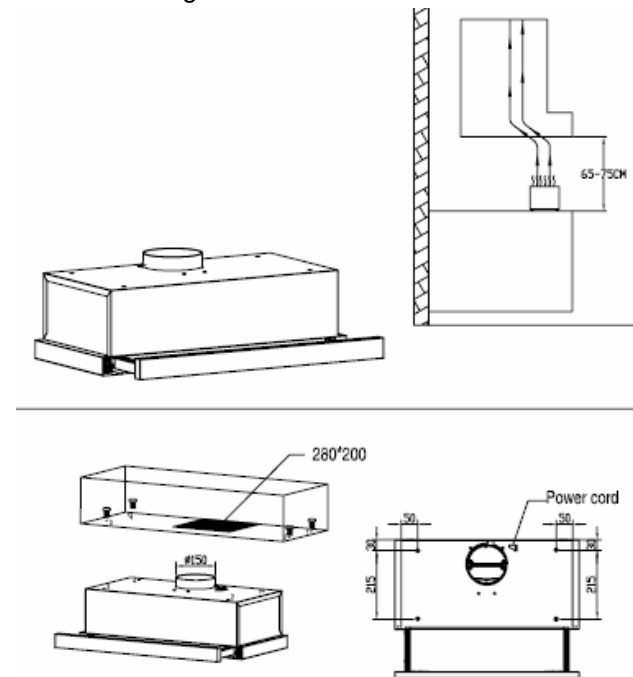
To fix the extractor to the kitchen unit.

The lower part of the extractor must be located at a minimum height of 60cm above the hob for electric cookers and 65cm for gas cookers. If the instructions of a gas cooker indicate a greater distance these must be observed.

When the extractor is working at the same time as other non-electrical cooking equipment, the outlet air pressure must not exceed 4 Pa.

To achieve optimum performance the length of the outlet hose should not exceed 4 meters, or include more than two 90 angles (elbows)

Although venting to the outside is recommended, activated carbon filters may be used, which allow the gas to be returned to the kitchen through the outlet pipe.

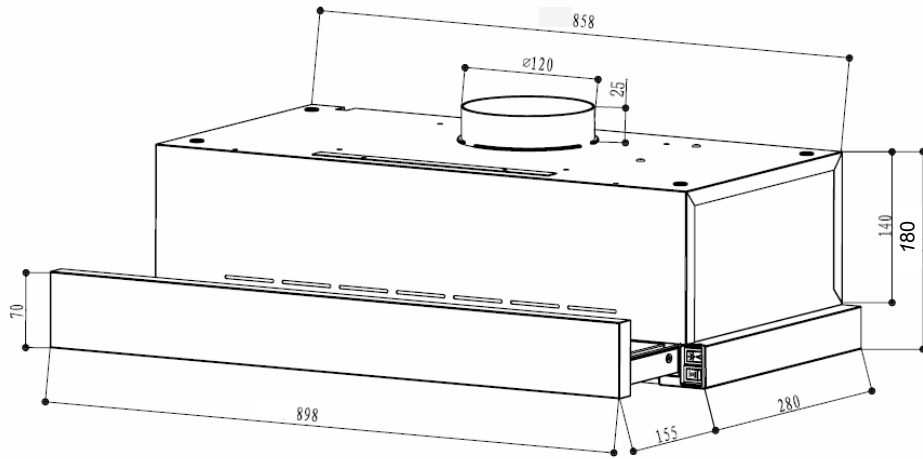


## Technical Information

Dimensions	Width	=	900 mm
	Depth	=	280 mm
	Height	=	180 mm

Filter : Aluminium & Charcoal (Optional)

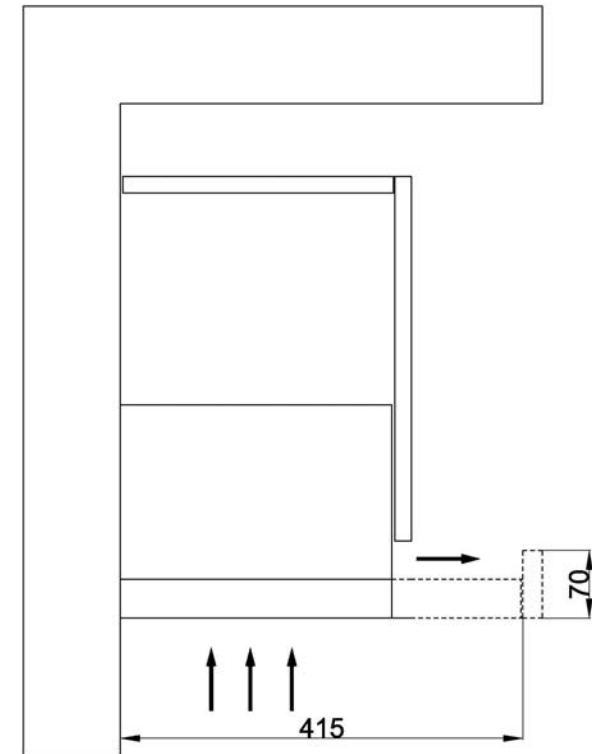
# TH902S



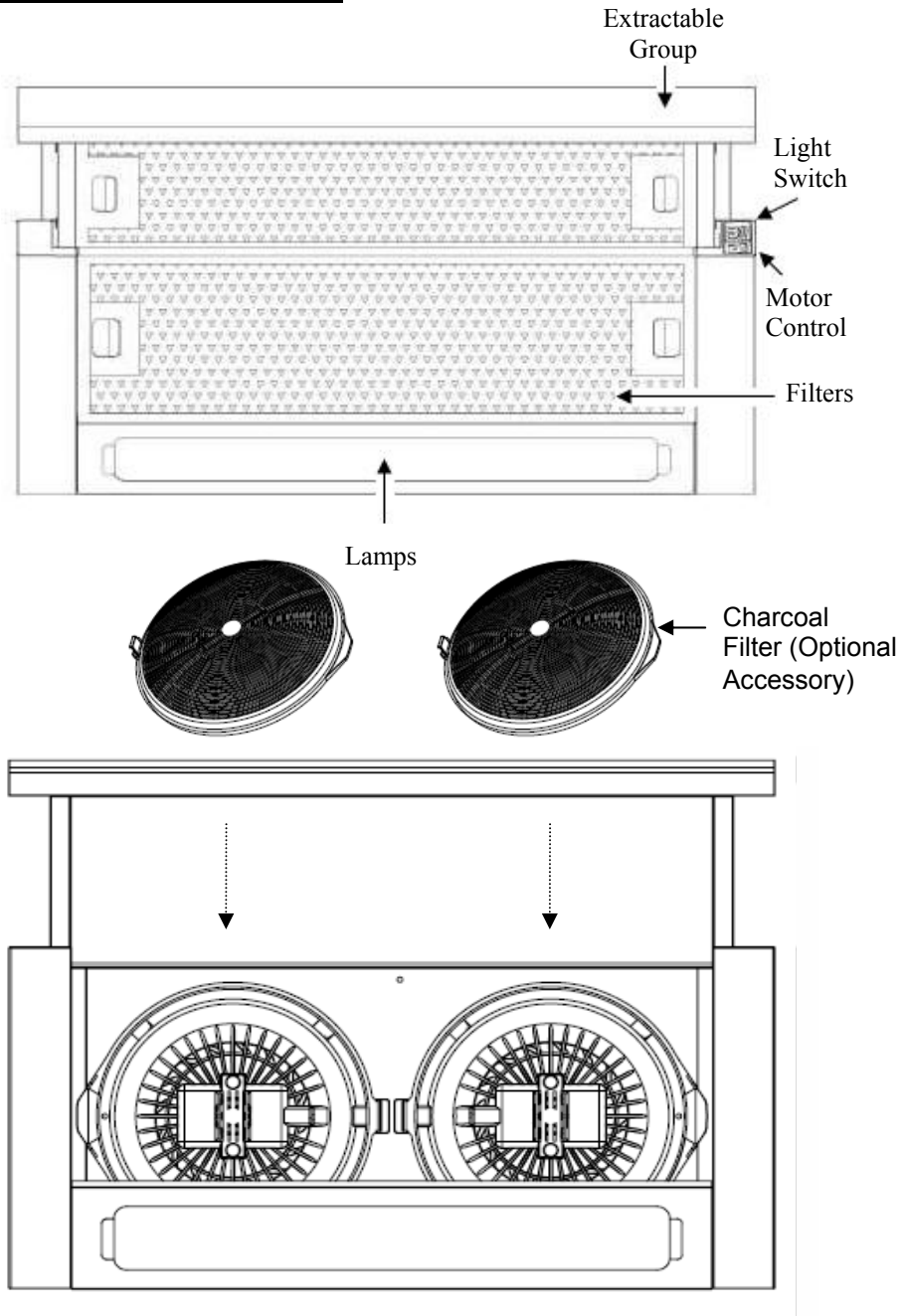
## Ducted vs. Re-circulating (Continued)

### **B. RE-CIRCULATING MODE** (Depending on model)

- Fumes are filtered for grease and odors through the aluminum grease filters and the charcoal filters respectively and re-introduced into the kitchen environment. In re-circulating mode, both the aluminum grease filters and the charcoal filters must be installed.

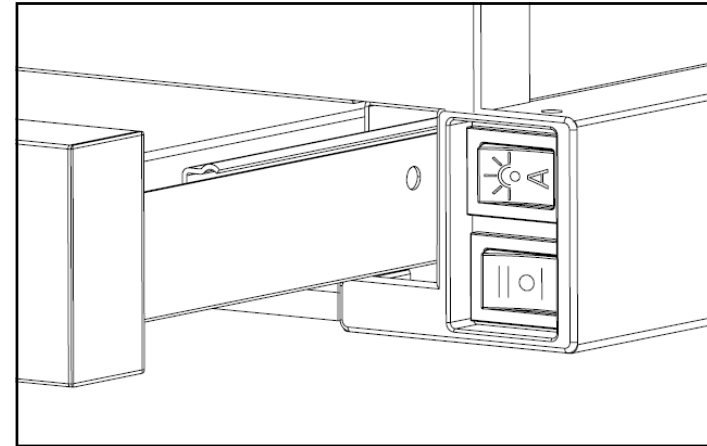


## Description of Parts



## Instructions for Use

By pressing the button shown in the below, you will be able to control the functions of the extractor.



### Light



ON



Off



Automatic

### Speed



Low



Off



High

To achieve better results, it is recommended to switch the hood on for 3-5 minutes before cooking starts. This is to ensure continuous and stable air flow.

Likewise, let the hood run for a few minutes after cooking.