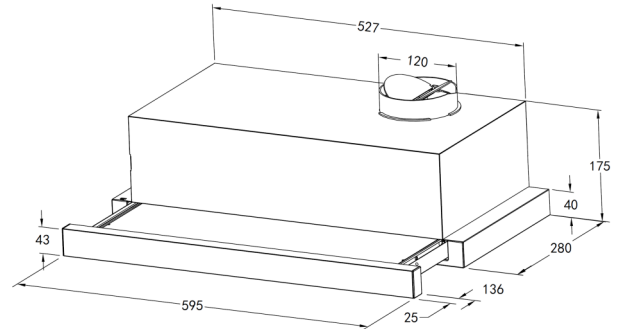


Telescopic Rangehood 600mm— TH602MSL



Product Specification

Finish	Stainless steel
Dimensions	595(W) x 305mm(D) (441mm fully extended) 43mm stainless steel fascia
Power Source	10 amp
Installation	Built in, integrated fascia
Ducting	Ducted only
Flue Diameter	120mm
Capacity	220m ³ /hr
Motor	125 watt motor
Noise Rating	<63dB
Speeds	2 speed mechanical controls
Filter	2 x Aluminium filter, removable and washable
Illumination	LED
Warranty	3 years