

DiLUSSO



TH601SS

TELESCOPIC HOOD

USER MANUAL

INSTALLATION INSTRUCTIONS

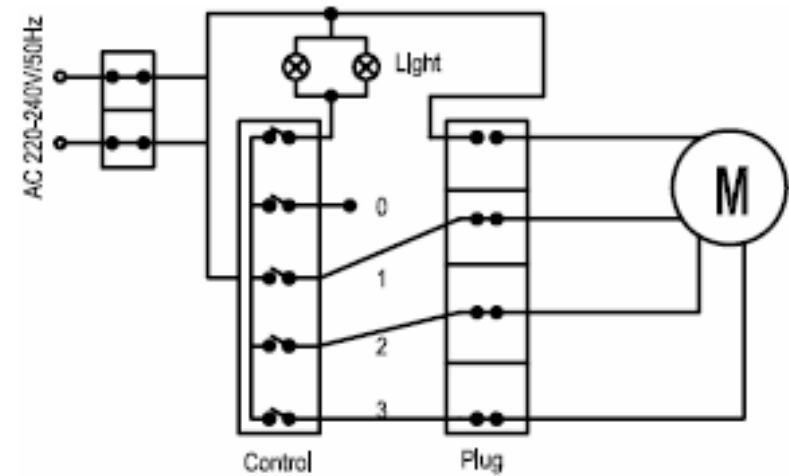
To avoid the risk of accident or damage to the appliance, it is **essential** to read the following instruction prior to product installation and / or first time usage



Table of Contents

- From the Manufacturer 3
- Specifications 3
- SAFETY : Read this first ! 4, 5
- Vent System Requirements 5
- Ducted Mode 6
- Description of Parts 7
- Instruction for Use 8
- Technical Information 9
- Installation 10
- Cleaning & Maintenance 11
- Troubleshooting 12
- Schematic Diagram 13

Schematic Diagram



Troubleshooting

Symptoms	Possible Causes	Action
Does not function	No power supply	Check that the plug is connected
		Check that the main switch is turned on
Poor airflow	Aluminum filters grease clogged	Clean the filters and fix it back when it is dry
Motor running but no airflow	Butterfly valve jammed	Contact technician
Motor cuts off after a few minutes	High temperature safety device activated	The kitchen is not sufficiently ventilated
	The hood is installed too near the cooking stove	The hood must be at least 65cm above the stove
Oil dripping onto stove	Aluminum grease filter saturated	Clean the filters and fix it back when it is dry
Whirring sound	Foreign object in contact with fan blade	Contact technician

From the Manufacturer

- This appliance and its packaging are produced by processes that minimize waste and is environmental friendly.
- Please do the same to protect our environment by disposing the packaging in the correct manners.
- **Safety!**
- Do not allow young children to play with the plastic packaging.
- Before disposing any old appliances, make sure that power chord is being cut off.

Specifications

Input	:	220-240V~ 50Hz
Absorption	:	85W
Lamps	:	2 x 40W
External Dimensions	:	600x280x180mm

SAFETY : Read this First !

- Do not connect the appliance if there is any obvious sign of transportation damage.
- Read this user manual thoroughly before attempting to use the appliance.
- Installation and repair should be attempted only by qualified technical personnel.
- It is dangerous to modify any part of this appliance.
- The manufacturer declines all responsibility in case of failure to adopt proper safety measures.
- Ensure the location in which this appliance is installed has good, permanent ventilation.
- The distance between the bench top to the lower part of the hood must not be less than 65 cm or higher than 75 cm.
- Product must be earthed correctly.
- Check that the voltage rating before plugging in the appliance.
- Electrical connection :

Green & yellow	=	EARTH
Blue	=	NEUTRAL
Brown	=	LIVE
- Multiple plugs and extension cables must not be used. Overload is dangerous and may cause fire.
- Ensure that the power supply chord is free from any heat source or sharp objects.
- The appliance should be switched off and the electrical supply has to be disconnected before any cleaning or maintenance work can be carried out..
- This appliance is not intended for use by persons (including children) with reduced physical, sensory or mental capabilities, or lack of experience and knowledge, unless they have been given supervision or instruction concerning the use of the appliance by a person responsible for their safety.
Children should be supervised to ensure that they do not play with the appliance.

Cleaning & Maintenance

Before carrying out any cleaning or maintenance activities, ensure that the appliances is disconnected from the mains and follow the safety Instructions.

Filter Cleaning

To withdraw the filters from their locations release the anchoring points. Clean the filter either putting in the dishwasher (refer to notes) or leaving it standing in hot water to simplify the removal of grease or, if wished, by means of special sprays (protecting the non metallic parts). Once clean, leave it to dry.

Notes: cleaning in the dishwasher with aggressive detergents may blacken the surface of metallic parts, without this affecting its gas retaining properties.

The filter must be cleaned at least once a month depending on how often the appliances is used. It must be remembered that grease is deposited in the extractor when cooking, whether it is switched on or not.

Cleaning the appliances body

The use of (40°C approx.) soapy water is recommended. A cloth moistened in this water is used for cleaning the extractor, paying special attention to the grids and dry it using a lint-free cloth.

Note: Never use metallic scouring pads or abrasive products that could damage the surface.

Do not use scrapers with metallic surfaces such as knives, scissors etc

Changing Bulbs

Remove the filter support to access the bulbs.

Take care to disconnect the mains beforehand and that the bulbs to be replaces are not hot.

The maximum bulbs power is 40W.

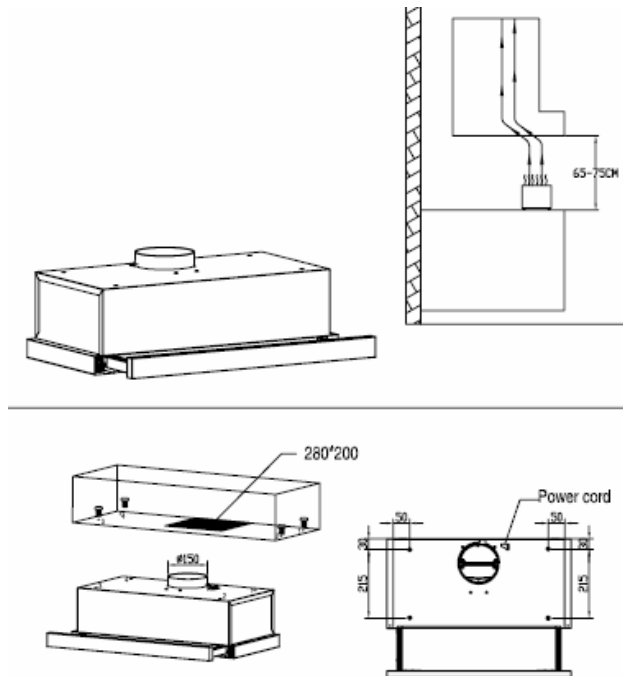
Installation

To fix the extractor to the kitchen unit.

The lower part of the extractor must be located at a minimum height of 60cm above the hob for electric cookers and 65cm for gas cookers. If the instructions of a gas cooker indicate a greater distance these must be observed.

When the extractor is working at the same time as other non-electrical cooking equipment, the outlet air pressure must not exceed 4 Pa.

To achieve optimum performance the length of the outlet hose should not exceed 4 meters, or include more than two 90 angles (elbows)



SAFETY : Read this First ! (Continued)

- If the supply cord is damaged, it must be replaced by the manufacturer, its service agent or similarly qualified persons in order to avoid hazard.
- There is a risk of catching fire if cleaning is not carried out in accordance with the frequency suggested and as per instructions.
- The hood is designed to be used for four hob elements at most.

Vent System Requirements

The vented system must be terminated to the outside. Ductwork can extend either through the wall or the roof. Do not terminate the vent system in an attic or other enclosed areas.

The length of the ductwork and the number of elbows should be kept to a minimum to provide efficient performance. The size of the ductwork should be uniform. Do not install two elbows together. Use duct tape to seal all joints in the ductwork system. Use caulking to seal the exterior wall or floor opening around the cap.

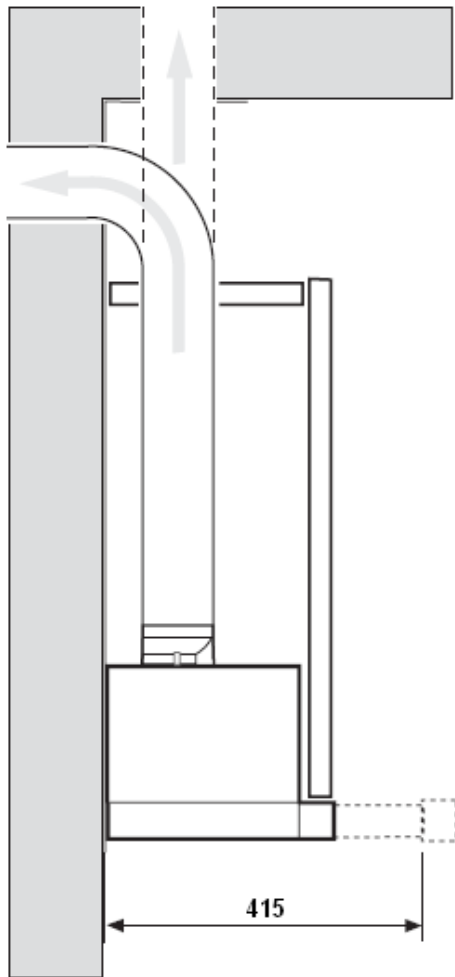
Flexible ductwork is not recommended. Flexible ductwork creates back pressure and air turbulence that greatly reduces performance.

Make sure there is proper clearance within the wall or floor for exhaust duct before making cutouts. Do not cut a joist or stud unless absolutely necessary. If a joist or stud must be cut, then a supporting frame have to be constructed.

Ducted Mode

Your cooker hood is configured to be operated in the ducted mode. Cooking fumes are vented outdoors through suitable connection of 125mm diameter.

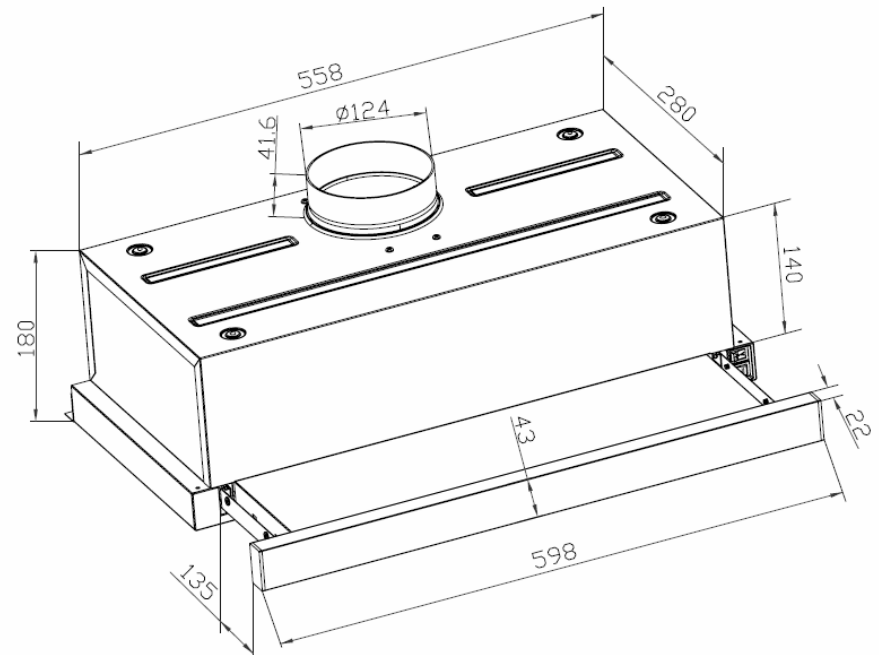
In this mode, only the aluminum filters are installed.



Technical Information

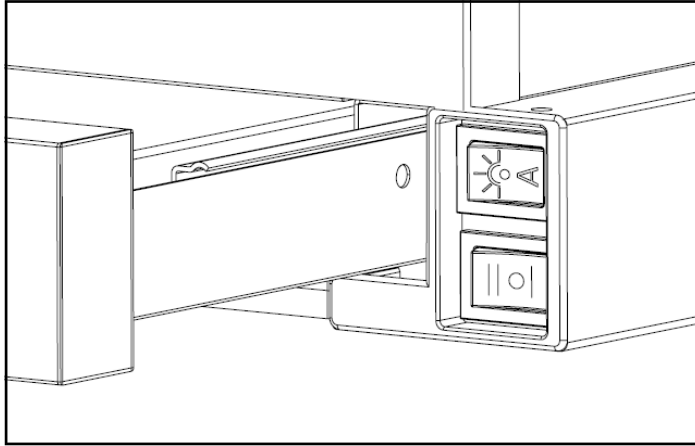
Dimensions	Width	=	600 mm
	Depth	=	280 mm
	Height	=	180 mm

TH601SS



Instructions for Use

By pressing the button shown below, you will be able to control the functions of the extractor.



Light



ON



Off



Automatic

Speed



Low



Off



High

To achieve better results, it is recommended to switch the hood on for 3-5mins before cooking starts. This is to ensure continuous and stable air flow. Likewise, let the hood run for a few minutes after cooking.

Description of Parts

