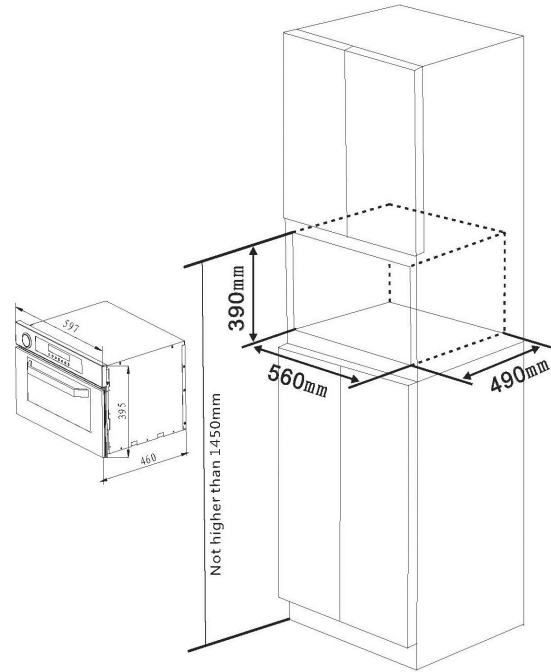


Built in Steam Oven – SO60SBBI



Product Specifications *

Finish—Exterior	Fingerprint-resistant stainless steel
Finish—Interior	Full stainless steel
Dimensions	597 x 395 x 460mm (product) 560 x 390 x 550mm
Capacity	33L
Power Source	Electricity 10 amp plug in
Standard Accessories	2 x stainless steel racks 1 x stainless steel perforated tray 1 x stainless steel solid tray
Levels	3 levels
Features	Extra large oven capacity Digital touch LED controls Water reservoir can be topped up during use Patented built-in water reservoir and filling mechanism Warning alarm when reservoir is full or near empty Water reservoir drains automatically via flip-out spout Auto shut-off when oven door is opened
Warranty	3 years

*Specifications and product size may change without notice. Shinda International is not responsible for any errors or omissions.

All dimensions and images are for illustrative purposes and cut-outs should be based on physical product measurements.