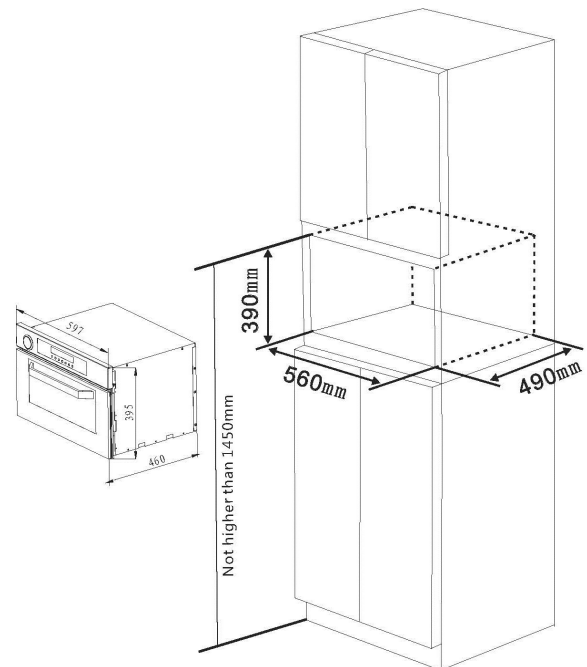


Built in Steam Oven – SO60BBBI



Product Specifications *

| | |
|----------------------|--|
| Finish—Exterior | Full black glass |
| Finish— Interior | Full stainless steel |
| Dimensions | 597 x 395 x 460mm (product) 560 x 390x 550mm (cut out) |
| Capacity | 33L |
| Power Source | Electricity 10amp plug in |
| Standard Accessories | 2 x stainless steel racks 1 x stainless steel perforated tray 1 x stainless steel solid tray |
| Levels | 3 Levels |
| Features | Extra large oven capacity Digital touch LED controls Water reservoir can be topped up during use Patented built-in water reservoir and filling mechanism Warning alarm when reservoir is full or near empty Water reservoir drains automatically via flip-out spout Over-heating protection system Auto shut-off when oven door is opened |
| Warranty | 3 years |

*Specifications and product size may change without notice. Shinda International is not responsible for any errors or omissions.

All dimensions and images are for illustrative purposes and cut-outs should be based on physical product measurements.