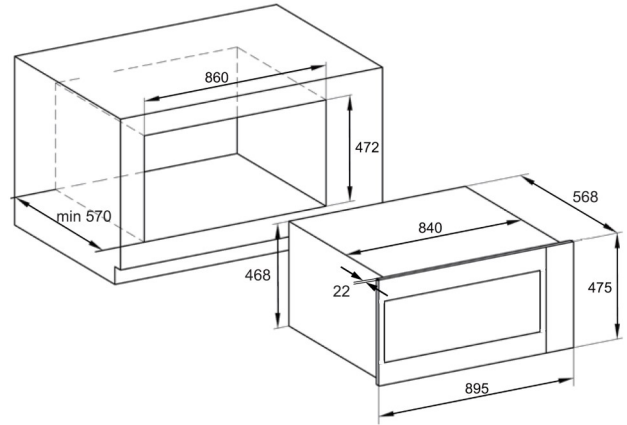
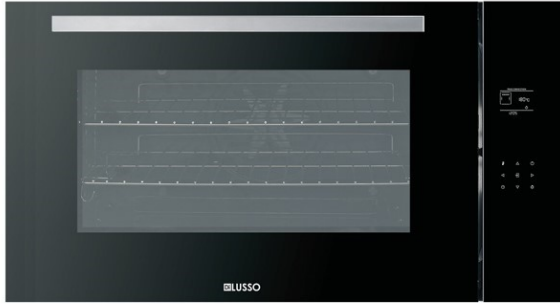


Built in 900mm Oven

Model: OV911TBL



* Specifications and product size may change without notice. Shinda Australia is not responsible for any errors or omissions. All dimensions and images are for illustrative purposes and cut-outs should be based on physical product measurements.

Product Specifications*

Finish - exterior	Black glass Triple glazed cool touch door	
Finish - interior	High grade easy clean enamel	
Dimensions	895(W) x 475(H) x 568mm(D) (product)	
Capacity	100L	
Power Source	Electricity 15amp	
Functions		
Standard Accessories	1 x telescopic rail 1 x telescopic rack 1 x baking tray	1 x grill insert 1 x tray handle 1 x multiple skewer rotisserie
Shelves	4 levels	
Features	12 function oven including fan forced Full digital touch controls Rotisserie Telescopic rail and rack Programmable digital timer Digital thermostat Digital clock Removable cool touch triple glazed door	
Warranty	3 years	