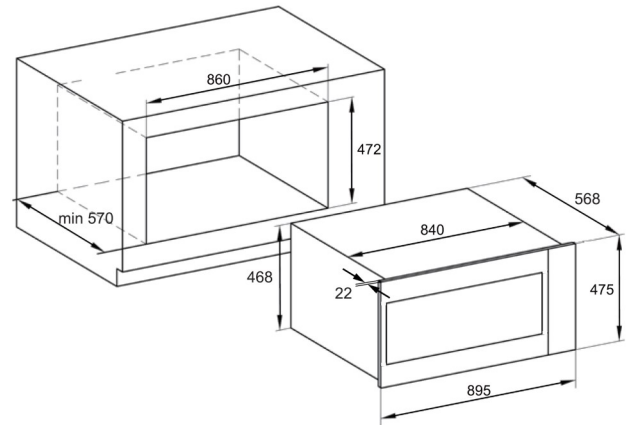


Built in 900mm Oven

Model: OV908DSL



* Specifications and product size may change without notice. Shinda Australia is not responsible for any errors or omissions. All dimensions and images are for illustrative purposes and cut-outs should be based on physical product measurements.

Product Specifications*

Finish - exterior	Fingerprint resistant stainless steel Triple glazed cool touch door	
Finish - interior	High grade easy clean enamel	
Dimensions	895(W) x 475(H) x 568mm(D) (product)	
Capacity	100L	
Power Source	Electricity 15amp	
Functions		
Standard Accessories	1 x telescopic rail 1 x telescopic rack 1 x baking tray	1 x grill insert 1 x tray handle 1 x multiple skewer rotisserie
Shelves	4 levels	
Features	9 functions including fan forced Rotisserie Telescopic rail and rack Programmable digital timer Digital thermostat Digital clock Removable cool touch triple glazed door	
Warranty	3 years	