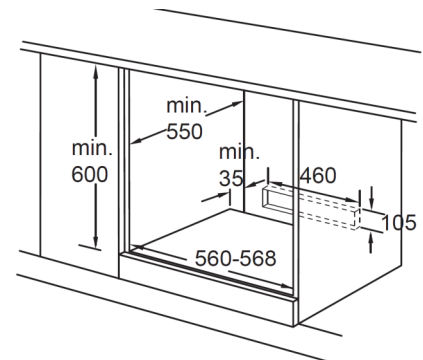
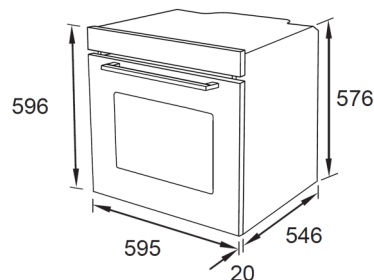


## Built in 600mm Oven - OV609DDB



\*Specifications and product size may change without notice. Shinda Australia is not responsible for any errors or omissions. All dimensions and images are for illustrative purposes and cut-outs should be based on physical product measurements.

202211

### Product Specifications\*

Finish — exterior	Black glass Triple glazed door
Finish — interior	High grade easy to clean enamel
Dimensions	595(W) x 596(H) x 546mm(D) (Product)
Capacity	82L gross / 72L nett
Power Source	Electricity 15 amp
Functions	
Standard Accessories	2 x wire racks 1 x baking tray 1 x grill insert 2 x telescopic rails (full extension)
Shelves	5 levels
Features	9 functions including fan forced Modern slim display panel Digital clock and programmable timer Oven ventilation system Triple glazed cool touch door Removable oven door for easy cleaning
Warranty	3 years