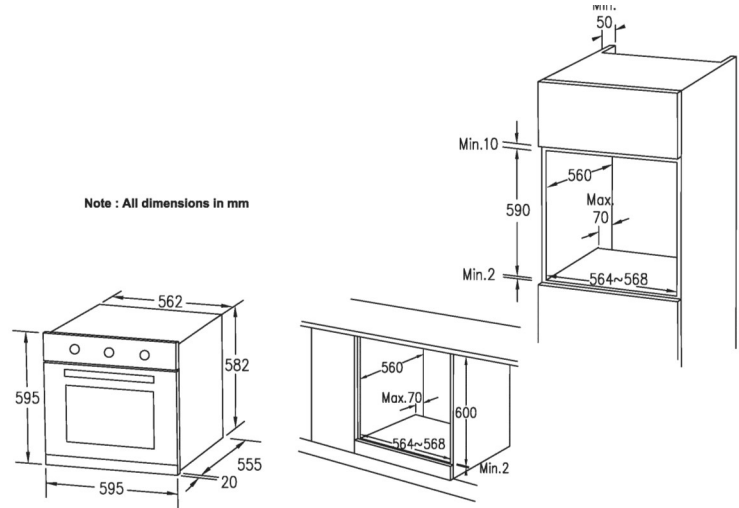


## Built in 600mm Oven - OV608MS



### Product Specifications \*

Finish—Exterior	Fingerprint resistant stainless steel Triple glazed door
Finish—Interior	High grade easy clean enamel
Dimensions	595 (w) X 595 (h) X 575mm (d)
Capacity	70L
Power Source	Electricity 15amp plug in
Functions	
Standard Accessories	2 x wire racks 1 x baking tray 1 x grill insert
Options	Triple Glazed Door
Shelves	10 levels
Features	4 cooking functions with mechanical timer 120min cooking timer Oven ventilation system Finger print resistant stainless steel Removable cool touch double glazed glass door
Warranty	3 years

\*Specifications and product size may change without notice. Shinda International is not responsible for any errors or omissions.

All dimensions and images are for illustrative purposes and cut-outs should be based on physical product measurements.