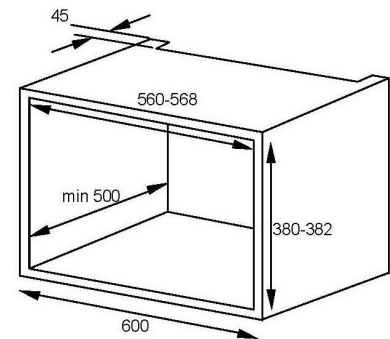
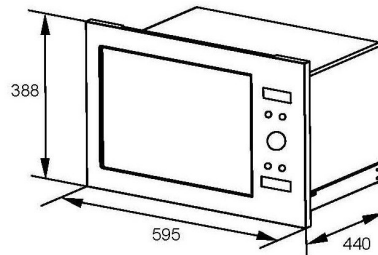


Microwave Oven with Grill —MOV28S2M



Product Specifications *

| | |
|--------------|---|
| Finish | Stainless steel |
| Dimensions | 595 x 388 x 440mm |
| Capacity | 28L |
| Power Source | Electricity 10amp plug in |
| Controls | Digital and knob control |
| Functions | 900W microwave 1000w grill power 5 power levels 10 preset menu options |
| Features | True built-in microwave Glass turn-table Metal grill rack Programmable multistage cooking Programmable timer Auto weight defrost Child lock |
| Warranty | 3 years |

*Specifications and product size may change without notice. Shinda International is not responsible for any errors or omissions.

All dimensions and images are for illustrative purposes and cut-outs should be based on physical product measurements.