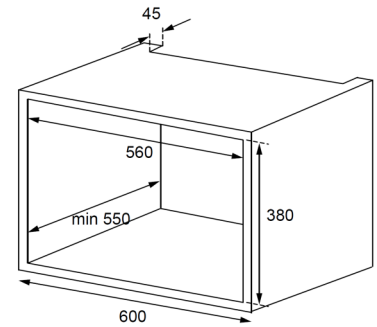
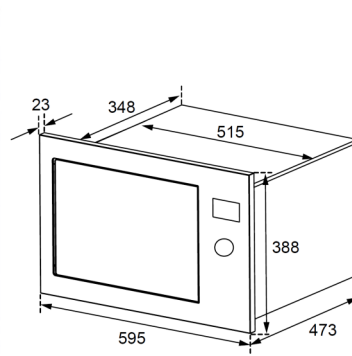


Combination Microwave Oven — MCO25FTB



Product Specifications

Finish	Black glass
Dimensions	594(W) x 388(H) x 475mm(D) (Product)
Power Source	10 amp
Controls	Touch controls
Capacity	25L
Features	<ul style="list-style-type: none"> Built in design 900W Microwave with turntable Fan Forced convection Grill Defrost Combination cooking 10 auto cook programs Stainless steel cooking chamber Digital clock and timer Child lock
Warranty	3 years