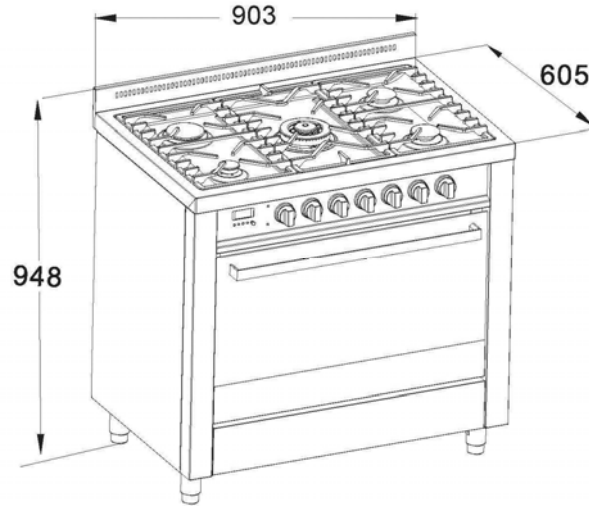



Freestanding Dual Fuel Cooker 900mm — FS909G5CSD



* Specifications and product size may change without notice. Shinda Australia is not responsible for any errors or omissions. All dimensions and images are for illustrative purposes and cut-outs should be based on physical product measurements.

Product Specifications*

Hob	5 burner gas cooktop with centre wok burner Cast iron trivets	Italian SABAF burners with FFD Triple ring wok burner Under knob ignition
Burners	Wok (12.5 mj/hr) Large (11.5mj/hr)	2 x Medium (6.7 mj/hr) Auxiliary (4.0 mj/hr)
Oven	98L capacity  High grade, easy clean enamel 10 Functions LED Programmable timer Triple glazed removable cool touch door Cavity Cooling System	
Dimensions	903 (W) x 605 (D) x 948mm (H)	
Power Source	Cooktop — Natural gas / LPG Oven — Electric	
Standard Accessories	4 x telescopic rails 2 x telescopic racks 1 x telescopic baking tray	1 x grill insert 1 x rack tong Pull out storage drawer
Options	Stainless steel kickboard	
Shelves	4 positions	
Warranty	3 years	