



Built-in Warming Drawer

WD200SSS

WD200BBS

Installation and Operating Manual

CONTENTS

Important Notes	Page 2
Installation Instructions	Page 3
Technical Specification	Page 4
Warming Drawer Overview	Page 4
Control Panel	Page 5
Cookware Safety	Page 6
Cleaning and Maintenance	Page 6
Troubleshooting	Page 7

Important Notes

Dear Customer

Thank you for choosing our product. This appliance is easy to use; however please read this handbook carefully before installing and operating it. Herein, you will find the correct method of installation and tips for best use and maintenance of the product.

- This appliance is designed to be handy for any adult to use at home. Do not allow children to play with it. Children need to be supervised when the product is in operation so that they do not go near the drawer and touch the hot surfaces.
- This product must be connected in accordance with current electrical regulations. A fixed wiring installation is to be done only by an authorized electrician.
- Before maintenance or cleaning of the product, disconnect the appliance from the mains and wait for the oven to cool down first.
- For any repairs, always contact authorized Customer Service Center and ask for original spare parts. Repairs by untrained people may lead to damage and void the warranty.

- **Power Connection:**

THE APPLIANCE MUST BE CONNECTED IN ACCORDANCE WITH CURRENT ELECTRICAL RULES AND REGULATIONS. INSTALLATION IS TO BE DONE ONLY BY AN AUTHORIZED ELECTRICIAN.

WARNING: THIS APPLIANCE MUST BE EARTHED

Means for disconnection must be incorporated in the fixed wiring in accordance with the wiring rules.

Before connecting to the mains, make sure that:

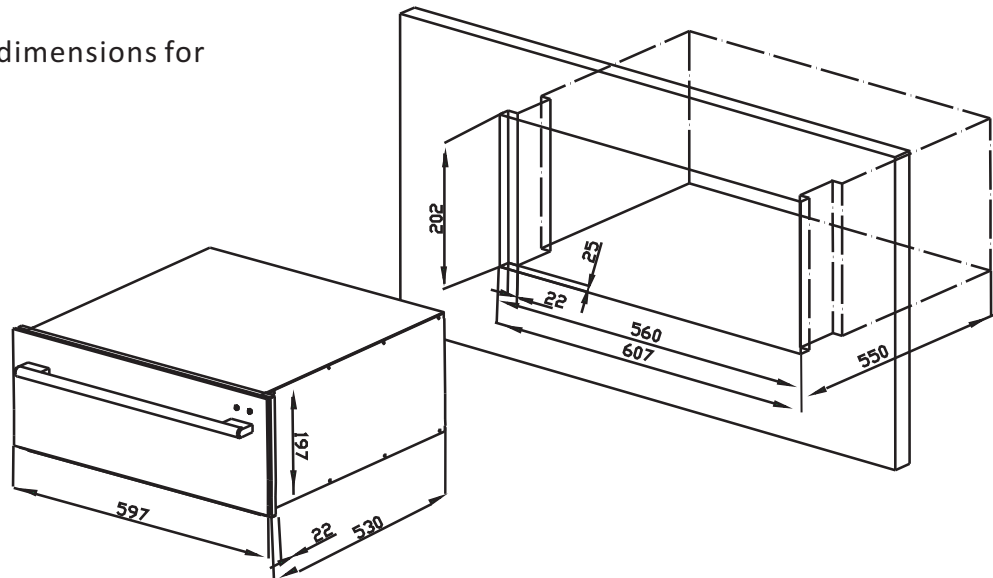
- The supply system is regularly earthed, according to the regulations in force.
- The isolation switch can easily be reached after the oven is installed.
- After connection to the mains, check that the supply cable does not overheat.
- Never use reductions, shunts, adaptors that can cause overheating or burning.

The manufacture shall not liable for any direct or indirect damage caused by faulty installation. The installer must ensure that the product installation and connection complies with the local and general regulation in force.

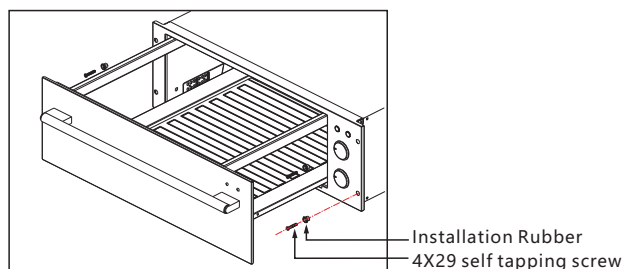
Installation Instruction

Product & cutout dimensions for

WD200SSS
WD200BBS



- Fit the appliance into its cabinetry by inserting screws into the 4 holes that can be seen in the frame of the warming drawer when the door is open.



- The warming drawer needs a supporting surface underneath. The sides and the face surface where the warming drawer is to be installed should be milled to allow sufficient air intake and circulation around the oven, to avoid causing any damage to the furniture.
- Ensure the oven is secured firmly in place as described above, and insulate electrical connections in order to avoid contact with metallic parts. The adhesive joining the rolled sections to the cabinet has to withstand temperatures no lower than 90°C to avoid deformations or instability.
- For the most efficient air circulation, the warming drawer should be fitted according to the dimensions shown. The rear panel of the cabinet must be removed so that air can circulate freely. The panel to which the warming drawer is fitted should have a gap of at least **80 - 90 mm** at the rear.
- The warming drawer should be installed in a position which is at least 20mm away from other heating appliances.

Do not switch on the appliance before it has been fully and correctly installed.

WARNING: The power socket must be connected to a switch with earth leakage protection. If the power cable is damaged, please contact a qualified electrician for replacement.

Before using the warming drawer, we suggest to:

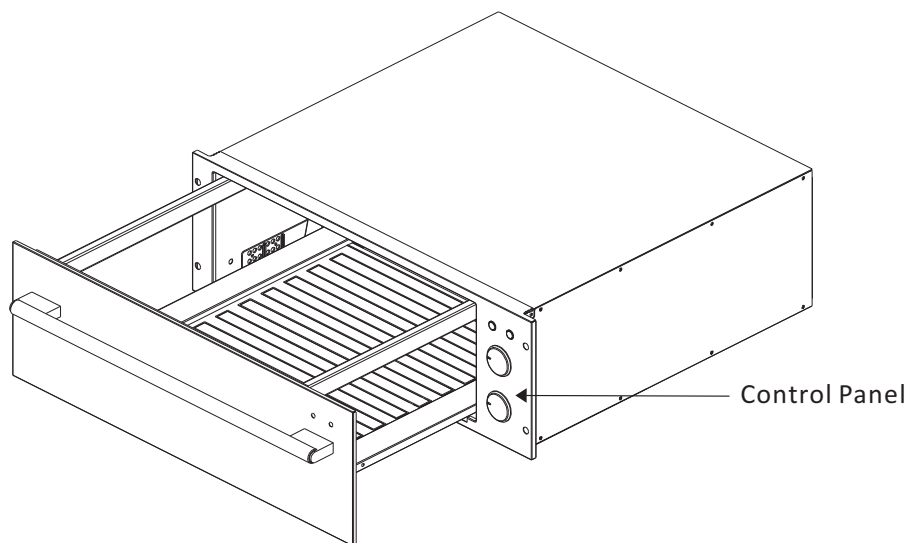
- Remove the special film covering the warming drawer door glass (if there is any)
- Heat the empty warming drawer at max. temperature for 45 minutes. This is to remove any unpleasant smell caused by working residues.

Technical Specification

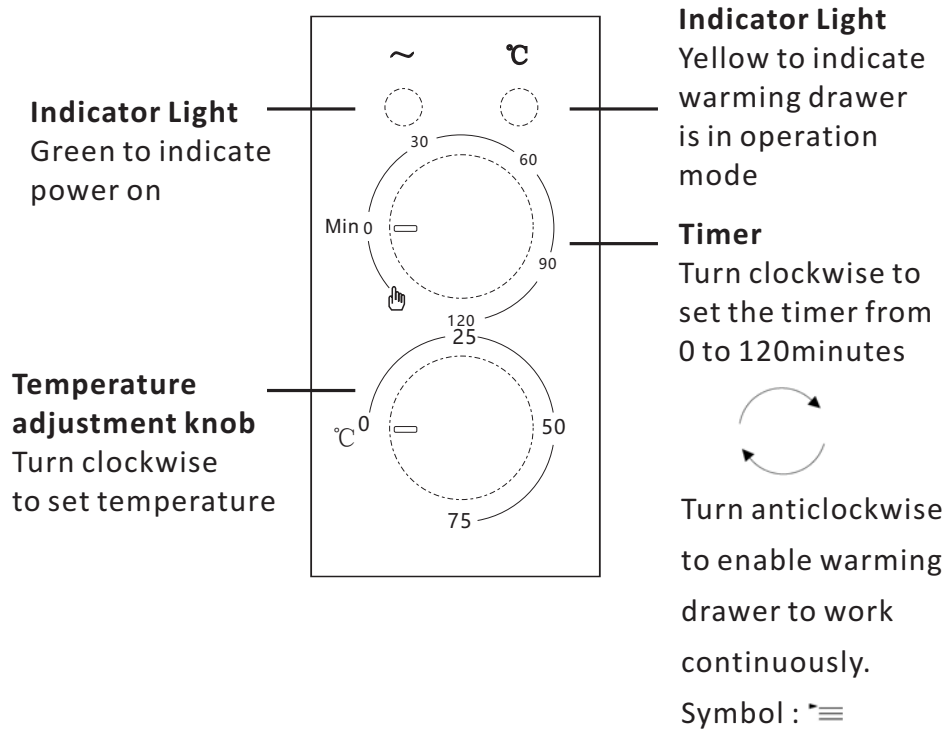
Product	Built-in Warming Drawer
Voltage / Frequency	220-240Vac / 50Hz
Heating Element Rated Power	500 W
Ventilation Motor Rated Power	15 W
Temperature Range	35-75°C (Adjustable)
Model Number	WD200SSS / WD200BBS
Timer	120 min
Max Load	20 kg
Capacity	9 place settings
Rater Power	515 W
Net Weight	16 kg
Product Dimension	597 x 530 x 197 mm

Warming Drawer Overview

This product is a full extension telescopic drawer.



Control Panel



Indication

The green light is illuminated to show the appliance is powered on and is on standby. The yellow light is illuminated to show the warming drawer is in operation mode.

Warming Timer

Turn clockwise to set the warming timer from 0 to maximum 120minutes. Turn anticlockwise to set the appliance to work continuously.

Temperature Setting

Temperature can be set by turning the knob from 35 to 75°C

Note: Do not overload the drawer. The maximum load bearing capacity of the drawer is 20kg.

Cookware Safety

Plastic containers or plastic wrap can melt if in direct contact with the drawer or a hot utensil. If it melts onto the drawer, it may not be removable.

Do not place plastic cutleries or bottles which have a melting point below 100°C into the drawer. Use heat-safe dishes only.

The warming drawer will keep hot, cooked foods at serving temperature. Always start with hot food. DO NOT use it to heat cold food with the exception of proofing yeast dough, crisping crackers, chips, dry cereal or warming dishes or plates.

Child Safety

The built-in warming drawer is not intended for use by young children or infirmed persons without supervision.

Children and pets should not be left alone or unattended in the area where the appliance is in use. They should never be allowed to play in its vicinity, whether or not the appliance is in use.

Cleaning and Maintenance

Caution: Prior to cleaning or maintenance, always disconnect the power supply. Clean the warming drawer after it cools down.

Make sure a steamer cleaner is not used.

Clean the water spots or scale after use.

Wipe and clean the drawer interior with sponge or cloth from time to time.

Warning: Do not use harsh chemicals or cleaning agents or any abrasive material for cleaning purpose. Under no circumstances use a steam cleaning appliance to clean this appliance. The steam could attack the electrical components and cause a short circuit.

Warning:

- 1. Accessible parts may become hot during use. Young children should be kept away.**
- 2. Do not use harsh abrasive cleaners or sharp metal scrapers to clean the warming drawer door glass since they can scratch the surface, which may result in shattering of the glass.**
- 3. Steam cleaner is not to be used.**
- 4. Fixed wiring must be protected.**
- 5. Means for disconnection must be incorporated in the fixed wiring in accordance with the wiring rules.**
- 6. When it is in use the appliance becomes hot. Care should be taken to avoid touching heating elements inside the oven.**
- 7. Surfaces of the warming drawer can get hot.**
- 8. This product must not be disposed with the domestic waste. It has to be disposed at an authorised bin for recycling the appliances.**
- 9. This appliance is not intended for use by a person (including children) with reduced physical, sensory or mental capabilities or lack of experience and knowledge, unless they have been given supervision or instruction regarding the use of appliance by personnel who is responsible for their safety.**
- 10. Always make sure the knobs are in the "0" position when the appliance is not in use.**

Troubleshooting

NOTE: The maintenance and service must be carried by qualified service person. Repairs and other work by unqualified persons could be dangerous.

The manufacturer is not liable for any direct or indirect damage caused by unqualified service person or installer.

Scenario	Possible Causes	Solution
Indicator light does not function	Power is not switched on	Turn the warming drawer power on
	Loose connection	Contact the service representative
Warming drawer fails to heat up	Heating element damage	Contact the service representative
Ventilation fails	Ventilation motor damage	Contact the service representative

Circuit Diagram

