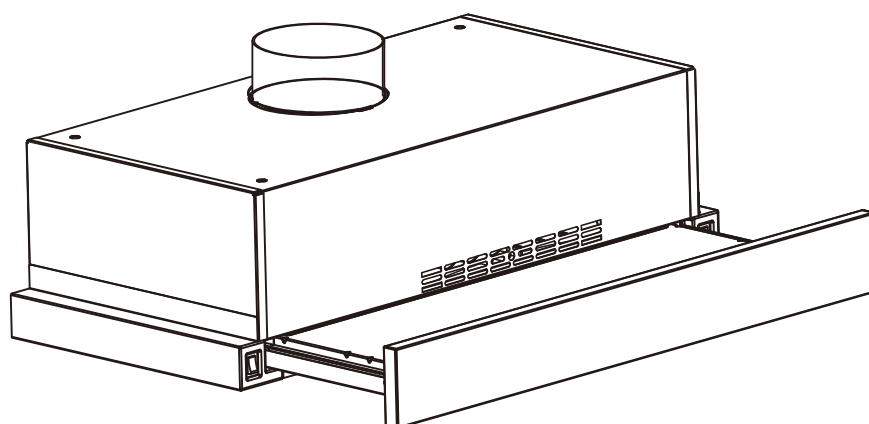


# DiLUSSO



TH619DSL

TH919DSL

TH633DSL

TH933DSL

## *TELESCOPIC HOOD*

**USER MANUAL**

**INSTALLATION INSTRUCTIONS**

To avoid the risk of accident or damage to the appliance, it is *essential* to read the following instruction prior to product installation and / or first time usage



## **Table of Contents**

· Important Notes -----	3
· Specifications -----	5
· Vent System Requirements -----	5
· Ducted & Re-circulating Mode -----	6
· Description of Parts -----	8
· Instruction for Use -----	10
· Technical Information -----	11
· Installation -----	12
· Cleaning & Maintenance -----	13
· Troubleshooting -----	15

## **Important Notes**

Dear Customer

Thank you for choosing our product. This appliance is easy to use; however please read this handbook carefully before installing and operating it. Herein, you will find the correct method of installation and tips for best use and maintenance of the product.

- This appliance is designed to be handy for any adult to use at home. Do not allow children to play with it. Children need to be supervised when the product is in operation so that they do not go near the rangehood.
- This product must be connected in accordance with current electrical regulations. A fixed wiring installation is to be done only by an authorised electrician.
- Warning! This Appliance Must Be Earthed.
- Means for disconnection must be incorporated in the fixed wiring in accordance with the wiring rules.
- Electrical Connection :
  - Green & Yellow : Earth
  - Blue : Neutral
  - Brown : Live
- Fixed wiring must be protected.
- Never use reductions, shunts, adaptors that can cause overheating or burning.
- It is strictly prohibited to modify any part of this appliance. Modification is to be done at user own risk.
- Before maintenance or cleaning of the product, disconnect the appliance from the mains.

- For any repairs, always contact authorised Customer Service Centre and ask for original spare parts. Repairs by untrained people may lead to damage and void of warranty.
- Packaging cling film, polystyrene and plastic wrappings must be kept out of reach of babies and young children to avoid suffocation.
- Do not connect the appliance if there are obvious signs of transportation damage. If the supply cord is damaged, it must be replaced by the manufacturer, or its service agent.
- Ensure the location in which this appliance is installed has good, permanent ventilation.
- The distance between the benchtop to the lower part of the hood must not be less than 70cm and it is not recommended to be more than 75cm for optimal operation.
- Do not leave lit gas burners exposed due to risk of fire.
- The exhaust from the rangehood must not be discharged into any heating flue.
- This product must not be disposed with the domestic waste. It has to be disposed at an authorised bin for recycling the appliances.
- This appliance is not intended for use by person (including children) with reduced physical, sensory or mental capabilities or lack of experience and knowledge. Unless, they have been given supervision or instruction regarding the use of appliance by personnel who is responsible for their safety.
- There is risk of catching fire if cleaning is not carried out in accordance with the frequency suggested and instructions.

**The manufacturer shall not be liable for any direct or indirect damage caused by faulty installation. The installer must ensure that the product installation and connection complies with the local and general regulation in force.**

## Specifications

	<b>TH619DSL</b>	<b>TH919DSL</b>	<b>TH633DSL</b>	<b>TH933DSL</b>
Input	: 220-240V~ / 50-60 Hz	220-240V~ / 50-60 Hz	220-240V~ / 50-60 Hz	220-240V~ / 50-60 Hz
Absorption	: 130W	130W	260W	260W
Lamps	: 2 x 2W	2 x 2W	2 x 2W	2 x 2W
Total Power	: 134W	134W	264W	264W

## Vent System Requirements

Vented system must be terminated to the outside. Ductwork can extend either through the wall or the roof. Do not terminate the vent system in an attic or other enclosed area.

The length of the ductwork and the number of elbows should be kept to minimum to provide efficient performance. The size of the ductwork should be uniform. Do not install two elbows together. Use duct tape to seal all joints in the ductwork system. Use caulking to seal exterior wall or floor opening around the cap.

**Flexible ductwork is not recommended. Flexible ductwork creates back pressure and air turbulence that greatly reduces performance.**

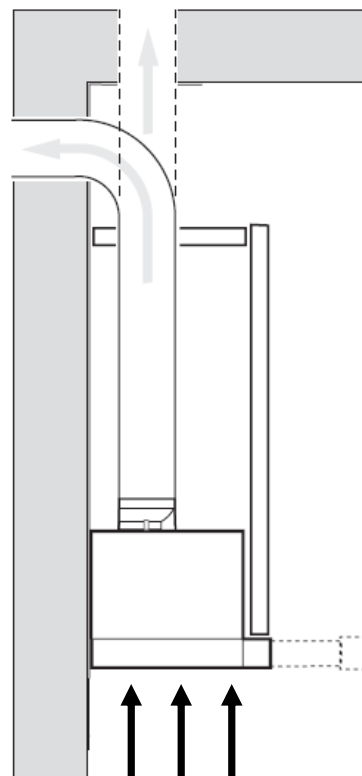
Make sure there is proper clearance within the wall or floor for exhaust duct before making cutouts. Do not cut a joist or stud unless absolutely necessary. If a joist or stud must be cut, then a supporting frame have to be constructed.

## Ducted Vs Re-Circulating Mode

Your cooker hood is configured to be operated in the ducted or recirculating mode (depending on model).

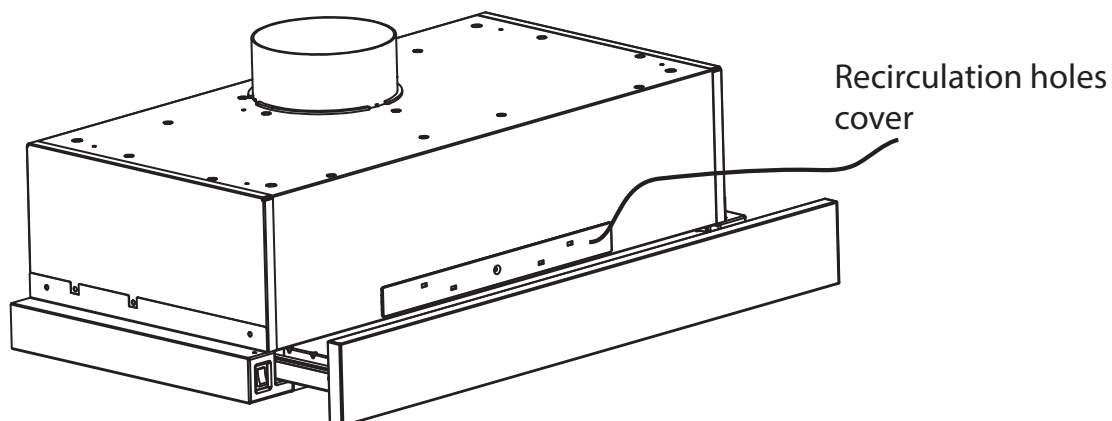
### Ducted Mode (Vented Mode)

Cooking fumes are vented outdoors through suitable connection of 150mm diameter. In this mode, only the aluminum filters are installed.



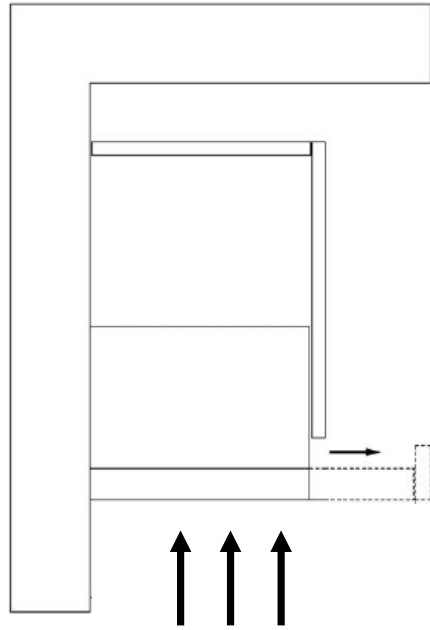
### **IMPORTANT!**

Recirculation holes must be covered with a plate provided in ducted mode.



**Re-circulating Mode (Depending on models)**

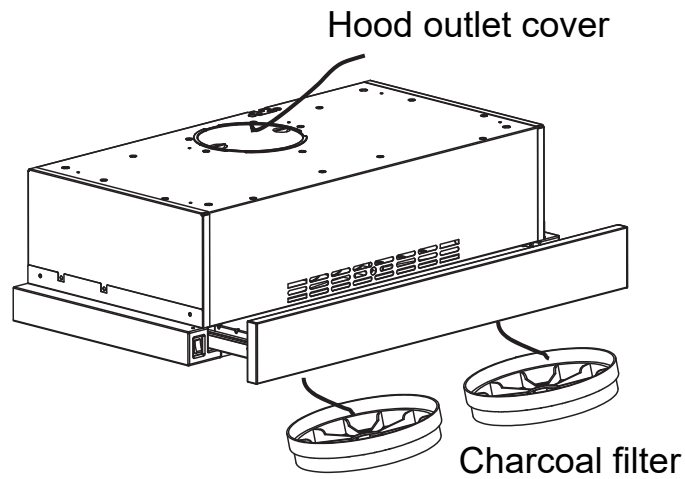
Fumes are filtered for grease and odours through the aluminium grease filters and the charcoal filters respectively and re-introduced into the kitchen environment. In re-circulating mode, both aluminium grease filters and the charcoal filters must be installed.



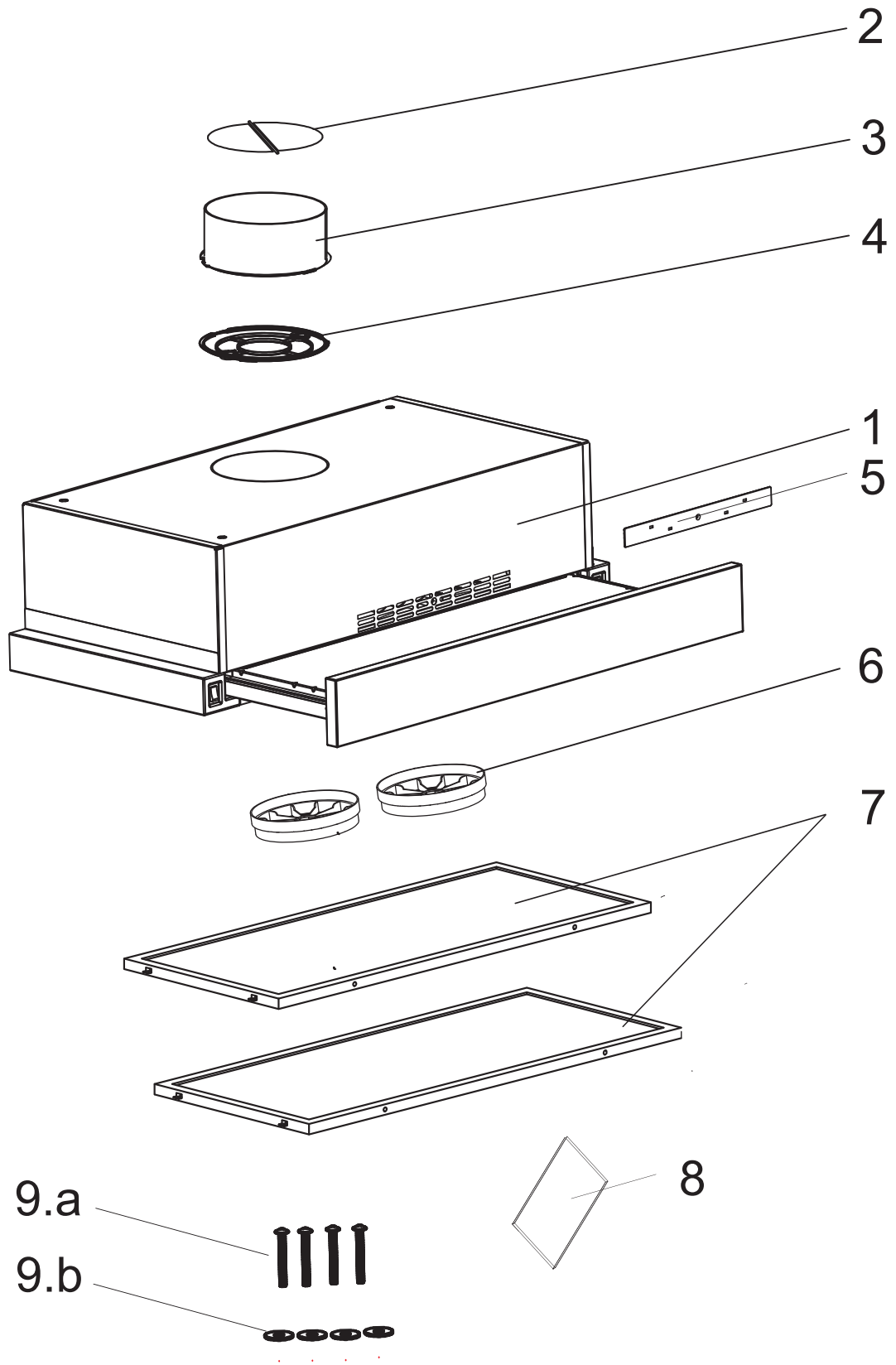
**IMPORTANT!**

Recirculation holes cover must be removed.

Hood outlet must be covered with a plate provided.



# Description of Parts

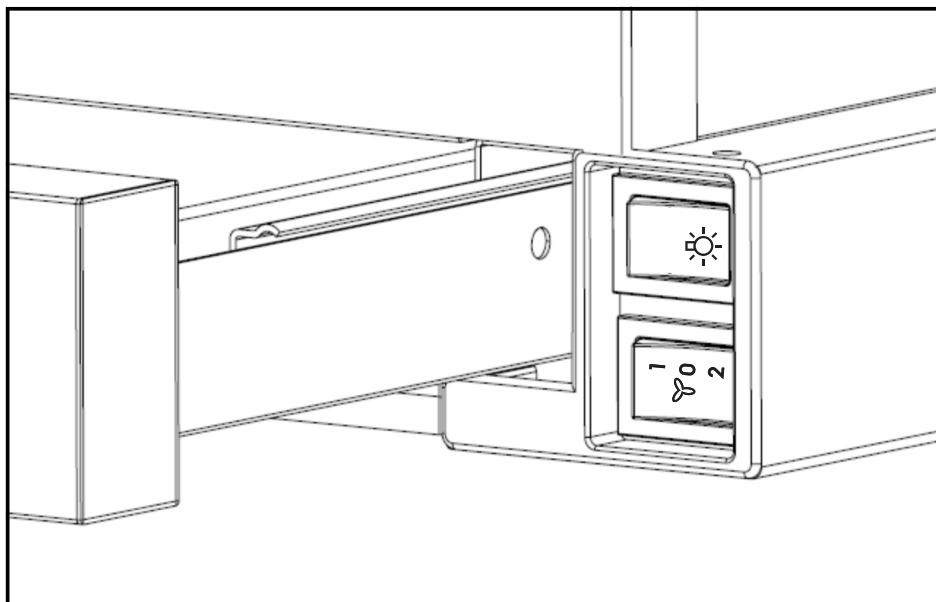




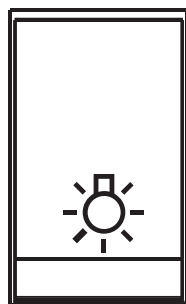
<b>No</b>	<b>Quantity</b>	<b>Part</b>
1	1	Rangehood body with integrated motor, controls & light
2	2	Flaps
3	1	Outlet adaptor
4	1	Outlet cover
5	1	Recirculation holes cover
6	2	Charcoal filter (Optional)
7	2	Aluminium filter
8	1	User manual
9a	4	Mounting screws M5*40
9b	4	Mounting gasket

## Instructions for Use

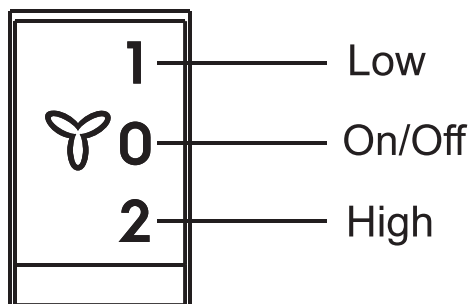
By pressing the button shown below, you will be able to control the functions of the extractor.



Light



Speed

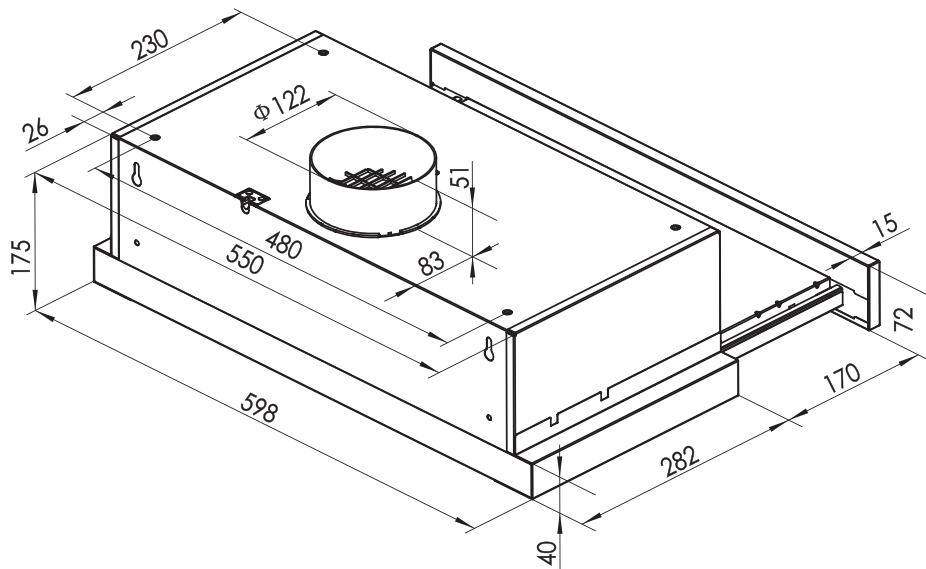


To achieve better extraction, we recommend to switch on the extractor a few minutes before starting to cook (3—5 minutes) so that the air flow is continuous and stable when extracting fumes.

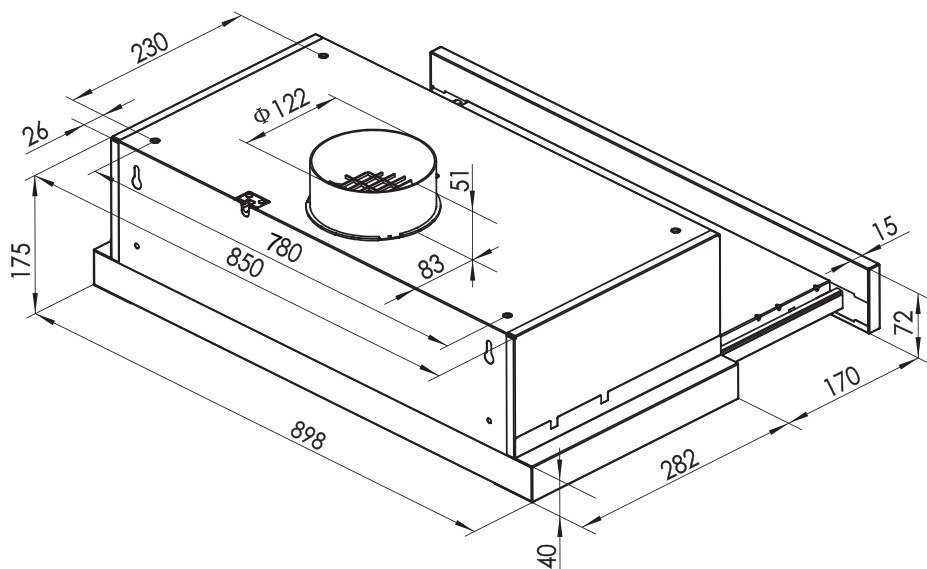
Likewise, keep the extractor switched on for a few minutes when cooking is complete to allow all fumes and odors to be expelled.

# Technical Information

TH619DSL  
TH633DSL



TH919DSL  
TH933DSL



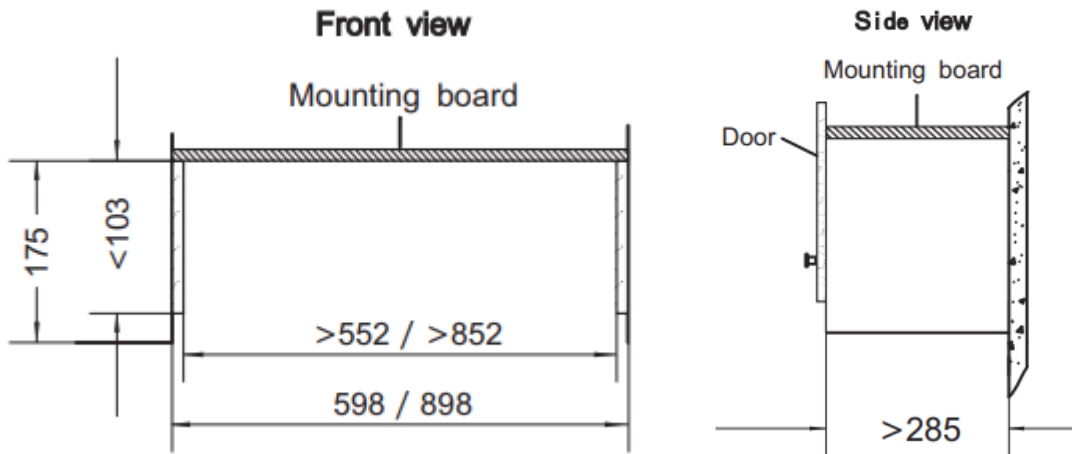
# Installation

To fix the rangehood to the kitchen unit.

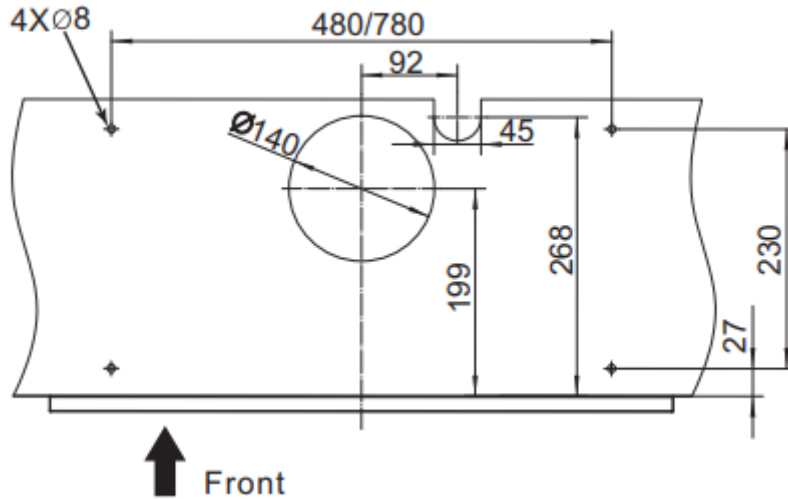
The lower part of the hood must be located at a minimum height of 70cm above the hob for electric and gas cookers. If the instructions of a gas cooker indicate a greater distance these must be observed.

When the rangehood is working at the same time as other non-electrical cooking equipment, the outlet air pressure must not exceed 4 Pa.

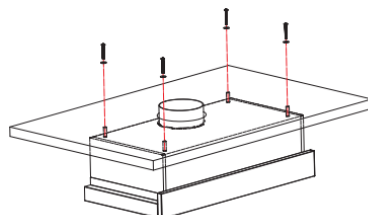
To achieve optimum performance the length of the outlet hose should not exceed 4 meters, or include more than two 90 angles (elbows)



Drill a hole of 140mm diameter for hood outlet, 4\*Ø8mm mounting holes and one clearance for power cord on the cabinet board referring to the following :



Insert 4 mounting screws with 4 mounting gaskets to fix the hood.



## **Cleaning & Maintenance**

Before carrying out any cleaning or maintenance activities, ensure that the appliances is disconnected from the mains and follow the safety Instructions.

### **Aluminium Filter Cleaning**

To withdraw the filters from their locations release the anchoring points. Clean the filter either putting in the dishwasher (refer to notes) or leaving it standing in hot water to simplify the removal of grease or, if wished, by means of special sprays (protecting the non metallic parts). Once clean, leave it to dry. Notes: cleaning in the dishwasher with aggressive detergents may blacken the surface of metallic parts, without this affecting its gas retaining properties. The filter must be cleaned at least once a month depending on how often the appliances is used. It must be remembered that grease is deposited in the extractor when cooking, whether it is switched on or not.

### **Activated Charcoal Filter**

To install the charcoal filter, place the motor anchorage to coincide with charcoal filter anchor points and turn clockwise. Charcoal filters roughly last about 3-6 months depending on the appliance usage. Charcoal filter is to be changed when the flue is getting smaller.

### **Cleaning the appliances body**

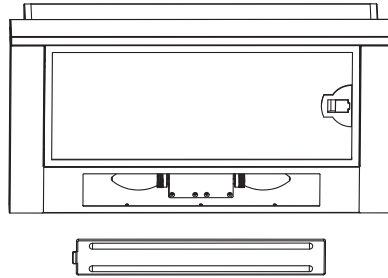
The use of (40°C approx.) soapy water is recommended. A cloth moistened in this water is used for cleaning the extractor, paying special attention to the grids and dry it using a lint-free cloth.

Note: Never use metallic scouring pads or abrasive products that could damage the surface.

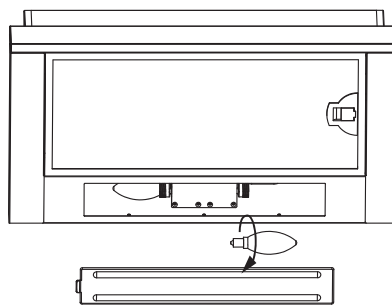
**Do not use scrapers with metallic surfaces such as knives, scissors etc**

## Changing Bulbs

Disconnect the mains beforehand and check that the bulbs to be replaced are not hot. Take off the lamp cover.

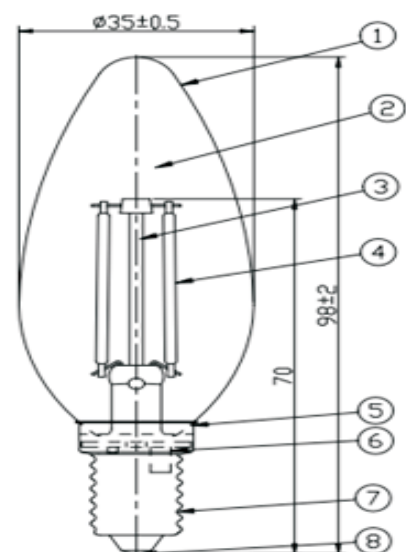


Loosen the lamp anticlockwise. Replace with 2W E14 LED lamp.



LED spec :

- CTH06-78A(D15)
- Max wattage : 2W
- Voltage : 220-240V~
- Dimension : diameter 35mm / length 98mm
- ILCOS D code : DR-2-H-E14-35/98



## Troubleshooting

Symptoms	Possible Causes	Action
Does not function	No power supply	Check that the plug is connected
		Check that the main switch is turned on
Poor airflow	Aluminum filters grease clogged	Clean the filters and fix it back when it is dry
Motor running but no airflow	Butterfly valve jammed	Contact technician
Motor cuts off after a few minutes	High temperature safety device activated	The kitchen is not sufficiently ventilated
	The hood is installed too near the cooking stove	The hood must be at least 65cm above the stove
Oil dripping onto stove	Aluminum grease filter saturated	Clean the filters and fix it back when it is dry
Whirring sound	Foreign object in contact with fan blade	Contact technician

This product is fitted with a safety cutout device.

If the rangehood is installed too close to the cooker, flambé cooking, operating the cooktop without cooking utensils and blocked filters may activate the safety cutout device. If the rangehood stops during operation, correct the faults and allow time for the safety cutout device to reset. Then the rangehood will function correctly. Do not operate cooktop without cooking utensils.

# Schematic Diagram

