



Built-in Combi Microwave Oven

MCO25FTB

Installation and Operating Manual

Read the instructions carefully before using the product.
Keep this manual for future reference.

CONTENTS

Important Notes	page 3
Installation Instructions	page 6
Oven Parts & Accessories	page 9
Operation Instructions	Page 10
<ul style="list-style-type: none">• To set the Clock• Microwave Cooking• Grill Cooking• Combination Cooking• Convection / Fan Force Cooking• Convection Cooking (Without pre-heating function)• Defrost by Weight• Defrost by Time• Multi-Stage Cooking• Timer• Fast Start• Automatic Pre-programmed Functions• Inquiry Function• Child Safe Lock• Alerts	
Cleaning and Maintenance	page 16
Troubleshooting	page 18
Technical Data	page 18

Important Notes

Dear Customer

Thank you for choosing our product. This appliance is simple to use; however please read this handbook carefully before installing and operating it. Herein, you will find the correct method of installation and tips for best use and maintenance of the product.

- This appliance is designed to be operated by an adult to use at home. Do not allow children to play with it. Children need to be supervised when the product is in operation so that they do not go near the oven and touch the hot surfaces.
- This appliance is intended for domestic use and similar applications such as staff kitchen areas in shops, offices, and other working environments; hotels, motels, or other residential type environments room; farm houses; bed and breakfast type environments.
- This oven is designed for built-in use only. It is not intended for counter top or use in a cupboard.
- This product can be installed in a 600mm wide wall mounted cabinet with at least 550mm deep and 850mm off the floor.
- Before maintenance or cleaning of the product, disconnect the appliance from the mains and wait for the oven to cool down first.
- Do not attempt to operate the combi microwave oven with door opened. This can result in harmful exposure to microwave energy. It is important not to break or tamper with the safety interlocks.
- Do not place any object between the oven front face and the door or allow soil or cleaner residue to accumulate on the sealing surfaces.
- Liquids and other food must not be heated in sealed containers since they are liable to explode.
- It is hazardous for anyone other than the authorised personnel to carry out any service or repair work that involve the removal of the cover which protects against the exposure of microwave energy.
- Keep the appliance and its cord out of reach of children.
- Only use utensils that are suitable for use in microwave ovens.
- The oven should be cleaned regularly and food deposits should be removed.
- When heating food in plastic or paper containers, keep an eye at the oven due to the possibility of ignition.
- If smoke is emitted, switch off or unplug the appliance and keep the door closed.
- Do not overcook food.
- This combi microwave is intended for heating food and beverages. Drying food or clothing and heating of warming pads, slippers, sponges, damp cloth and similar may lead to risk of injury, ignition or fire.
- Do not use the oven cavity for storage purposes. Do not store items such as bread, cookies etc inside the oven.
- Remove wire twist ties and metal handles from paper or plastic containers before placing them into the oven and start cooking.

- Install and locate this oven only in accordance to the installation instructions provided.
- Eggs in their shell and whole hard-boiled eggs should not be heated in microwave ovens since they may explode, even after the heating has ended.
- If the supply cord is damaged, it must be replaced by the manufacturer, authorised service agent or similar qualified personnel to avoid a hazard.
- Do not store or use this appliance outdoors.
- Do not use this appliance near water, in a wet basement or near a swimming pool.
- The combi microwave oven must not be installed behind a decorative door in order to avoid overheating. (This is not applicable for appliances with a decorative door)
- This appliance is operated in combination mode, children should only use the oven under adult supervision due to the temperatures generated.
- The temperature of accessible surfaces may be high during oven operation. The surfaces are liable to get hot when it is in use. Keep power cord away from heated surface, and do not cover any vents on the oven.
- Do not let power cord hang over edge of tables or counter.
- Failure to maintain the oven in a clean condition could lead to deterioration of the surface that could adversely affect the lifespan of the appliance and possibly result in a hazardous condition.
- The contents of feeding bottles and baby food jars shall be stirred or shaken, the food temperature should be checked before serving to avoid burns.
- Microwave heating of beverages can result in delayed eruptive boiling, therefore care must be taken while handling the container.
- The appliance can be used by persons (including children 8 years old and above) with reduced physical, sensory or mental capabilities, or lack of experience and knowledge, unless they have been given supervision or instruction regarding the use of the appliance by a person who is responsible of their safety.
- Only use the temperature probe recommended for this oven (for ovens provided with temperature sensing probe function).
- The appliance is not intended to be operated by means of an external timer or separate remote control system.
- Steam cleaner is not to be used.
- This combi microwave oven is intended to be used for heating food and beverages. Drying of food or clothes and heating of warming pads, slippers, sponges, damp clothes and similar may lead to risk of injury, ignition or fire.
- For any repairs, always contact authorised Customer Service Centre and ask for original spare parts. Repairs by unqualified people will lead to ex and will void the warranty.

Warning : If the door seal is damaged, the oven must not be operated until a good condition door seal is replaced by an authorised personnel.

Power Connection:

THE APPLIANCE MUST BE CONNECTED IN ACCORDANCE WITH CURRENT ELECTRICAL RULES AND REGULATIONS.

THIS APPLIANCE IS FITTED WITH A PLUG AND MUST BE PROPERLY EARTHED. Installation is to be carried out by an qualified electrician.

Before connecting to the mains, make sure that:

- The mains voltage must correspond to the voltage specified in the data label.
- The supply system is regularly earthed, according to the regulations.
- The isolation switch with a contact gap of at least 3mm can easily be reached after the oven is installed.
- After connection to the mains, check that the supply cable does not overheat.
- Never use reductions, shunts, adaptors that can cause overheating or burning.
- Do not trap or bend the power cable.

The manufacture shall not liable for any direct or indirect damage caused by faulty installation. The installer must ensure that the product installation and connection complies with the local and general regulation in force.

DANGER: Electric Shock Hazard

Touching some of the internal components can cause serious personal injury or death. Do not disassemble the appliance.

Improper earthing can result in electric shock. In event of an electrical short circuit, earthing reduces the risk of electric shock by providing an escape wire for the current. This appliance is equipped with a cord having an earth wire with an earthing plug. Therefore the plug must be connected to an outlet that is properly earthed.




If it is necessary to use an extension cord, qualified electrician is to use only a 3-wire extension cord. A short power supply cord is provided to reduce the risks of becoming entangled in or tripping over a long cord.

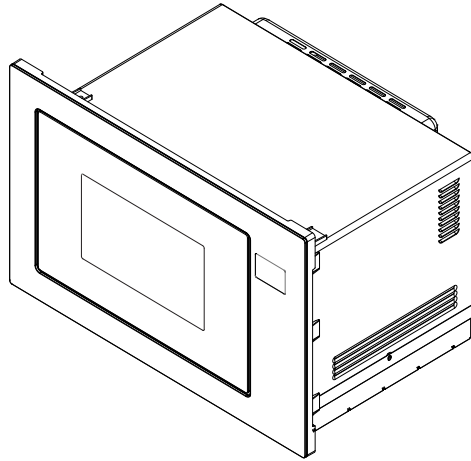
If a long cord set or extension cord is used,

- The marked electrical rating of the cord set or extension cord should be at least as great as the electrical rating of the appliance
- The extension cord must be an earthed type 3 wire cord
- The long cord should be arranged so that it will not drape over the counter top or tabletop where it can be pulled by children or tripped over unintentionally.

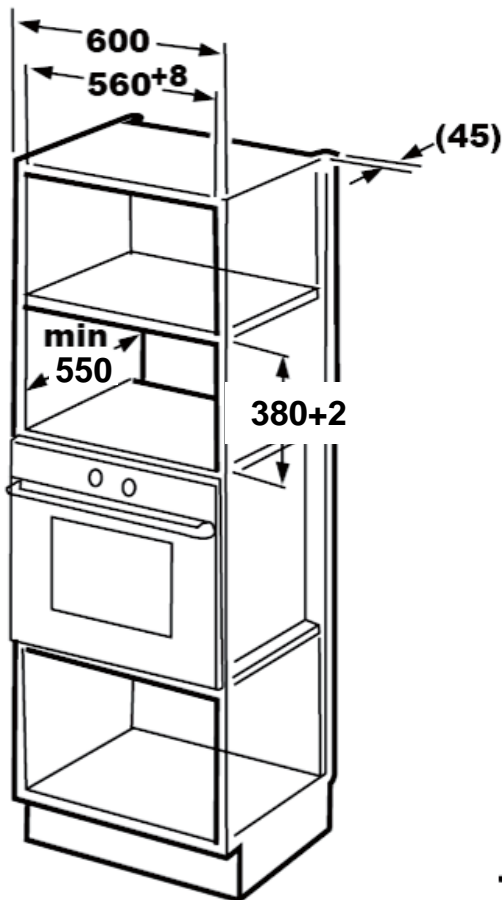
Installation Instruction

Warning : The fitted cabinet must not have a back wall behind the appliance. Do not cover ventilation slots and suction holes.

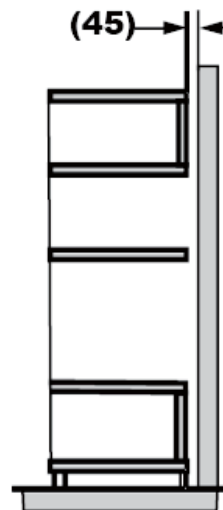
-  Screws
-  Mounting Bracket
-  Trimkit Cover



Built in cabinet requirements :

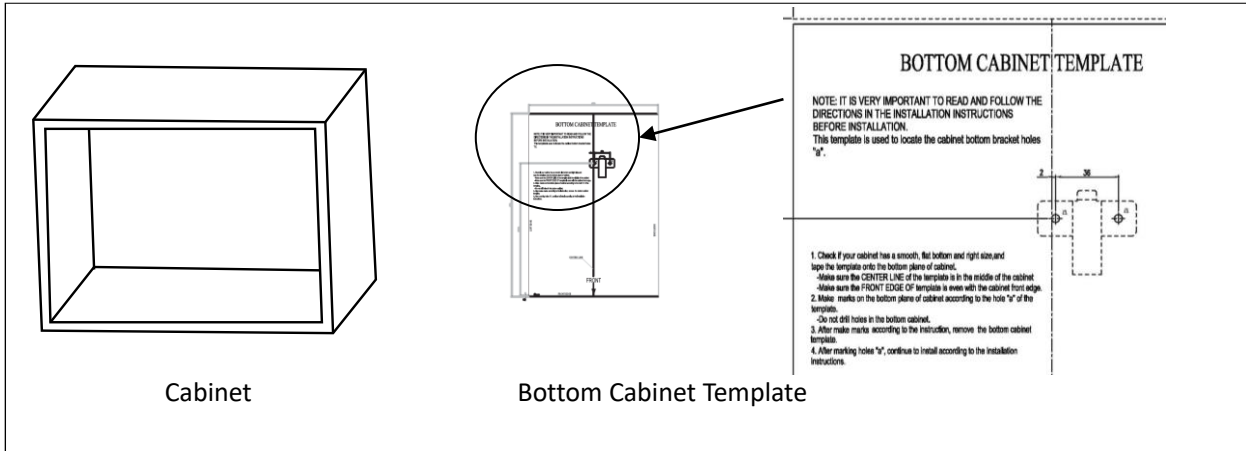


Remark : All dimensions are in mm



Wall mounted cabinet :

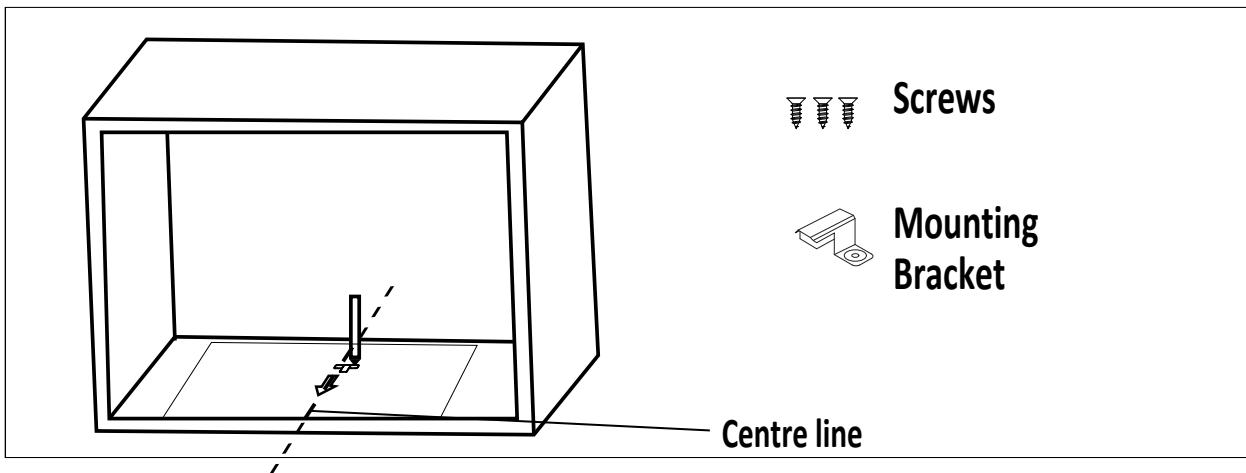
Read the instructions written on the *Bottom Cabinet Template*. Put the template at the bottom panel of the cabinet.



Cabinet

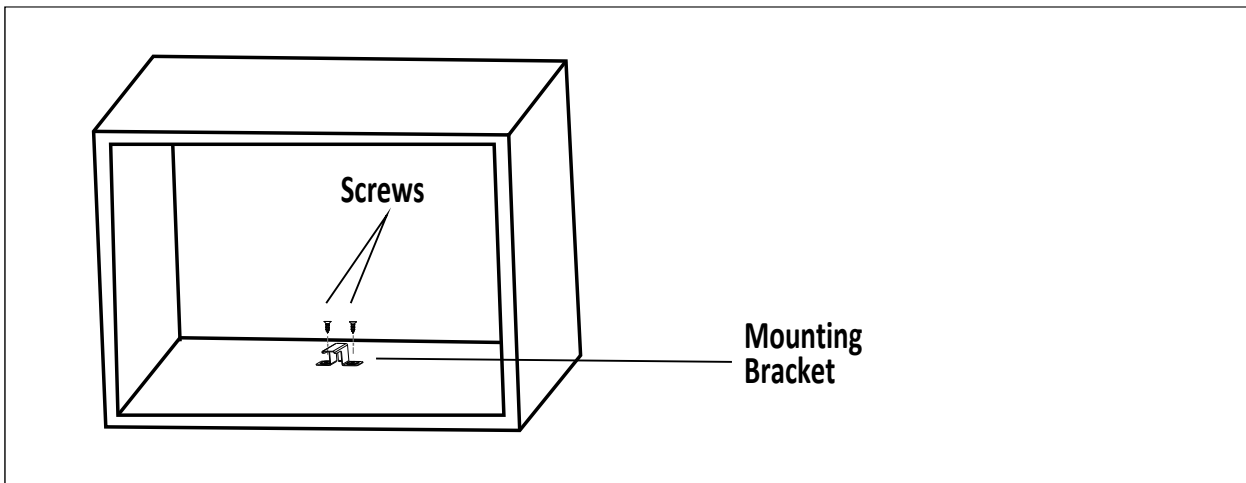
Bottom Cabinet Template

Mark the bottom panel with position "a" according to the template.



Centre line

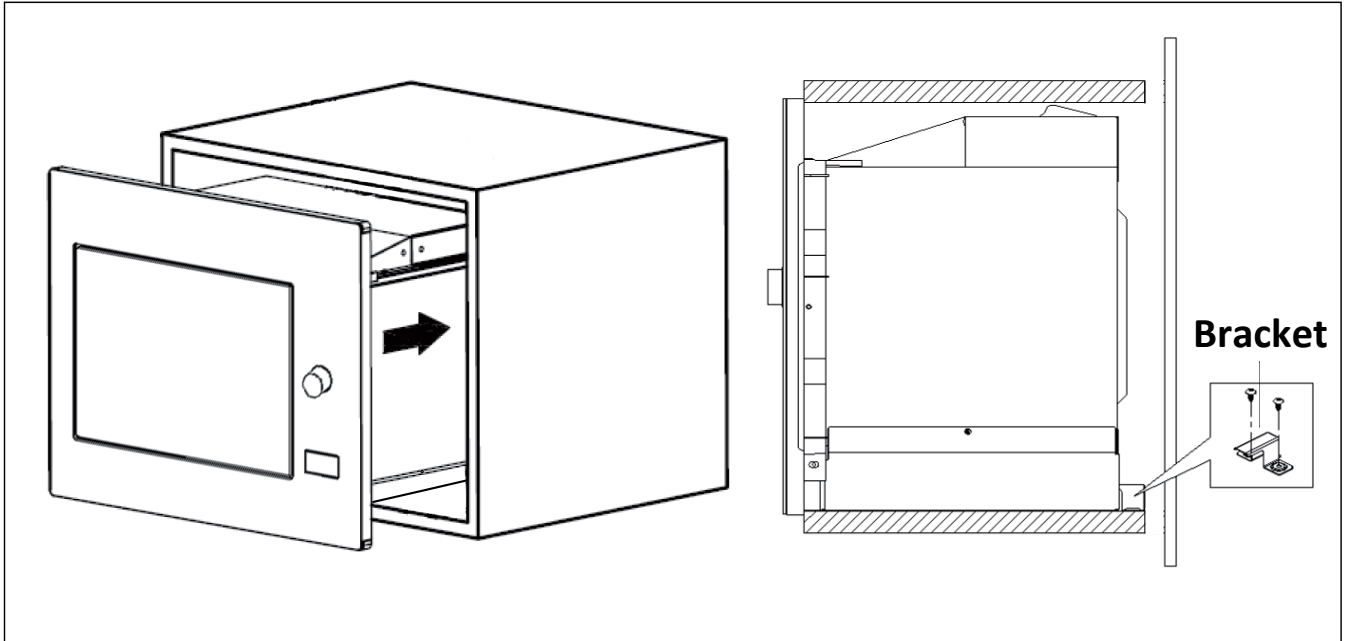
Remove the template and fix the bracket with screws.



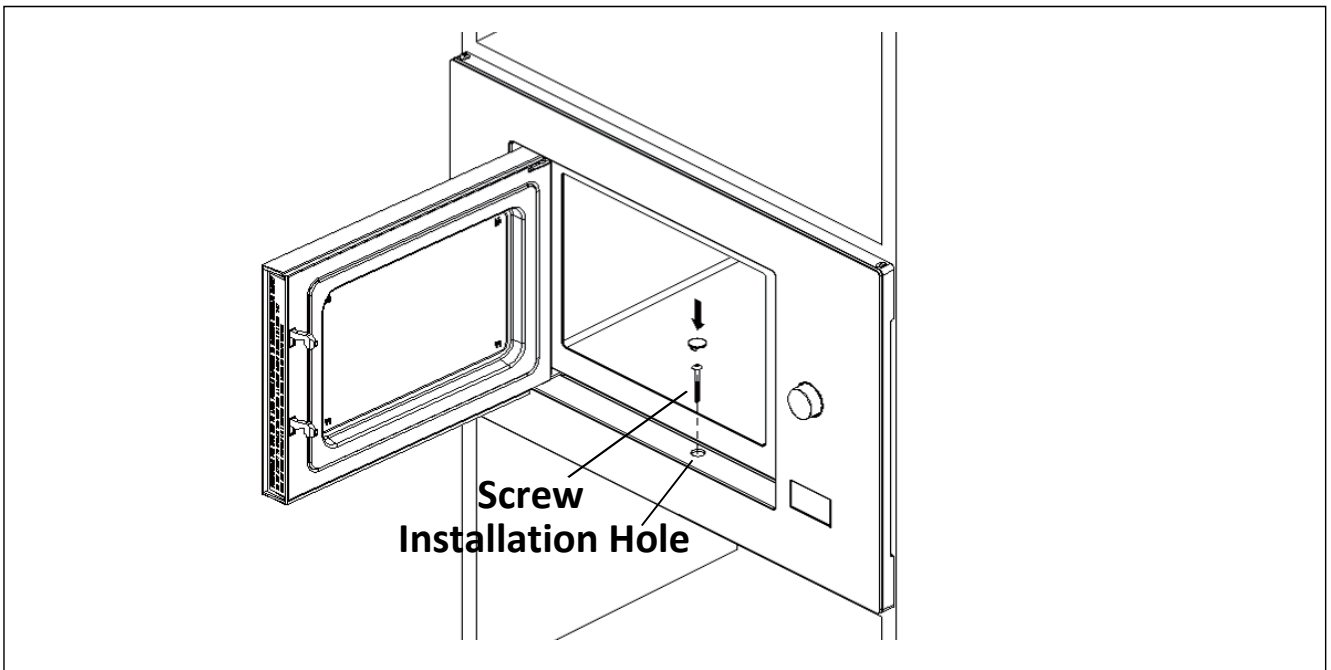
Mounting Bracket

Installing the combi microwave oven

Put the combi microwave oven to the compartment. Make sure the back of the oven is locked on the bracket. Do



Open the door, fix the oven to the cabinet with screw, as shown in the diagram below :
Then cover the installation hole with the trimkit plastic cover.



Before using the oven, we suggest to:

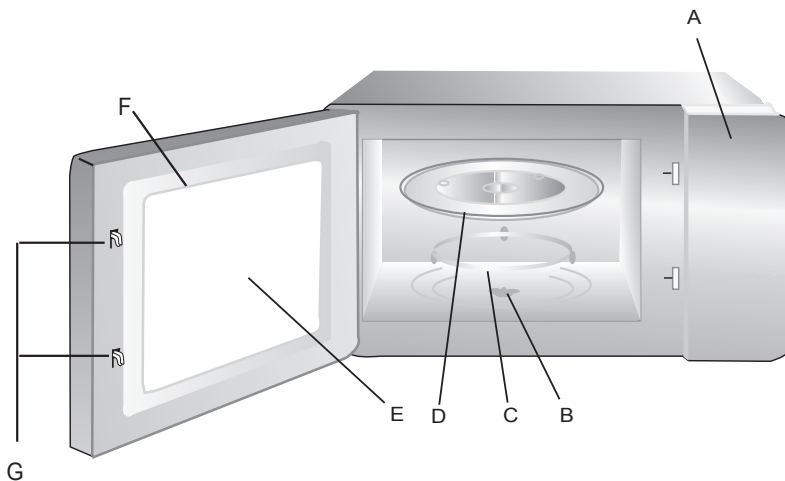
- Remove the special film covering the oven door glass (if there is any)
- Carefully clean the internal cavity of the oven with soapy water and rinse it.

IMPORTANT!

When the oven is in operation, hot surfaces might occur at the oven door. Take note of the "Warning! Hot Surface" sign. Make sure the children do not go near the oven when it is in use.



Oven Parts & Accessories

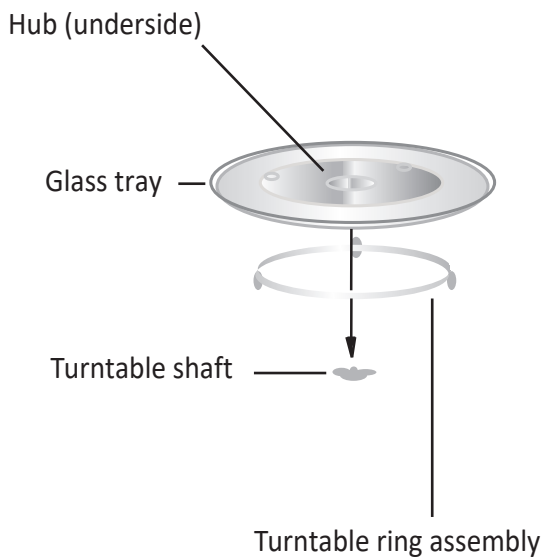


- | | |
|---|-------------------------|
| A | Control panel |
| B | Turntable shaft |
| C | Turntable ring assembly |
| D | Glass tray |
| E | Observation window |
| F | Door assembly |
| G | Safety interlock system |



Grill Rack(Only be used in grill function and be placed on the glass tray)

Turntable Assembly





Note :

- Never place the glass tray upside down. The glass tray should never be restricted from turning.
- Both glass tray and turntable ring assembly must always be used during oven operation.
- All food and containers of food are always to be placed on the glass tray during oven operation.
- If the glass tray or turntable ring assembly breaks, stop using the product and contact the authorised customer service centre.

Operating Instructions


This combi microwave oven uses modern electronic touch controls to set cooking parameters.

To set the Clock

- In standby mode, press “ **KITCHEN TIMER/CLOCK** ” twice, “00:00” displays. Hour figures flash.
- Turn the sensor dial in a clockwise or anti-clockwise direction “  ” to adjust the hour figures, the clock display is in 24hour time.
- Press “ **KITCHEN TIMER/CLOCK** ”, the minute figures will flash.
- Turn sensor dial “  ” to adjust the minute figures, the input time should be within 0-59.
- Press “ **KITCHEN TIMER/CLOCK** ” to finish clock setting. “ : ” will flash and the time set will light up on the display.


Remark : The clock will not work if it is not set when powered. Whilst setting the clock, pressing “STOP/CLEAR” will exit the setting mode.

Microwave Cooking



- Press the “ **MICROWAVE/GRILL/COMBI./CONVE.** ” key once and the LED display shows “P100”.
- Press several times of “ **MICROWAVE/GRILL/COMBI./CONVE.** ” or turn “  ” to select the microwave power from 100% to 10%.“P100”, “P80”, “P50”, “P30”, “P10”... will display in order.

Microwave Power Chart

Press	Once	Twice	3 times	4 times	5 times
Microwave Power	100%	80%	50%	30%	10%

- Press “ **START/+30SEC./CONFIRM** ” to confirm.
- Use touch dial “  ” to adjust the cooking time. The cooking duration can be set from 5sec up to 95mins.
- Press “ **START/+30SEC./CONFIRM** ” to start cooking.



Grill Cooking

- Press the “ **MICROWAVE/GRILL/COMBI./CONVE.** ” key 6 times or press the “ **MICROWAVE/GRILL/COMBI./CONVE.** ” key once then use the sensor dial, until G  is displayed.
- Press “ **START/+30SEC./CONFIRM** ” to confirm.
- Use sensor dial “  ” to adjust the cooking time from 5 seconds to 95 minutes.
- Press “ **START/+30SEC./CONFIRM** ” to start cooking.




Note

Half way through your cooking time, the oven will sound twice to alert you to turn over the food. You can ignore the alert and the oven will continue with program. If you do open the door to turn the food over, after closing the door, you MUST press “ **START/+30SEC./CONFIRM** ” to continue cooking.

Combination Cooking




- Press the “MICROWAVE/GRILL/COMBI./CONVE.” key once and “P100” will be displayed.
- Continue to press the “MICROWAVE/GRILL/COMBI./CONVE.” key or use the sensor dial “” to select the combi functions C-1 to C-4. Refer to the table for the combination cooking functions.
- Press “START/+30SEC./CONFIRM” to confirm.
- Use sensor dial “” to adjust the cooking time from 5 seconds to 95 minutes.
- Press “START/+30SEC./CONFIRM” to start cooking.

Combination Programs

Program	Display	Microwave 	Grill 	Convection/Fan Force 
1	C-1	●		●
2	C-2	●	●	
3	C-3		●	●
4	C-4	●	●	●

Convection / Fan Force Cooking




The convection/fan force cooking allows you to use the oven as a traditional oven. Microwave is not used. It is recommended that you should preheat the oven to the appropriate temperature before placing the food in the oven.

- Press the “MICROWAVE/GRILL/COMBI./CONVE.” key once and “P100” will be displayed.
- Continue to press the “MICROWAVE/GRILL/COMBI./CONVE.” key or use the sensor dial “” to select the convection functions . Continue pressing to choose the temperature setting (130°C to 220°C).
- Press “START/+30SEC./CONFIRM” to confirm the temperature.
- Press “START/+30SEC./CONFIRM” to start preheating. When the preheating temperature is reached, the buzzer will sound twice to remind you to put the food into the oven. The preheated temperature will flash.
- Put the food into the oven and close the door. Use the sensor dial “” to adjust the cooking time. Maximum setting is up to 95 minutes.
- Press “START/+30SEC./CONFIRM” to start cooking.


Note

Cooking time is set after the preheat temperature is reached. The oven door must be opened then closed to input the cooking time. If the cooking time is not set within 5 minutes, the buzzer will sound 5 times and the oven will stop heating and go to standby mode.


Convection Cooking (Without pre-heating function)

- Press the “ MICROWAVE/GRILL/COMBI./CONVE. ” key once and “P100” will be displayed.
- Continue to press the “ MICROWAVE/GRILL/COMBI./CONVE. ” key or use the sensor dial  to select the convection functions . Continue pressing to choose the temperature setting (130°C to 220°C).
- Press “START/+30SEC./CONFIRM ” to confirm the temperature.
- Use the sensor dial  to adjust the cooking time. Maximum setting is up to 95 minutes.
- Press “ START/+30SEC./CONFIRM ” to start cooking.

Defrost By Weight

- Press “ WEIGHT/TIME DEFROST ” once, the oven will display “dEF1”.
- Turn “  ” to select the weight of food from 100 to 2000g.
- Press “ START/+30SEC./CONFIRM ” to start defrosting.

Defrost By Time

- Press “ WEIGHT/TIME DEFROST ” twice, the oven display will show “dEF2”.
- Turn “  ” to select desired defrost time. Max time allowed is 95 minutes.
- Press “ START/+30SEC./CONFIRM ” to start defrosting. The default defrosting power is P30, and it cannot be changed.

Note

If the food weighs less than 200 grams, place the food at the edge of the glass turntable away from the centre to be defrosted.

Multi-Stage Cooking




You can set a maximum of 2 cooking stages. Use the “ MICROWAVE/GRILL/COMBI./CONVE. ” key to select the first cooking function.

press “ START/+30SEC./CONFIRM ”. Then set the cooking duration, do not press “ START/+30SEC./CONFIRM ”. Select the second cooking function,


press “ START/+30SEC./CONFIRM ” and set the cooking duration, press “ START/+30SEC./CONFIRM ”. The buzzer will ring once after each stage and the next stage will begin.

Note : Auto menu and preheating cannot be set as one of the multi-stage.

Example : if you want to defrost the food for 5 minutes, then to cook with 80% microwave power for 7 minutes. The steps are as following :

- Press “ **WEIGHT/TIME DEFROST** ” twice, the oven display will show “dEF2”.
- Use the sensor dial “  ” to adjust the defrost time of 5 minutes.
- Press the “ **MICROWAVE/GRILL/COMBI./CONVE.** ” key once.
- Use the sensor dial “  ” to choose 80% microwave power till P80 is displayed
- Press “ **START/+30SEC./CONFIRM** ” to confirm.
- Use the sensor dial “  ” to adjust the cooking time of 7 minutes.
- Press “ **START/+30SEC./CONFIRM** ” to start cooking.

Timer

- In standby mode, press “ **KITCHEN TIMER/CLOCK** ” once, the oven display will show “00:00”.
- Turn “  ” to adjust the desired timer value, the max time limit is 95 minutes.
- Press “ **START/+30SEC./CONFIRM** ” to confirm selection.
- When the time elapsed, buzzer will ring 5 times. If the clock is set to 24 hour system, LED will show the current time.



Note

Timer is different from local time setting. During timer, other program cannot be set.

Fast Start

- MICROWAVE Fast Start – In standby mode, press the “ **START/+30SEC./CONFIRM** ” key to immediately start microwave cooking at 100% power. Incremental 30sec can be added by pressing the same key. The maximum cooking time is 95 minutes.
- Microwave, Grill, Convection, Combination, Time Defrost– after selecting the particular function, press the “ **START/+30SEC./CONFIRM** ” key for immediate start. Subsequent pressing of the key will increase the cooking duration by 30sec, with maximum cooking duration of 95 minutes.

Automatic Pre programmed Functions

- In standby mode, turn “  ” clockwise until “A1”, “A2”, “A3”“A10” is displayed. Refer to the Auto Pre-programmed chart.
- Press “ **START/+30SEC./CONFIRM** ” to confirm selection.
- Turn “  ” to choose the weight and ‘g’ indicator will light up.
- Press “ **START/+30SEC./CONFIRM** ” to start cooking.

Note : Cake menu is under convection cooking with 180°C warm up function, and you should preheat first following the auto menu operation, when the oven reaches the temperature, it will stop working and buzzer rings to remind you opening the door to put cake in, then press “ **START/+30SEC./CONFIRM** ” to start cooking.

Automatic Pre-programmed Chart



Menu	Weight (g)	Display	Power
A1 Reheat	150	150	100%
	250	250	
	350	350	
	450	450	
	600	600	
A2 Potato	1 (about 230g)	1	100%
	2 (about 460g)	2	
	3 (about 690g)	3	
A3 Meat	150	150	100%
	300	300	
	450	450	
	600	600	
A4 Vegetable	150	150	100%
	350	350	
	500	500	
A5 Fish	150	150	80%
	250	250	
	350	350	
	450	450	
	650	650	
A6 Pasta	50 (with water 450ml)	50	80%
	100 (with water 800ml)	100	
	150 (with water 1200ml)	150	
A7 Soup	200	200	100%
	400	400	
	600	600	
A8 Cake	475	475	Preheat at 180 degree
A9 Pizza	200	200	C-4
	300	300	
	400	400	
A10 Chicken	500	500	C-4
	750	750	
	1000	1000	
	1200	1200	

Inquiry Function

- In the cooking state, press “ MICROWAVE/GRILL/COMBI./CONVE. ” key once, the current power or temperature will be displayed for 2-3 seconds.
- During cooking state, press “ KITCHEN TIMER/CLOCK ” to check the current time. It will be displayed for 2-3 seconds.

Child Safe Lock

To lock the combi oven

- In standby mode, press and hold “ STOP/CLEAR ” for 3 seconds. A long beep will present to denote it is now entered the child safe lock mode.  will be shown at the display. If the local time has been set, local time will be shown. Otherwise, it will be  and 0:00.

To unlock the combi oven

- The combi oven is locked, press and hold “ STOP/CLEAR ” for 3 seconds. There will be a long beep to denote that the combi oven is now unlocked.

Alerts

- “ START/+30SEC./CONFIRM ” must be pressed to continue cooking if the door is opened during cooking.
- Once the cooking programme has been set, “ START/+30SEC./CONFIRM ” is not pressed in 5 minutes. The current time will be displayed. The setting will be cancelled.
- The buzzer will sound 5 times to remind you when cooking is finished.

Cleaning and Maintenance

Caution: Prior to cleaning or maintenance, always disconnect the power supply.

Make sure a steamer cleaner is not used.

CLEANING OF STAINLESS STEEL

In order to have your oven retain its new appearance; regular cleaning and care should be performed to protect the stainless steel finishes.

Never use gritty or abrasive sponges. Stubborn stains can be removed by soaking in hot water, standard stains can be removed by applying a clean cloth soaked in soapy water before spillage becomes cold or dries up. Acidic materials like vinegar and citric juices etc can damage the most resistant surfaces. If a spill occurs wipe it immediately.

Note : Use only damp cloth to clean the stainless steel panel with printed wording. Stainless steel cleaners and similar products may remove the print.

COMBI OVEN CLEANING

Combi oven spillages should be cleaned straight away. Leaving it will cause burning and smoking inside the chamber of combi oven the next time oven is used. A non-caustic cleaner is recommended to clean the chamber of the combi oven. Do not use abrasive scourers, sponges, cleaning products. Wipe out combi oven regularly and properly while combi oven is still warm with warm soapy water and a soft cloth.

The door frame and seal and neighbouring parts must be cleaned carefully when they are dirty.

Do not use sharp metal scrapers to clean the oven door glass since they can scratch the surface, and may result in glass shattering.

Tip for cleaning the chamber : Place half a lemon in a bowl, add 300ml of water and heat them up at 100% microwave power for 10 minutes. Wipe the chamber using a soft dry cloth.

Warning:

It is hazardous for anyone other than the authorised personnel to carry out any service or repair work that involve the removal of the cover which protects against the exposure of microwave energy.

Utensils that is safe in the combi oven

There are some non metallic utensils which are not suitable to be used in the combi oven. Below is a simple way to check if a utensil can be used in the combi oven:

- Fill a microwave safe container with 250ml of water. Put the utensil-under-test in the water and place them into the combi oven.
- Start cooking at maximum power for 1 minute.
- Carefully feel the utensil-under-test. If the empty utensil is warm, do NOT use it for microwave cooking.
- **Do not exceed 1 minute cooking time.**

Materials which are combi microwave safe :

Utensils made from	Remark
Browning dish	Follow the manufacturer's instructions. The bottom of browning dish must be at least 3/6inch or 5mm above the turntable. Incorrect usage of browning dish may cause the turntable to break.
Dinnerware	Microwave safe only. Follow the manufacturer's instructions. Do not use cracked or chipped dishes.
Glass jars	Always remove the lid. Use only to warm up food. Most glass jars are not heat resistant and it may break.
Glassware	Heat-resistant oven glassware only. Make sure this is no metallic trim. Do not use cracked or chipped dishes.
Oven cooking bag	Follow manufacturer's instructions. Do not close the bag with metal tie. Make slits to allow steam to escape.
Paper plates and cups	Use for short term cooking / warming only. Do not leave oven unattended while cooking.
Paper towels	Use to cover food for reheating and absorbing fat. Use with supervision for a short term cooking only.
Parchment paper	Use as a cover to prevent splattering or a wrap for steaming.
Plastic	Microwave safe only. Follow the manufacturer's instructions. There should be marks / label to show it can be used in a microwave. Some plastic containers soften as food inside gets hot. "Boiling bags" and tightly closed plastic bags should be slit, pierced or vented.
Plastic wrap	Microwave safe only. Use to cover food while cooking to retain moisture. Do not allow plastic wrap to touch the food.
Thermometer	Microwave safe only (meat and candy thermometers).
Wax paper	Use as a cover to prevent splattering and retain moisture.

Materials which are **NOT** combi microwave safe :

Utensils made from	Remark
Aluminium tray	May cause arcing. Transfer food into a microwave safe dish.
Food carton with metal handle	May cause arcing. Transfer food into a microwave safe dish.
Metal or metal trimmed	Metal shields the food from microwave energy. Metal trim may cause arcing.
Metal twist ties	May cause arcing and could catch fire.
Paper bags	May cause fire in the oven.
Plastic foam	May melt or contaminate the liquid inside when exposed to high temperature.
Wood	Wood will dry out if it is put in microwave oven for cooking. It may split or crack.

Troubleshooting

The following scenarios are normal :

- Combi oven interfering TV reception
 - Radio and TV reception may be interfered while combi oven is in operation. It is similar to the interference of small electrical appliances, like mixer, vacuum cleaner, and electric fan.
- Dim combi oven light
 - In low power microwave cooking, oven light may become dim.
- Steam accumulating on door, hot air out of vents
 - During cooking time, steam may come out from food. Most of it will get out through vents. However, some may accumulate at cool places such as oven door.

Warning!

Microwave Oven should not be run with no food in.

Problem	Possible Causes	Solution
Combi oven cannot be started	Power cord not plugged in properly	Unplug and plug in again after 10 seconds.
	Fuse is blown or circuit breaker activated	Replace the blown fuse or reset the circuit breaker (contact the authorised electrician)
	Faulty power outlet	Test the power outlet with other electrical appliances to make sure the cause.
Combi oven does not heat up	Combi oven door is not closed properly	Close the combi oven door properly
Noisy glass turntable during combi oven operation.	Turntable assembly is dirty	Clean the turntable assembly

Technical Data

Model Number	MCO25FTB
Rated Voltage	230-240V~ 50Hz
Rated Input Power (Microwave)	1400-1450W
Rated Output Power (Microwave)	850-900W
Rated Input Power (Grill)	1000-1100W
Rating Input Power (Convection)	2300-2400W
Oven Capacity	25L
Turntable Diameter	∅ 315mm
External Dimension	595 x 471 x 388 mm
Net Weight	Approx 21.5kg

