



Canopy Rangehood

CH606SS

CH906SS

Installation and Operation Manual

To avoid the risk of accident or damage to the appliance, it is **essential** to read the following instructions prior to product installation and / or first time usage.

CONTENTS

Important Note	Page 3
Product Specification	Page 5
Product Overview	Page 6
Installation Instruction	Page 8
Ducted Mode	Page 10
Recirculation Mode	Page 12
Chimney Assembly	Page 13
Electrical Connection	Page 14
Rangehood Operation & Control	Page 15
Cleaning and Maintenance	Page 16
Troubleshooting	Page 18
Light Module Replacement	Page 19
Schematic Diagram	Page 19

Important Notes

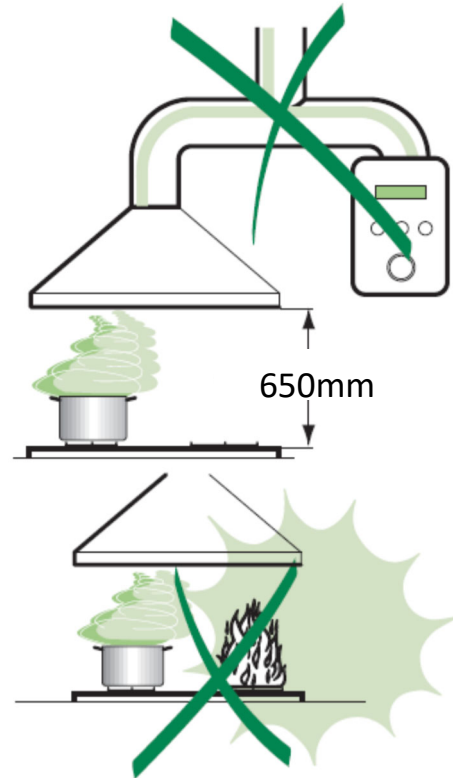
Dear Customer

Thank you for choosing our product. This appliance is easy to use; however please read this handbook carefully before installing and operating it. Herein, you will find the correct method of installation and tips for best use and maintenance of the product.

- This appliance is designed to be handy for any adult to use at home. Do not allow children to play with it. Children need to be supervised when the product is in operation so that they do not go near the range hood.
- This product must be connected in accordance with current electrical regulations. A fixed wiring installation is to be done only by an authorised electrician.
- **WARNING: THIS APPLIANCE MUST BE EARTHED.**
Means for disconnection must be incorporated in the fixed wiring in accordance with the wiring rules.
- **Electrical Connection :**

Green & yellow	=	EARTH
Blue	=	NEUTRAL
Brown	=	LIVE
- Fixed wiring must be protected.
- Never use reductions, shunts, adaptors that can cause overheating or burning.
- It is strictly prohibited to modify any part of this appliance. Modification is to be done at user own risk.
- Before maintenance or cleaning of the product, disconnect the appliance from the mains.
- For any repairs, always contact authorized Customer Service Centre and ask for original spare parts. Repairs by untrained people may lead to damage and void the warranty.

- Packaging cling film, polystyrene and plastic wrappings must be kept out of reach of babies and young children to avoid suffocation.
- Do not connect the appliance if there are obvious signs of transportation damage. If the supply cord is damaged, it must be replaced by the manufacturer, or its service agent as mentioned in Clause 7 (60335-2-31)
- Ensure the location in which this appliance is installed has good, permanent ventilation.
- The distance between the bench top to the lower part of the hood must not be at less than 65 cm and it is not recommended to be more than 75 cm for optimal operation.
- Do not leave lit gas burners exposed due to risk of fire.
- The exhaust from the canopy range hood must not be discharged into any heating flue.
- This product must not be disposed with the domestic waste. It has to be disposed at an authorised bin for recycling the appliances.
- This appliance is not intended for use by person (including children) with reduced physical, sensory or mental capabilities or lack of experience and knowledge. Unless, they have been given supervision or instruction regarding the use of appliance by personnel who is responsible for their safety.
- There is risk of catching fire if cleaning is not carried out in accordance with the frequency suggested and instructions

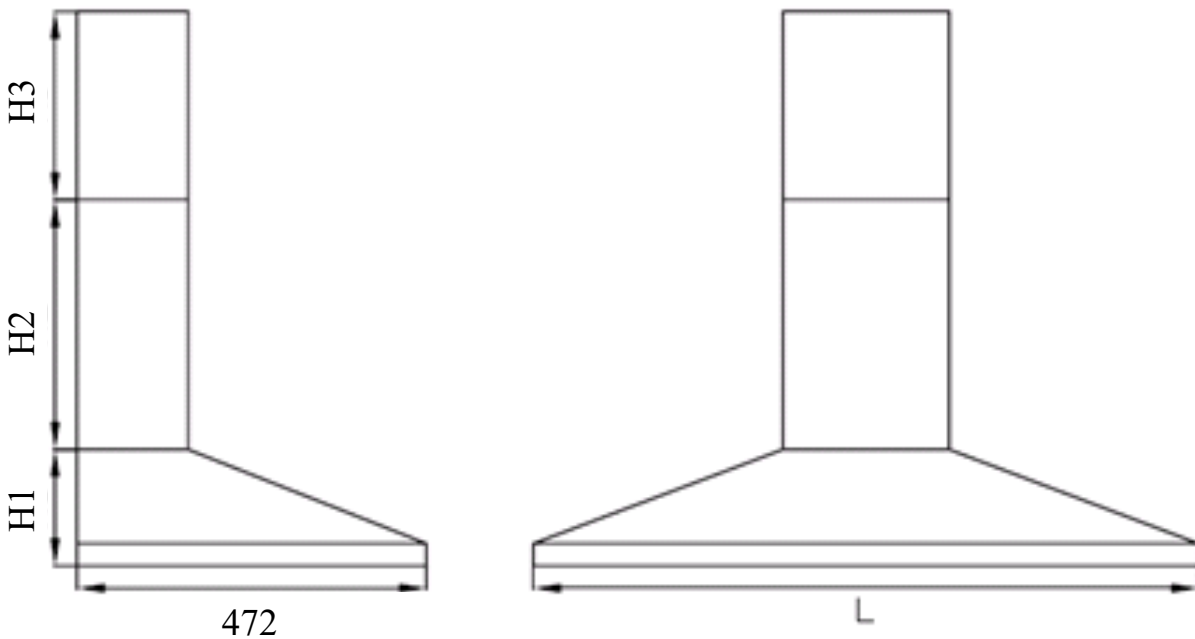


The manufacturer shall not be liable for any direct or indirect damage caused by faulty installation. The installer must ensure that the product installation and connection complies with the local and general regulation in force.

Product Specification

CH606SS / CH906SS

- Voltage / Frequency : 220-240Vac / 50Hz
- Rated Power : 213W
- Rated Motor : 210 W
- Motor Capacity : 600m3/hr
- Filter : Aluminium & Charcoal (Optional)
- Lighting : LED round light
- Speed Settings : 3 speed
- Ducting : Ducted OR Recirculation
- External Dimension :



Dimension Model	L	H1	H2	H3
CH606SS	600mm	238mm	500mm	490mm
CH906SS	900mm	238mm	500mm	490mm

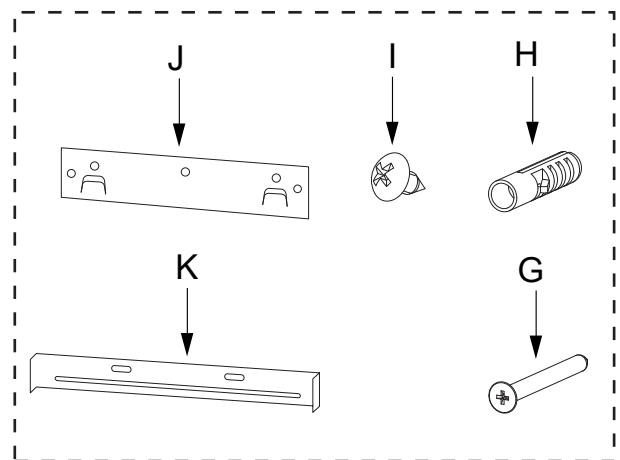
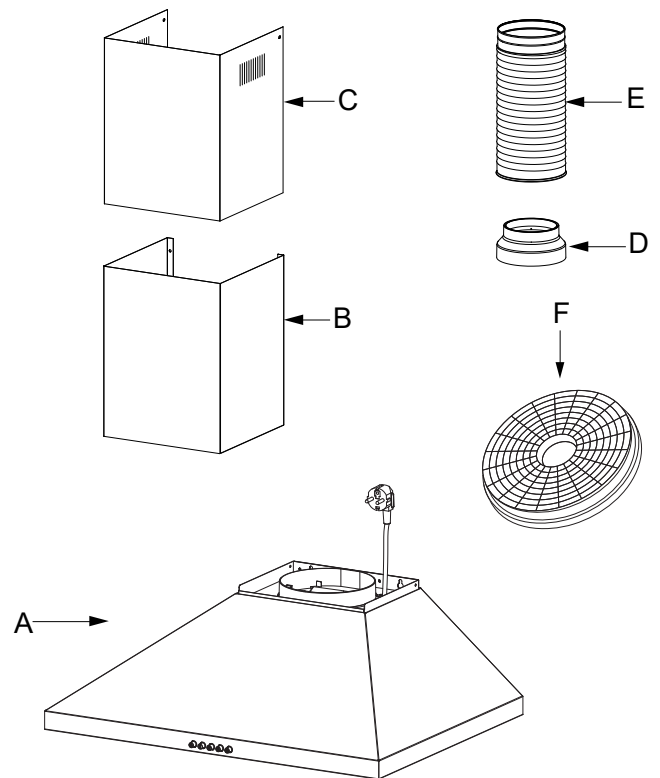
Product Overview

Complete product comes with the following :

Model : **CH606SS / CH906SS**

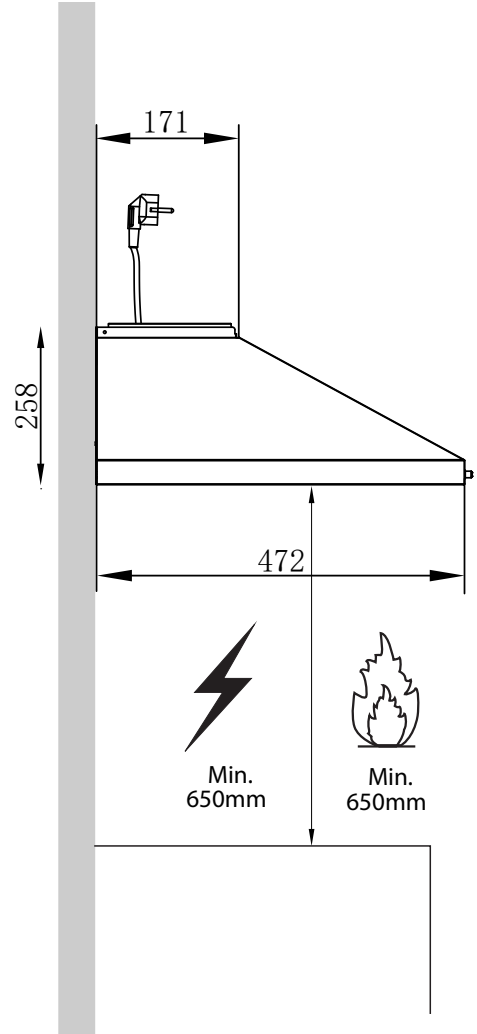
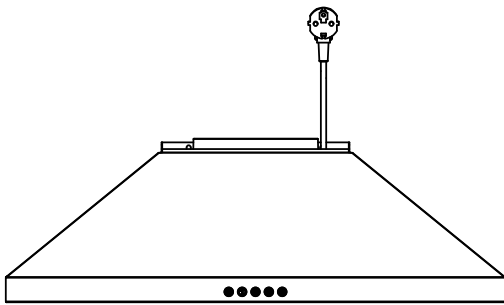
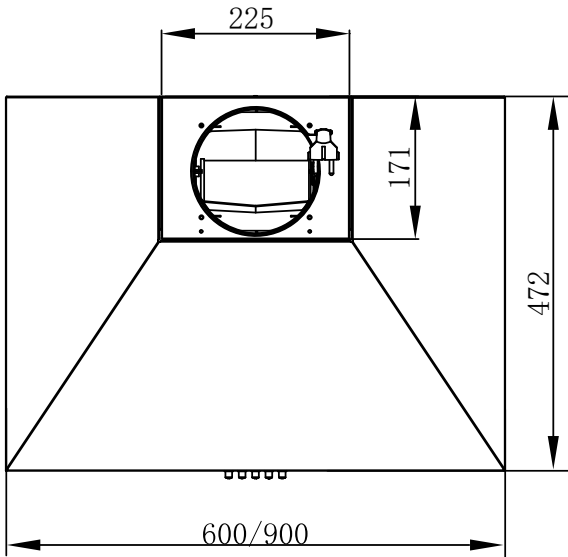
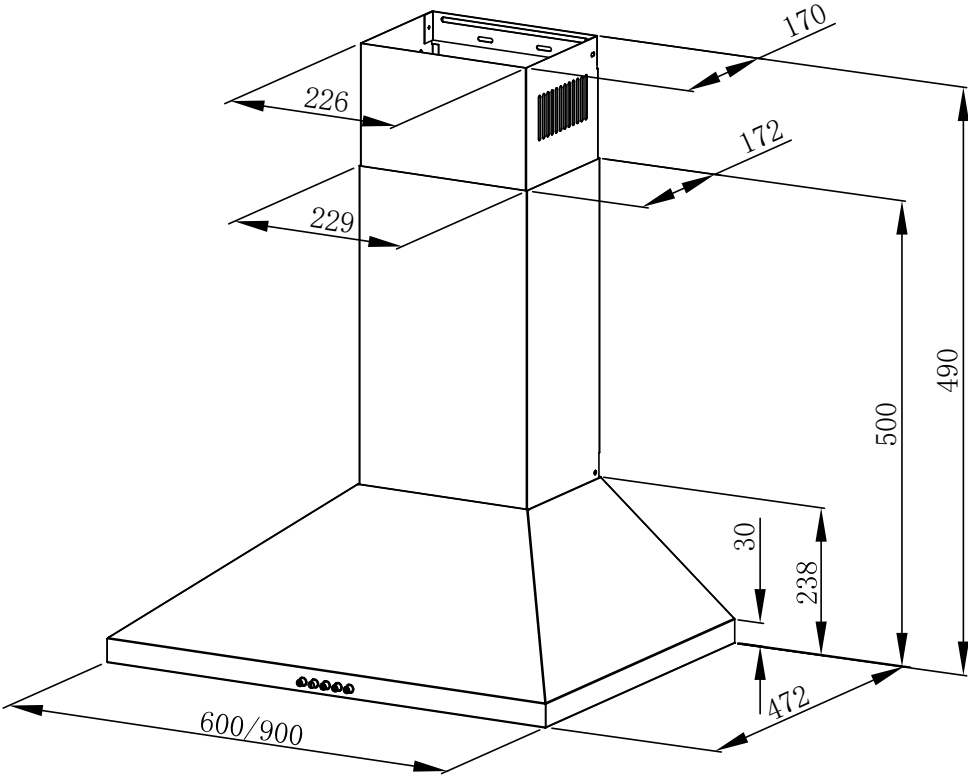
- 1 x chimney rangehood body with integrated motor, controls & light
- 1 x user manual & warranty card
- Fixing brackets & screws

- A. Canopy Section with integrated motor
- B. Lower Chimney Cover
- C. Upper Chimney Cover
- D. Flange (Optional)
- E. Duct Pipe
- F. Charcoal Filter (Optional)
- G. 7pcs of screw 5*50
- H. 7pcs of wall plugs
- I. 6pcs of screws 4.2*9.5
- J. Hood fixing bracket
- K. Chimney mounting bracket



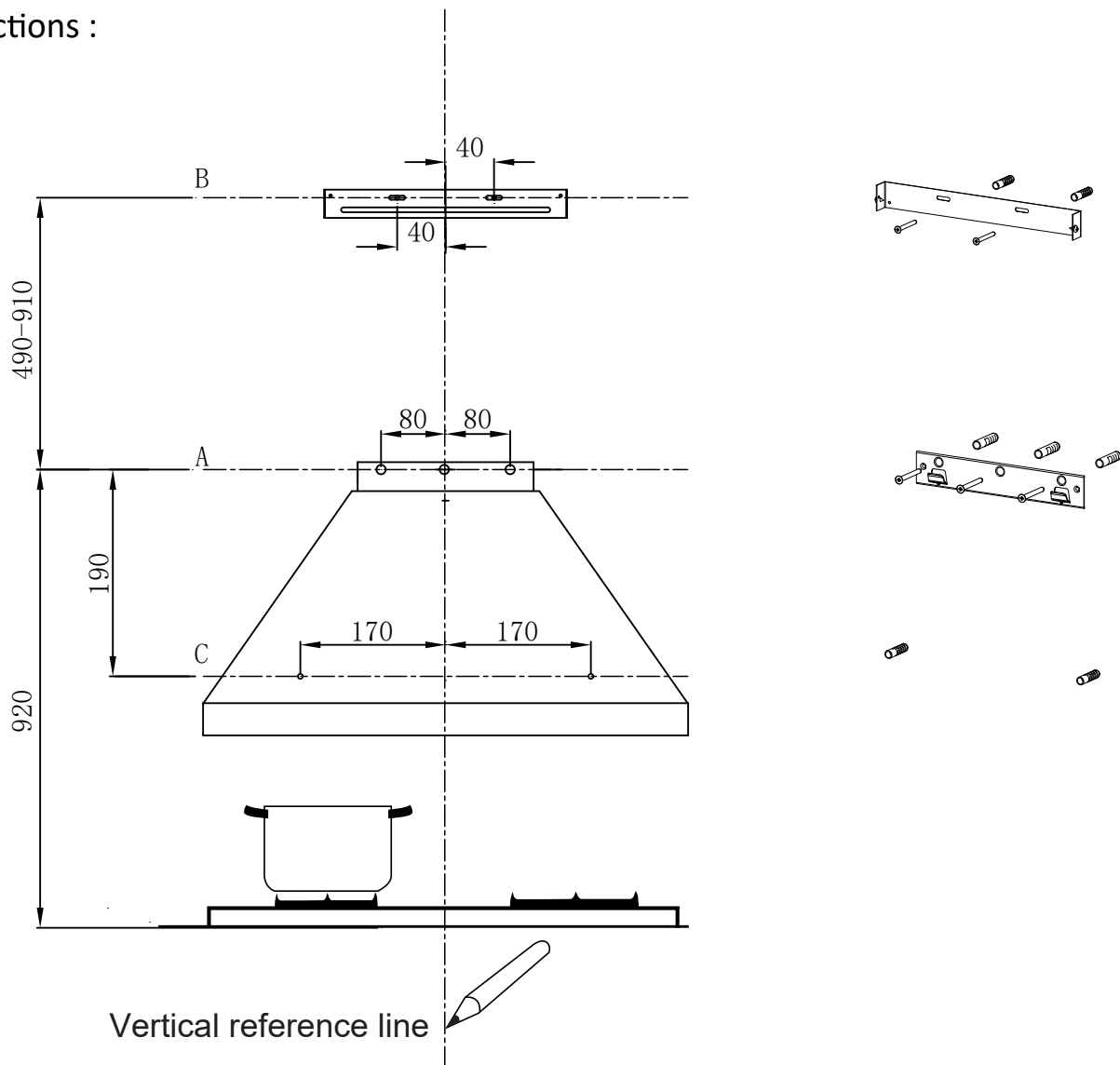
Dimensions

unit : mm



Installation Instruction

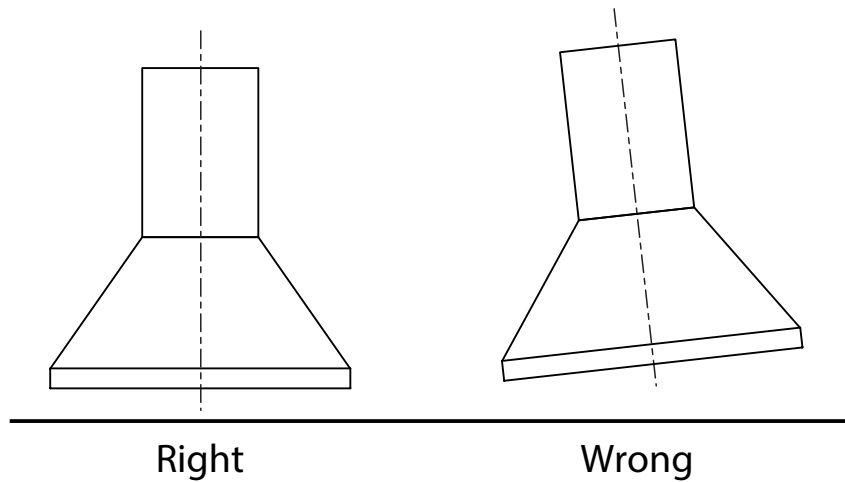
To install the chimney hood body, predetermine a location and follow the below instructions :



Wall marking:

- Draw a vertical line on the wall where the chimney is to be installed.
- Draw a horizontal line A at 920mm above the hob. Mark at 80mm offset left and right from the vertical line. These two holes are for hood fixing bracket.
- Next, adjust the height according to upper chimney cover, draw a horizontal line B at 490-910mm above line A. Mark at 40mm offset left and right from the vertical line. These two holes are for upper chimney cover.
- Draw a horizontal line C at 190mm below line A. Mark at 170mm offset left and right from the vertical line. These two holes are to mount the hood body.

- Drill holes at the marking points with a \varnothing 10mm drill bit.
- Insert the wall plugs and fix the two brackets by using the screws (5*50) supplied at line A & B.
- Mount the hood body to the hood mounting bracket. Level the hood body correctly. Remove the aluminium filter from the bottom of the hood body, fix 2 screws (5*50) and wall plugs at points marked at line C.



Ducted mode (Vented mode)

In the ducted mode, air is drawn into the hood. Oil is trapped in the aluminium filter while odours, fumes and condensation are then directed and vented to the outside.

Only the aluminium filters is to be installed in the ducted mode.

Ductwork should be planned carefully before drilling and cutting the duct.

Installer must ensure that the product installation and connection complies with the local and general ducting regulation in force. Flexible ductwork is recommended. Extend duct to its full length, and position, cut and discard any excess. Note : Keep duct as straight as possible for maximum air flow and at least restrictions, while providing for easy maintenance

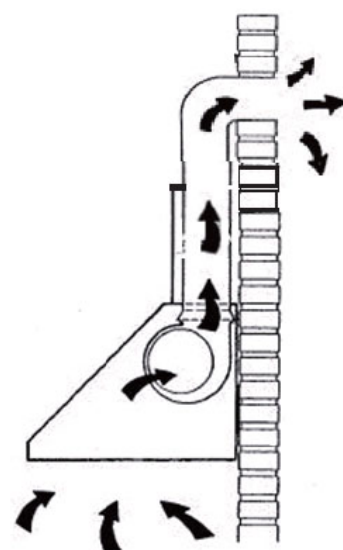
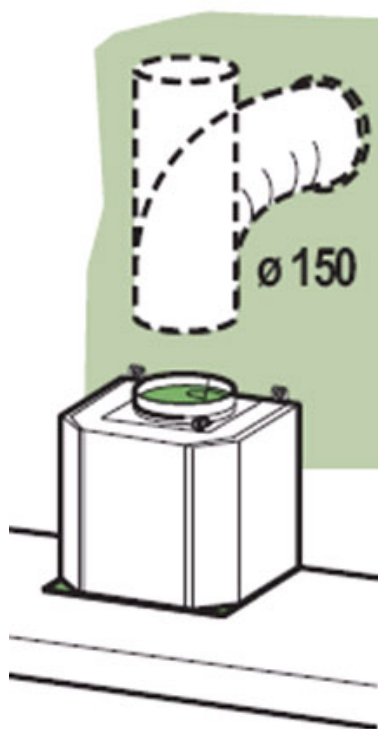
Vented system must be terminated to the outside. Ductwork can extend either through the wall or the roof. Do not terminate the vent system in an attic or other enclosed area.

The length of the ductwork and the number of elbows should be kept to minimum to provide efficient performance. The size of the ductwork should be uniform. Do not install two elbows together. Use duct tape to seal all joints in the ductwork system. Use caulking to seal exterior wall or floor opening around the cap.

When the hood is working at the same time with other non-electrical cooking equipment, the negative pressure of the room must not exceed 4Pa.

Make sure there is proper clearance within the wall or floor for exhaust duct before making cutouts. Do not cut a joist or stud unless absolutely necessary. If a joist or stud is to be cut, then a supporting frame have to be constructed.

Connect the $\varnothing 150$ mm duct pipe from the hood body to exit / vent point of the hood. Fix the duct pipe in position by ring clamps (not provided by manufacturer)
Make sure the charcoal filter is removed (if any).



Ducted Air Flow

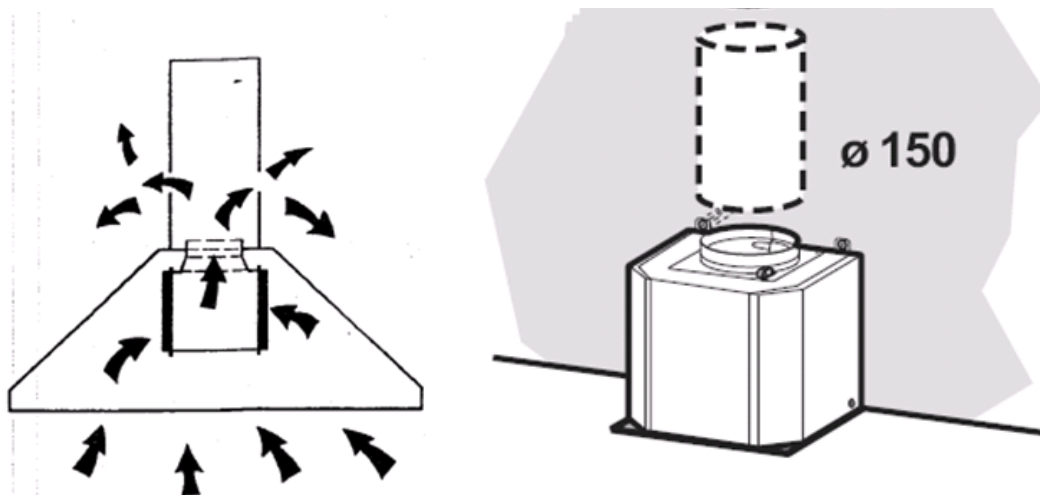
Recirculation Mode

In the recirculation mode, air is drawn into the hood. Oil is trapped in the aluminium filters while cooking odours are removed by the charcoal filter. Purified air then is directed back to the kitchen.

In this mode, charcoal filter is strongly recommended to be fitted to the rangehood.

Connect the outlet connection to the hood body using a \varnothing 150mm pipe.

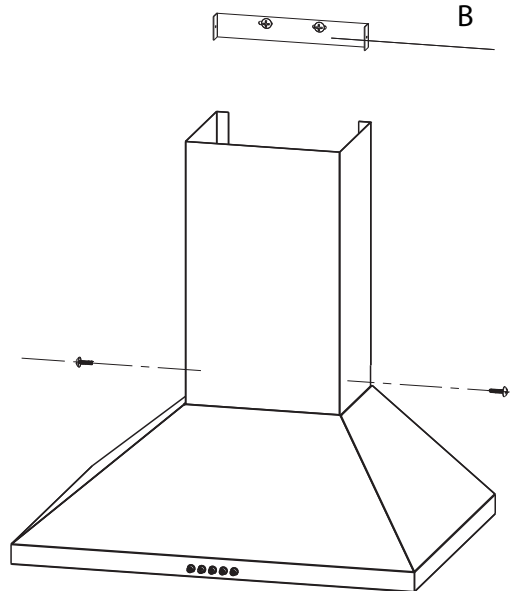
Ensure that the charcoal filters is installed in position.



Chimney Assembly

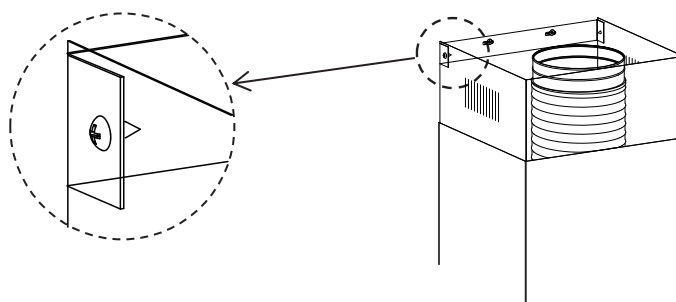
Lower chimney

- Slightly widen the two sides of the chimney and secure the lower parts laterally to the hood body by using two 4.2*9.5 screws provided.



Upper chimney

- Slightly widen the two sides of the upper chimney and secure it at the mounting bracket at line B, make sure that it is fitted firm.
- Secure the sides of the brackets by using two 4.2*9.5 screws provided.



Note : To avoid scratching the chimney during installation, do NOT peel the protective film off until both upper & lower chimneys are fixed in place. After both chimneys are secured and fixed, use a blade to gently cut the film where the chimney joins to cleanly remove the film.

Electrical Connection

Before connecting to the mains, make sure that :

- The electric meter, fuse, feeding line and socket are adequate to withstand the maximum load required (refer to product data label for rated power)
- The supply system is regularly earthed, according to the regulations in force.
- The isolation switch can easily be reached after the rangehood is installed.

Rangehood Operation & Control

The hood is equipped with a 3-speed control motor. Electronic control buttons are located at the front edge of the hood canopy.

To achieve better results, it is recommended to switch the hood on 3 to 5 mins before cooking starts. Likewise, let the hood run for a few minutes after cooking.



Light On / Off

To turn the lighting system on and off.



Fan On / Off at Low Speed

To turn the extractor motor On or Off at low speed. This mode provides a continuous and low volume extraction in the presence of light cooking vapours.



Fan On / Off at Medium Speed

To turn the extractor motor On or Off at medium speed. Suitable for most operating conditions. This mode provides the optimum treated air flow to noise level ratio.



Fan On / Off at High Speed

To turn the extractor motor On or Off at high speed. Suitable for eliminating the high levels of cooking vapours and long cooking period.



Power Off

To turn off motor operation.

Cleaning & Maintenance

Caution: Prior to cleaning or maintenance, always disconnect the power supply.

Do not use a steam cleaner.

To ensure the range hood is functioning effectively, regular maintenance is a must.

Warning: a build-up of oil may occur if the range hood is not cleaned regularly

Surfaces : Clean with warm soapy water and a soft sponge. Never use abrasive detergent, scouring pads, steel wool or solvents on any part of this appliance as this will cause irreparable damage. Dry the rangehood by using a cloth that does not produce fluff.

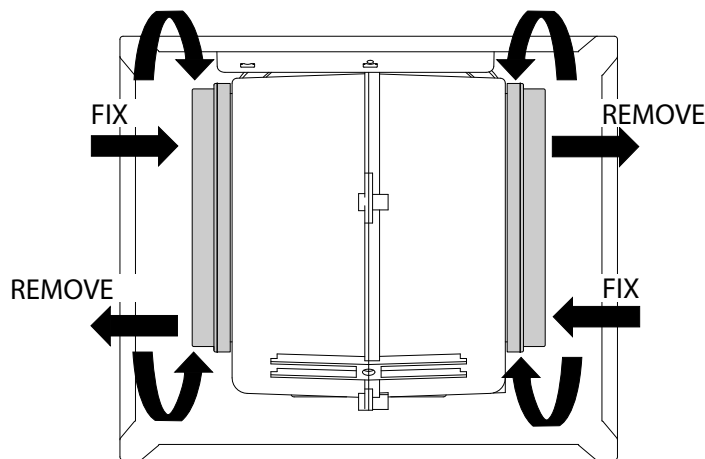
Aluminium Filter : Remove the filters one by one pushing them towards the back side of the hood and simultaneously pulling downwards. Any kind of bending the filters has to be avoided when washing them. This could be washed in a dishwasher. It is advisable to stack them vertically to avoid food residue sticking to them. Or soak the aluminium filter in a degreasing agent until all grease is dissolved. Then clean it under a flowing water tap, and rinse it off. Before fitting them back to the hood, make sure the filters are completely dry.

Note: Frame discolouration may occur if the filter is washed in a dishwasher.

Charcoal Filter (Recirculation installation) : The charcoal filter should be replaced when it is noticeably dirty or discoloured (usually after 4 to 6 months, depending on the usage). It is **not** washable and cannot be regenerated. The charcoal filter must be replaced with a similar and appropriate type. Clogged filters restrict airflow and may cause of overheating the extractor motor.

To replace the charcoal filter:

- First remove the Aluminium filter from the hood body
- Remove the charcoal filter from the hood motor by turning it according to the picture below :



- Fit new charcoal filters to the hood motor.
- Fit the Aluminium filter back in place.

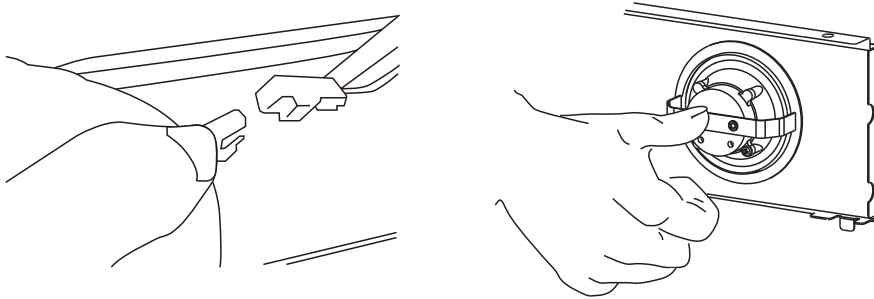
Troubleshooting

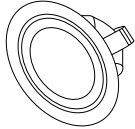
Scenario	Possible Causes	Solution
Motor does not work	No power supply	Ensure the appliance is connected to mains properly
		Reset the circuit breaker
Poor Airflow	Aluminium filter is clogged	Clean the filter and refit it after it is dry
	Charcoal filter is clogged	Replace with new charcoal filters
Motor is running but there is no airflow	Butterfly valve is jammed	Contact the service agent
Poor Extraction rate	Inadequate ventilation	Ensure the kitchen ventilation is good to allow entry of fresh air
	Charcoal filters are not installed	Install the charcoal filters for setting in recirculation mode
Motor cuts out after a few minutes	High temperature safety device is activated	Check if the kitchen ventilation is good and sufficient
	The distance between the hood installed and the cooking stove is short	Make sure the hood is installed at a minimum of 65cm above the cooking stove
Oil dripping to the stove	Aluminium filter is saturated	Clean the filter and refit it after it is dry
Whirring sound during hood operation	Foreign object in contact with the fan blade	Contact the service agent
Lamps do not light up	Light module is burnt out.	Contact the service agent. Light bulb cannot be replaced solely, the entire light module has to be replaced by service agent

Light Module Replacement

Warning! This has to be done by licensed electrician.

- The light blubs cannot be replaced by user, the entire light module has to be replaced by a licensed electrician.
- When changing the light module, the contacts are live.
- Unplug the appliance from the mains or switch off the circuit breaker before the replacement takes place.
- Remove the Aluminium filters from the hood body.
- Disconnect the LED terminals.
- Press the LED from the back of the front panel, remove the LED.
- Replace the module with new one. It is a commercially available LED module (max 1.5W)



Type	Max Power	Voltage	Picture	Lamp Cap	ILCOS D Code
LED module, separate ballast	1.5W	DC 12V	 Diameter: 70mm	—	DSR-1.5-S-70

Schematic Diagram

