



Undermount Rangehood

CE528MP

CE528BP

CE728MP

CE928MP

CE928BP

Installation and Operation Manual

To avoid the risk of accident or damage to the appliance, it is **essential** to read the following instructions prior to product installation and / or first time usage.

CONTENTS

Important Note	Page 3
Product Specification	Page 6
Installation Instruction	Page 8
Ducted mode	Page 14
Recirculation mode	Page 16
Electrical Connection	Page 17
Rangehood Operation & Control	Page 18
Cleaning and Maintenance	Page 19
Troubleshooting	Page 21
Schematic Diagram	Page 22

Important Notes

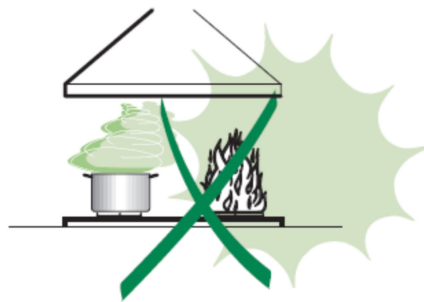
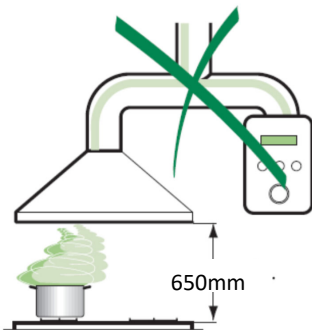
Dear Customer

Thank you for choosing our product. This appliance is easy to use; however please read this handbook carefully before installing and operating it. Herein, you will find the correct method of installation and tips for best use and maintenance of the product.

- This appliance is designed to be handy for any adult to use at home. Do not allow children to play with it. Children need to be supervised when the product is in operation so that they do not go near the range hood.
- This product must be connected in accordance with current electrical regulations. A fixed wiring installation is to be done only by an authorised electrician.
- **WARNING: THIS APPLIANCE MUST BE EARTHED.**
Means for disconnection must be incorporated in the fixed wiring in accordance with the wiring rules.
- **Electrical Connection :**

Green & yellow	=	EARTH
Blue	=	NEUTRAL
Brown	=	LIVE
- Fixed wiring must be protected.
- Never use reductions, shunts, adaptors that can cause overheating or burning.
- It is strictly prohibited to modify any part of this appliance. Modification is to be done at user own risk.
- Before maintenance or cleaning of the product, disconnect the appliance from the mains.
- For any repairs, always contact authorized Customer Service Centre and ask for original spare parts. Repairs by untrained people may lead to damage and void the warranty.

- Packaging cling film, polystyrene and plastic wrappings must be kept out of reach of babies and young children to avoid suffocation.
- Do not connect the appliance if there are obvious signs of transportation damage. If the supply cord is damaged, it must be replaced by the manufacturer, or its service agent as mentioned in Clause 7 (60335-2-31)
- Ensure the location in which this appliance is installed has good, permanent ventilation.
- The minimum distance between the supporting surface for the cooking vessels on the hob and the lowest part of the range hood. This distance shall be at least 65 cm. If the instructions for installation specify a smaller distance, this has to be taken into account. The distance of 65 cm can be reduced for: non-combustible parts of range hoods, except grease filters, and parts operating at safety extra low voltage, provided these parts do not give access to live parts if deformed.
- Do not leave lit gas burners exposed due to risk of fire.
- The exhaust from the canopy range hood must not be discharged into any heating flue.
- This product must not be disposed with the domestic waste. It has to be disposed at an authorised bin for recycling the appliances.



- This appliance is not intended for use by person (including children) with reduced physical, sensory or mental capabilities or lack of experience and knowledge. Unless, they have been given supervision or instruction regarding the use of appliance by personnel who is responsible for their safety.
- There is risk of catching fire if cleaning is not carried out in accordance with the frequency suggested and instructions
- The filter is made of high density aluminium.
- Please do not use corrosive detergent for cleaning. The rangehood should be cleaned with warm water and non-corrosive detergent every two months.
- The air must not be discharged into a flue that is used for exhausting fumes from appliances burning gas or other fuels.
- The range hood is for home use only, not suitable for barbecue, roast shop and other commercial purposes.
- The range hood and its filter should be cleaned regularly according to the instructions.
- Range hoods and other cooking fume extractors may adversely affect the safe operation of appliances burning gas or other fuels (including those in other rooms) due to back flow of combustion gases. These gases can potentially result in carbon monoxide poisoning. After installation of a range hood or other cooking fume extractor, the operation of flued gas appliances should be tested by a competent person to ensure that back flow of combustion gases does not occur.

The manufacturer shall not be liable for any direct or indirect damage caused by faulty installation. The installer must ensure that the product installation and connection complies with the local and general regulation in force.

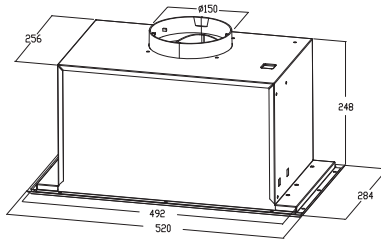
Product Specification

	CE528MP/CE528BP	CE728MP
Voltage / Frequency	: 220-240Vac / 50Hz	220-240Vac / 50Hz
Rated Power	: 293 W	293 W
Air Flow	: 800m ³ /hr	800m ³ /hr
Motor Power	: 290W	290W
Filter	: Aluminium or Charcoal (Optional)	Aluminium or Charcoal (Optional)
Lighting	: LED light 1.5W x 2	LED light 1.5W x 2
Speed Settings	: 3 speed	3 speed
Ducting	: Ducted or Recirculation (Optional)	Ducted or Recirculation (Optional)
Ducting size	: 150mm	150mm

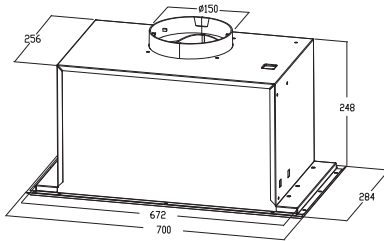
	CE928MP/CE928BP
Voltage / Frequency	: 220-240Vac / 50Hz
Rated Power	: 293 W
Air Flow	: 800m ³ /hr
Motor Power	: 290W
Filter	: Aluminium or Charcoal (Optional)
Lighting	: LED light 1.5W x 2
Speed Settings	: 3 speed
Ducting	: Ducted or Recirculation (Optional)
Ducting size	: 150mm

External Dimension :

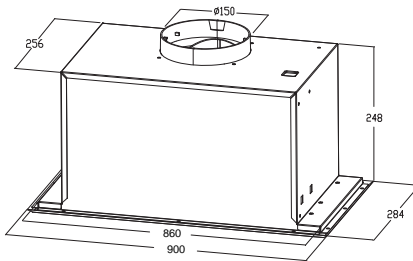
CE528MP/CE528BP



CE728MP



CE928MP/CE928BP



Complete product comes with the following :

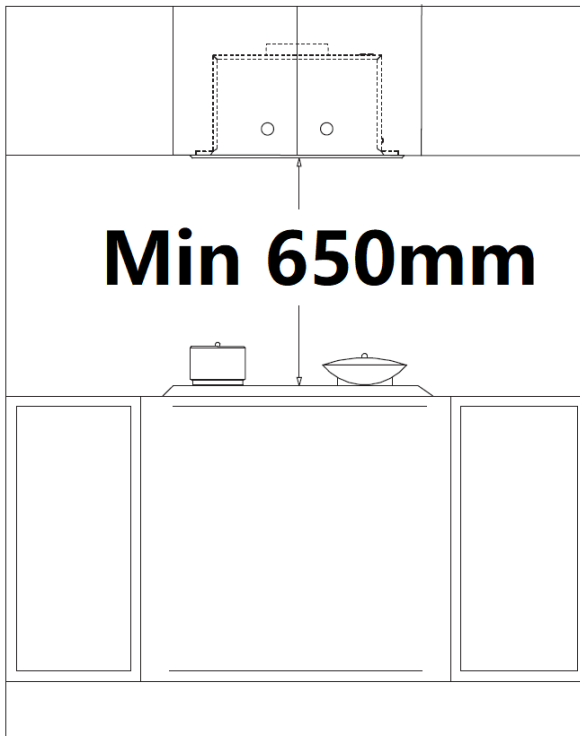
- 1 x rangehood body
- 1 x user manual & warranty card
- Fixing screws

Installation Instruction

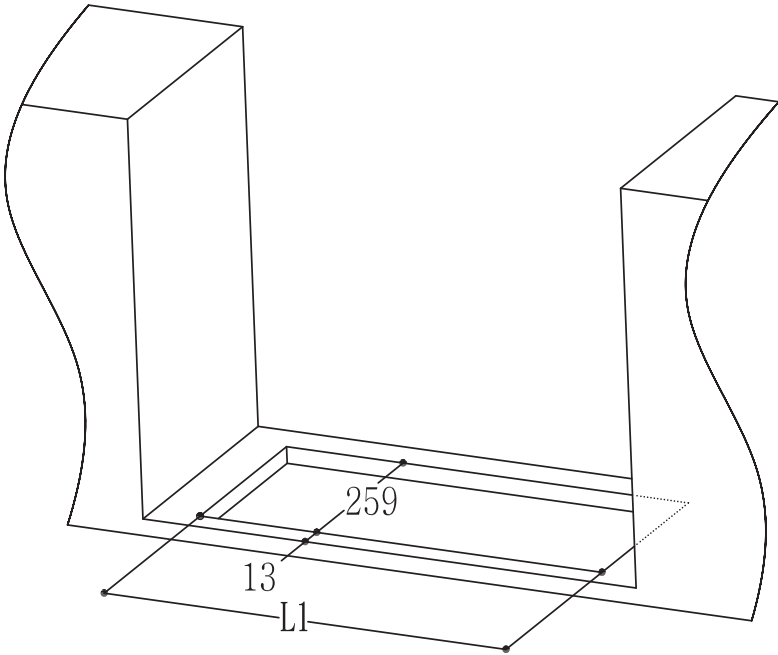
Mount the rangehood to the bottom panel of a kitchen cabinet. The lower part of the hood must be located at a minimum height of 650mm above any cooker hob. The range hood installation shall comply with 650mm or the distance specified in the cooker hob instruction manual, whichever is higher. Any installation above 750mm will compromise the range hood performance.

When the hood is working at the same time with other non-electrical cooking equipment, the negative pressure of the room must not exceed 4Pa.

The rangehood is to be installed horizontally and not tilted at one side.



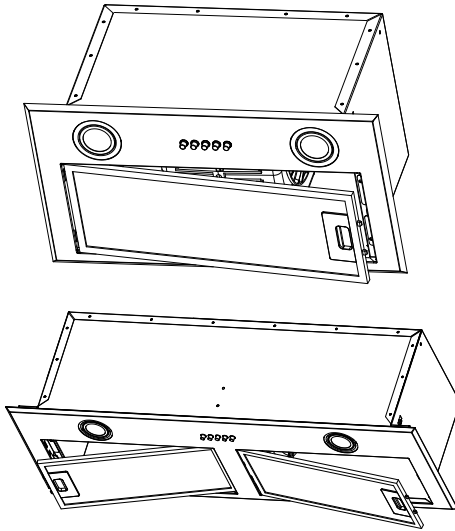
Cabinet cutout dimensions :



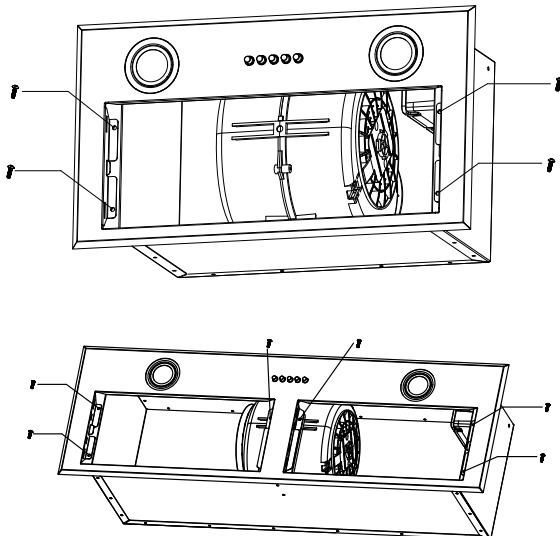
Dimension Model	L1
CE528MP/CE528BP	497mm
CE728MP	677mm
CE928MP/CE928BP	865mm

Installation Steps

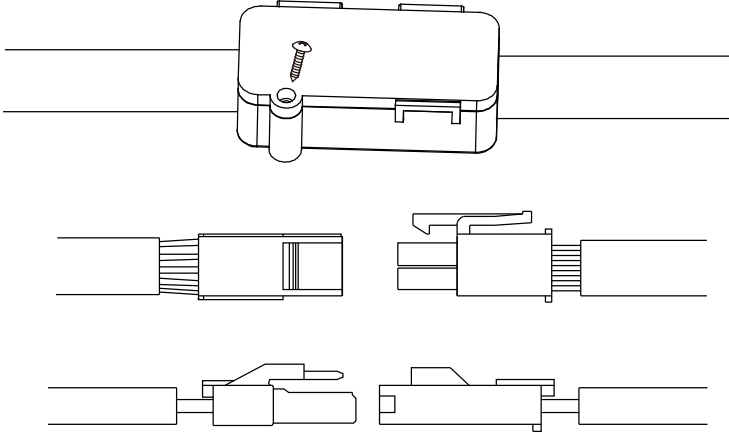
1. Remove the metal filter.



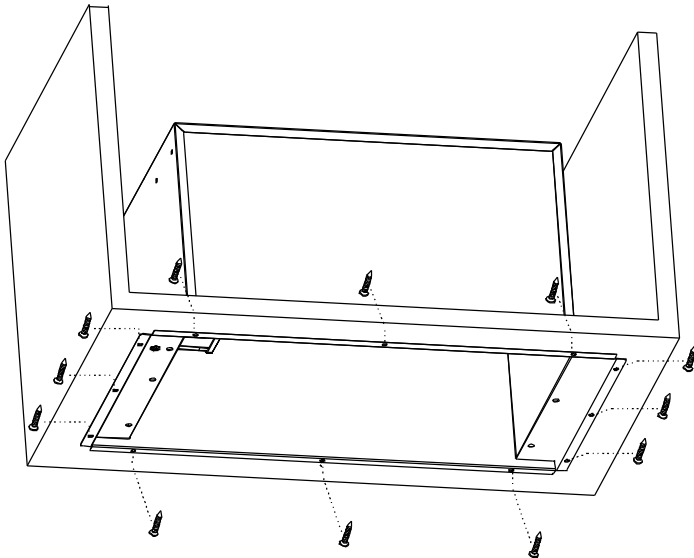
2. Remove the stainless steel frame by unfastening 4 pcs of M4*10 screws and CE928MP model unfastening the other 2 screws (M4*8).



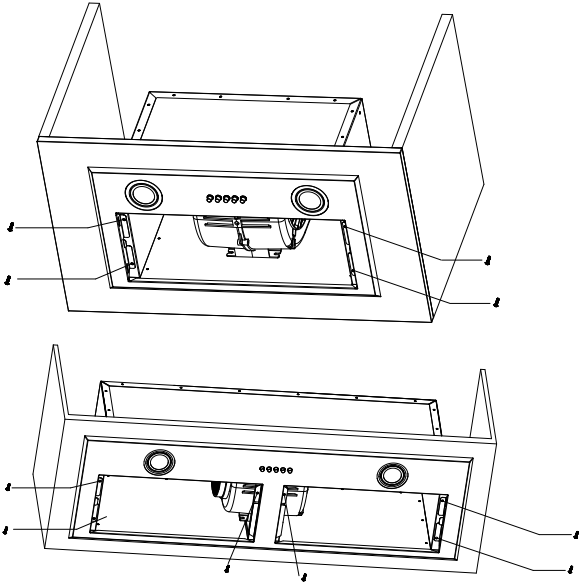
- Unfastening ST4*10 of the terminal box, remove the lid of the terminal box, disconnect the control board wires. Disconnect the LED light wires.



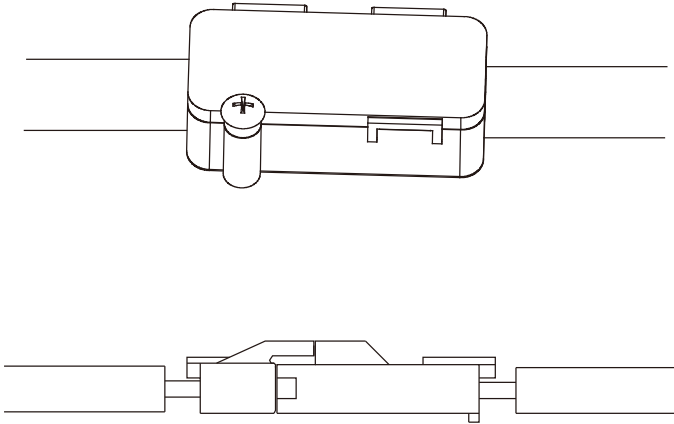
- Fix the rangehood to the cabinet cutout by using 12 pcs of ST4*18 screws.



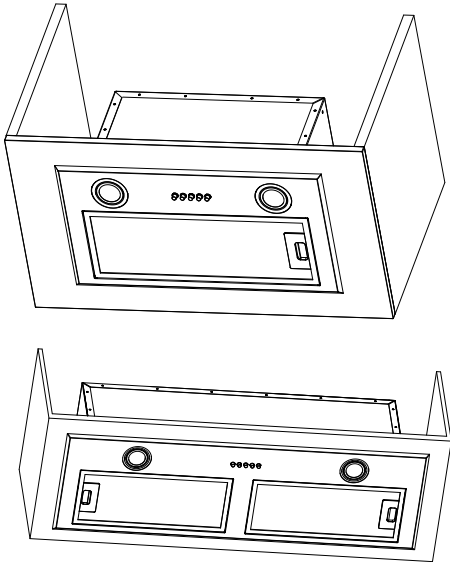
5. Put the stainless steel frame back into place and fasten the screws removed just now.



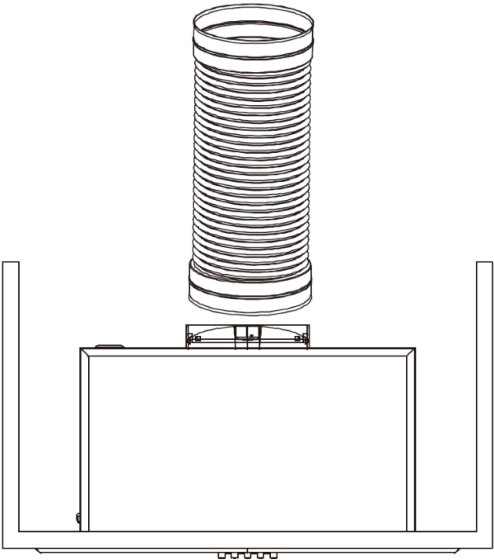
6. Reconnect the control board and LED lights wires in the terminal box. Close the terminal box lid and secure it with the ST4*10 screw.



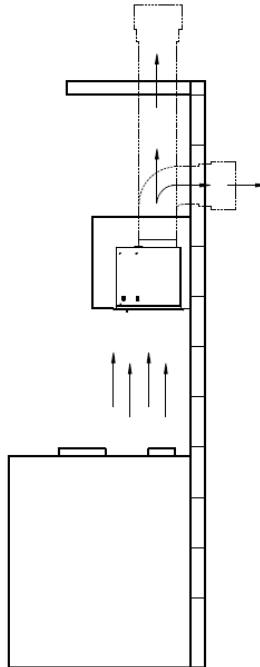
7. Put the metal filter back into place.



8. Install the 150mm duct pipe (optional)



Ducted mode (Vented mode)



In the ducted mode, air is drawn into the hood. Oil is trapped in the aluminium filter while odours, fumes and condensation are then directed and vented to the outside.

Only the aluminium filters is to be installed in the ducted mode.

Ductwork should be planned carefully before drilling and cutting the duct.

Installer must ensure that the product installation and connection complies with the local and general ducting regulation in force. Flexible ductwork is recommended. Extend duct to its full length, and position, cut and discard any excess.

Note : Keep duct as straight as possible for maximum air flow and at least restrictions, while providing for easy maintenance.

Vented system must be terminated to the outside. Ductwork can extend either through the wall or the roof. Do not terminate the vent system in an attic or other enclosed area.

The length of the ductwork and the number of elbows should be kept to minimum to provide efficient performance. The size of the ductwork should be uniform. Do not install two elbows together. Use duct tape to seal all joints in the ductwork system. Use caulking to seal exterior wall or floor opening around the cap.

When the hood is working at the same time with other non-electrical cooking equipment, the negative pressure of the room must not exceed 4Pa.

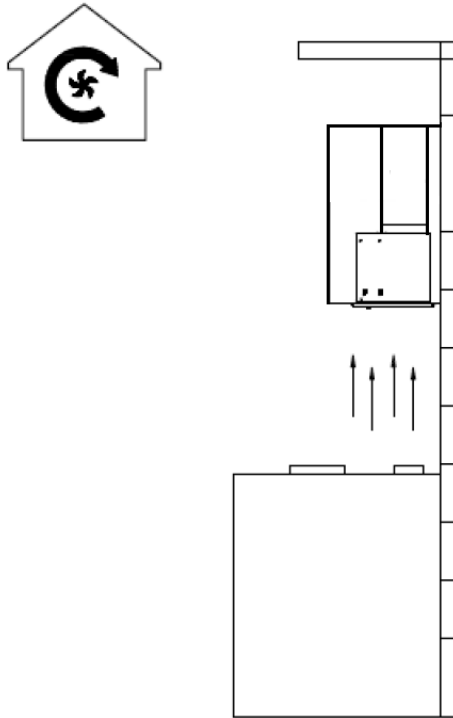
Make sure there is proper clearance within the wall or floor for exhaust duct before making cutouts. Do not cut a joist or stud unless absolutely necessary. If a joist or stud is to be cut, then a supporting frame have to be constructed.

Connect the \varnothing 150mm duct pipe from the hood body to the rangehood motor. Fix the duct pipe in position by ring clamps (not provided by manufacturer)

Fix the duct pipe in position by ring clamps (not provided by manufacturer)

Make sure the charcoal filter is removed (if any).

Recirculation mode



In the recirculation mode, air is drawn into the hood. Oil is trapped in the aluminium filters while cooking odours is removed by the charcoal filter. Purified air then is directed back to the kitchen.

In this mode, **charcoal filter is strongly recommended to be fitted to the rangehood.**

Electrical Connection

Before connecting to the mains, make sure that :

- The electric meter, fuse, feeding line and socket are adequate to withstand the maximum load required (refer to product data label for rated power)
- The supply system is regularly earthed, according to the regulations in force.
- The isolation switch can easily be reached after the rangehood is installed.

Rangehood Operation & Control

The hood is equipped with a 3-speed control motor. Electronic control buttons are located at the front edge of the hood canopy.

To achieve better results, it is recommended to switch the hood on 3 to 5 mins before cooking starts. Likewise, let the hood run for a few minutes after cooking.



Light On / Off

To turn the lighting system on and off.



Fan at Low Speed

To turn the extractor motor On at low speed. This mode provides a continuous and low volume extraction in the presence of light cooking vapours.



Fan at Medium Speed

To turn the extractor motor On at medium speed. Suitable for most operating conditions. This mode provides the optimum treated air flow to noise level ratio.



Fan at High Speed

To turn the extractor motor On at high speed. Suitable for eliminating the high levels of cooking vapours and long cooking period.



Power Off

To turn extractor motor Off.

Cleaning & Maintenance

Caution: Prior to cleaning or maintenance, always disconnect the power supply.

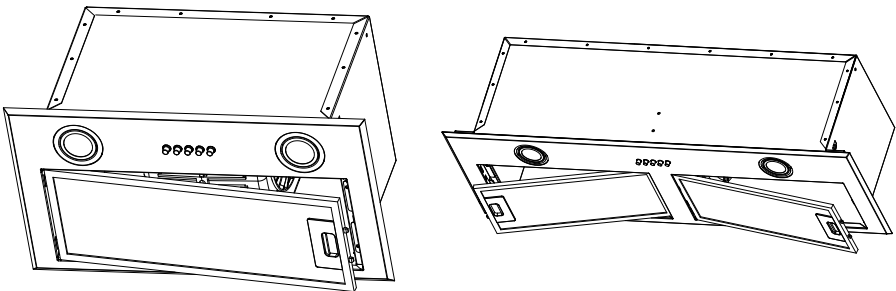
Do not use a steam cleaner.

To ensure the range hood is functioning effectively, regular maintenance is a must.

Surfaces : Clean with warm soapy water and a soft sponge. Never use abrasive detergent, scouring pads, steel wool or solvents on any part of this appliance as this will cause irreparable damage. Dry the rangehood by using a cloth that does not produce fluff.

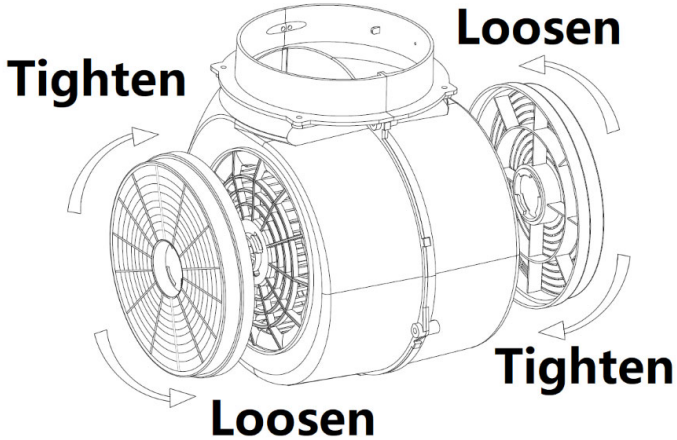
Metal Filter : This could be washed in a dishwasher with set temperature below 60degreeC. It is advisable to stack them vertically to avoid food residue sticking to them. Or soak the metal filter in a degreasing agent until all grease is dissolved. Then clean it under a flowing water tap, and rinse it off.

Note: Frame discolouration may occur if the filter is washed in a dishwasher.

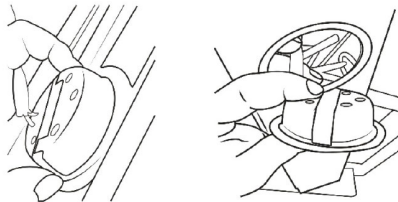



Warning: a build-up of oil may occur if the range hood is not cleaned regularly

Charcoal Filter : Charcoal filter is not washable. To change the charcoal filter, first remove the metal filter, then loosen and remove the charcoal filter as indicated in diagram below. Get a pair of new charcoal filter and tighten them to fit to the side of extractor motor in the opposite direction.



LED replacement: Contact authorised seller for replacement part. Remove the metal filter and push the LED from inside the hood body to remove the LED. Disconnect the LED wires and replace the connection with a new LED. Push the LED from outside the rangehood body to fix it to the lamp hole.



	Max Power	Voltage	Picture	Lamp Cap	ILCOS D code
Round/ Diameter : 70mm	1.5W	DC 12 V		---	DSR-1.5-S-70

Troubleshooting

Scenario	Possible Causes	Solution
Motor does not work	No power supply	Ensure the appliance is connected to mains properly
		Reset the circuit breaker
Lights On, but motor does not work	Foreign object blocked the fan blade	Contact the service agent
	Capacitor or motor is damaged	Contact the service agent
Poor Airflow	Metal filter is clogged	Clean the filter and refit it after it is dry
Motor is running but there is no airflow	Butterfly valve is jammed	Contact the service agent
Motor cuts out after a few minutes	High temperature safety device is activated	Check if the kitchen ventilation is good and sufficient
	The distance between the hood installed and the cooking stove is short	Make sure the hood is installed at a position of 65-75cm above the cooking stove
Oil dripping to the stove	Aluminium filter is saturated	Clean the filter and refit it after it is dry
Whirring sound during hood operation	Foreign object in contact with the fan blade	Contact the service agent
	Blade is damaged	Contact the service agent
Lamps do not light up	Light bulb is burnt out	Change the light bulb
	Light bulb is loose	Make sure the light bulb is fixed firm.

Schematic diagram

