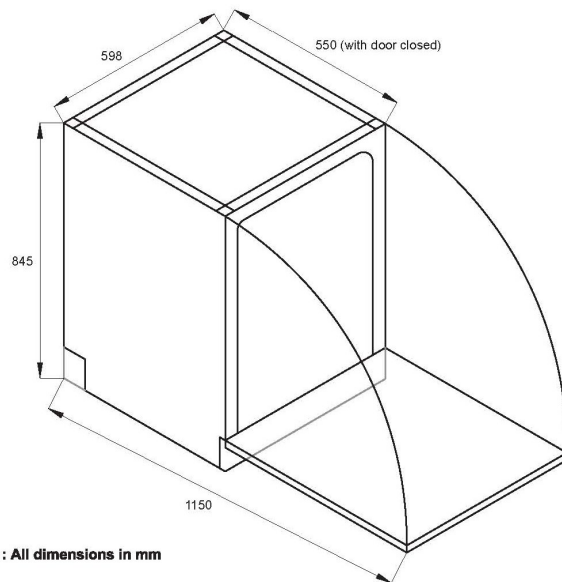


Fully Integrated Dishwasher 600mm – DW360FI (door panel is optional extra)



Product Specifications *

Finish	Stainless steel
Dimensions	598 (W) x 550 (D) x 845mm (H)
Water Rating	4.5 stars
Energy Rating	3.5 stars
Controls	Push button controls with LED display
Functions	8 washing programs
Features	<ul style="list-style-type: none"> 14 place settings Turbo drying Half load option Concealed heating element Foldable lower racks Height adjustable upper basket Third level cutlery drawer Aquasafe flood protection Delay start
Options	Door panel with handle
Warranty	3 years

*Specifications and product size may change without notice. Shinda International is not responsible for any errors or omissions.

All dimensions and images are for illustrative purposes and cut-outs should be based on physical product measurements.