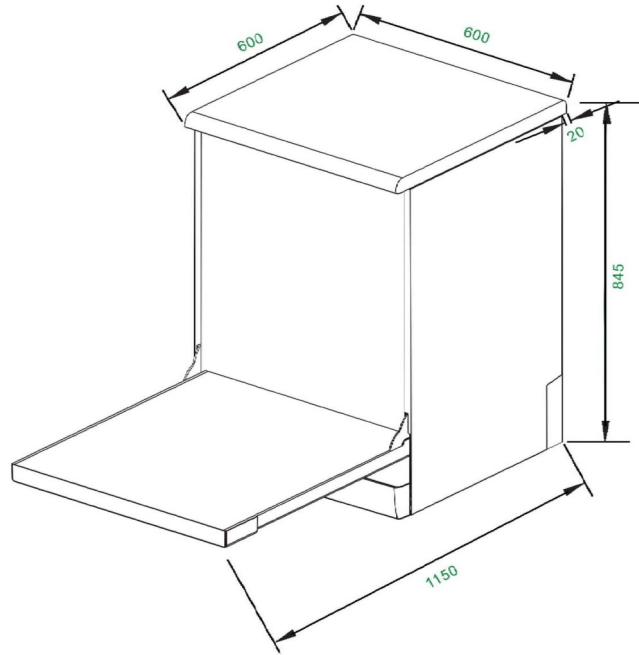


Dishwasher – DW355DGS



Product Specifications *

| | |
|---------------|---|
| Finish | Stainless steel |
| Dimensions | 600 (W) x 600 (D) x 845mm (H) |
| Water Rating | 4 stars |
| Energy Rating | 3 stars |
| Controls | Electronic touch with LCD display |
| Functions | 6 washing programs |
| Features | <ul style="list-style-type: none"> 14 place settings Third level cutlery drawer Concealed heating element Foldable lower racks Height adjustable upper basket Aquasafe flood protection Removable top cover Delay start Child lock |
| Warranty | 3 years |

*Specifications and product size may change without notice. Shinda International is not responsible for any errors or omissions.
All dimensions and images are for illustrative purposes and cut-outs should be based on physical product measurements.