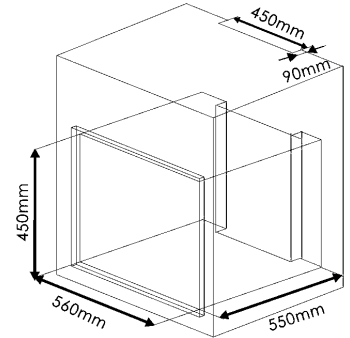
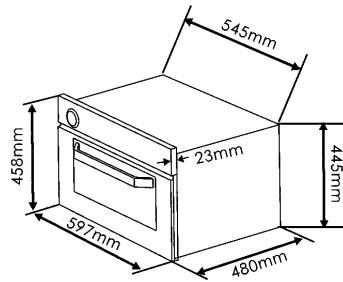


## Built in Combi Steam Oven – CSO45BBI



### Product Specifications \*

Finish—Exterior	Black glass
Finish— Interior	Full stainless steel Triple glazed door
Dimensions	597 x 480 x 458mm (product)
Capacity	45L
Power Source	15amp plug in
Standard Accessories	1 x stainless steel rack 1 x stainless steel perforated tray 1 x stainless steel solid tray
Levels	3 Levels
Features	Steam, Fan Forced and Grill functions Programmable cooking functions Digital touch LCD controls Water reservoir can be topped up during use Soft opening water filling mechanism Warning alarm when reservoir is full or near empty Auto shut off when oven door is opened Child lock
Warranty	3 years

\*Specifications and product size may change without notice. Shinda International is not responsible for any errors or omissions.

All dimensions and images are for illustrative purposes and cut-outs should be based on physical product measurements.