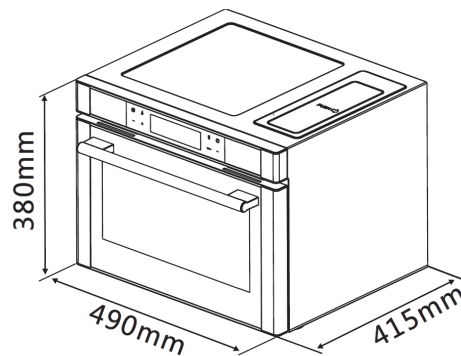


Freestanding Combi Steam Oven – CSO28SBFS / CSO28ABFS / CSO28RBFS



Product Specifications *

Finish— Interior	Full stainless steel Triple glazed door
Dimensions	490 x 415 x 380mm
Capacity	28L
Power Source	10amp plug in
Standard Accessories	1 x stainless steel rack 1 x stainless steel perforated tray 1 x stainless steel solid tray
Levels	3 Levels
Features	Steam, High Temperature Steam, Steam Assist, Bake and Grill Functions Tabletop design Programmable cooking functions Digital touch LCD controls Top opening water reservoir Water reservoir can be topped up during use Warning alarm when reservoir is full or near empty Auto shut off when oven door is opened Child lock
Warranty	3 years

*Specifications and product size may change without notice. Shinda International is not responsible for any errors or omissions.

All dimensions and images are for illustrative purposes and cut-outs should be based on physical product measurements.