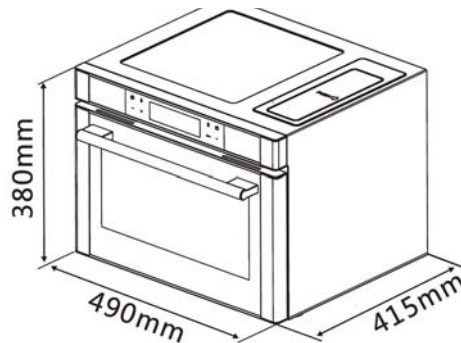


## Freestanding Combi Steam Oven – CSO28SBFS / CSO28ABFS / CSO28RBFS



### Product Specifications \*

|                      |  |
|----------------------|--|
| Finish— Interior     | Full stainless steel   |
| Dimensions           | 490 x 415 x 380mm  |
| Capacity             | 28L  |
| Power Source         | 10amp plug in  |
| Standard Accessories | 1 x stainless steel rack<br>1 x stainless steel perforated tray<br>1 x stainless steel solid tray  |
| Levels               | 3 Levels   |
| Features             | Steam, High Temperature Steam, Steam Assist, Bake and Grill Functions<br>Tabletop design<br>Programmable cooking functions<br>Digital touch LCD controls<br>Top opening water reservoir<br>Water reservoir can be topped up during use<br>Warning alarm when reservoir is full or near empty<br>Auto shut off when oven door is opened<br>Child lock |
| Warranty             | 3 years  |

\*Specifications and product size may change without notice. Shinda International is not responsible for any errors or omissions.

All dimensions and images are for illustrative purposes and cut-outs should be based on physical product measurements.